

**BEST-RITE**®

Since 1950

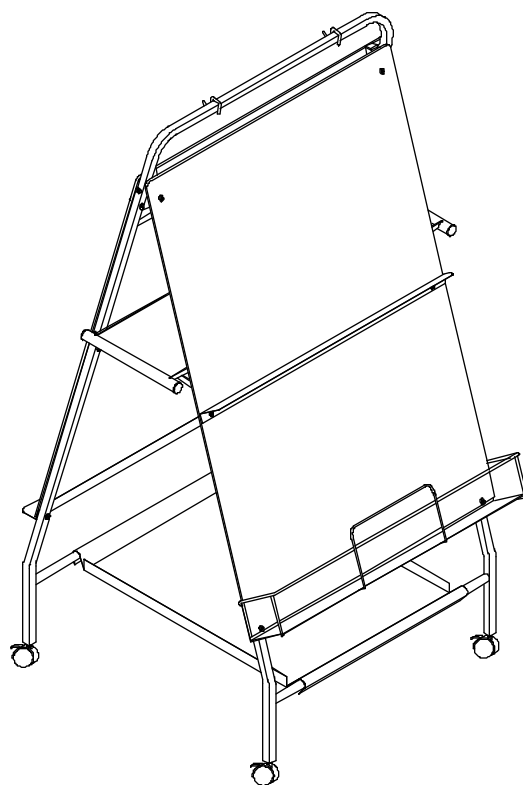
*“It’s A Better Board”*

[www.bestrite.com](http://www.bestrite.com)

## Baby Folding Wheasel®

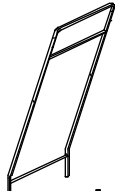
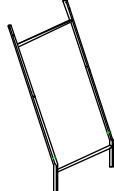


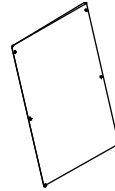
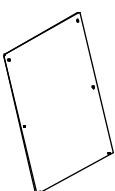
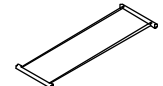
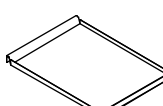
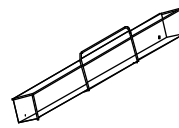

### 784

Foldable Easel on Wheels w/ Book Rack and  
Shelves

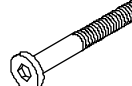






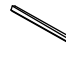



# Assembly Instructions

# Baby Folding Wheasel<sup>®</sup> (Foldable Easel on Wheels)

Part	Drawing	Description	Qty
P-1		Leg (wide)	1 EA
P-2		Leg (narrow)	1 EA
P-3		Side Hinge	2 EA
P-4		Board Tray	2 EA
P-5		Marker Board (wide leg)	1 EA
P-6		Marker Board (narrow leg)	1 EA
P-7		Top Shelf	1 EA
P-8		Bottom Shelf	1 EA
P-9		Wire Book Rack	1 EA
P-10		Flip Chart Hook	2 EA

### Hardware List

A		2" Socket Screw	2 EA
B		1 1/4" Socket Screw	4 EA
C		5/8" Socket Screw	12 EA
D		Screw Post	12 EA
E		Flat Washer	6 EA
F		Lock Nut	6 EA
G		2" Locking Caster	4 EA
H		Allen Wrench	2 EA
I		Caster Wrench	1 EA

**Tool required:** Adjustable Crescent Wrench

***Should you require assistance during assembly, please call our Customer Service Department Monday - Friday 8 a.m. - 5 p.m. Central Standard Time Toll-Free Customer Service***

**1-800-749-2258**

# Baby Folding Wheasel<sup>®</sup>

## Assembly Instructions

**READ THROUGH INSTRUCTIONS FROM BEGINNING TO END BEFORE STARTING TO ASSEMBLE UNIT.**

### To Assemble:

1. Identify and Separate all the Parts and Hardware.
2. Assemble Legs (P-1) and (P-2) at the top by using 2" Socket Screws (A). Place the Flat Washer (E) in between the legs and tighten the Lock Nut (F). Hold with the Adjustable Crescent Wrench and rotate the Socket Screw (A) with Allen Wrench (H). See illustrations #1 and #1a.

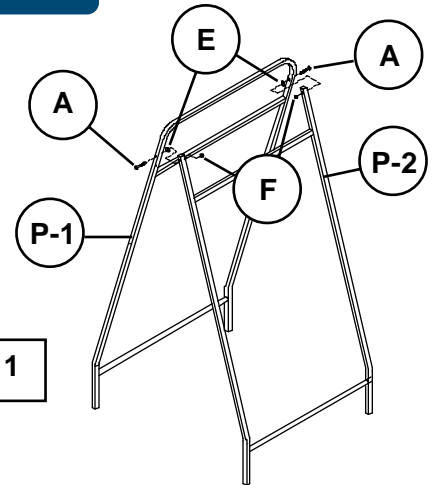


Illustration # 1

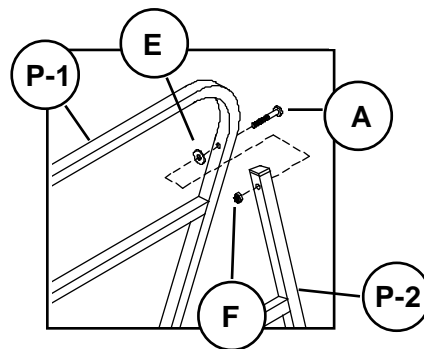


Illustration # 1a

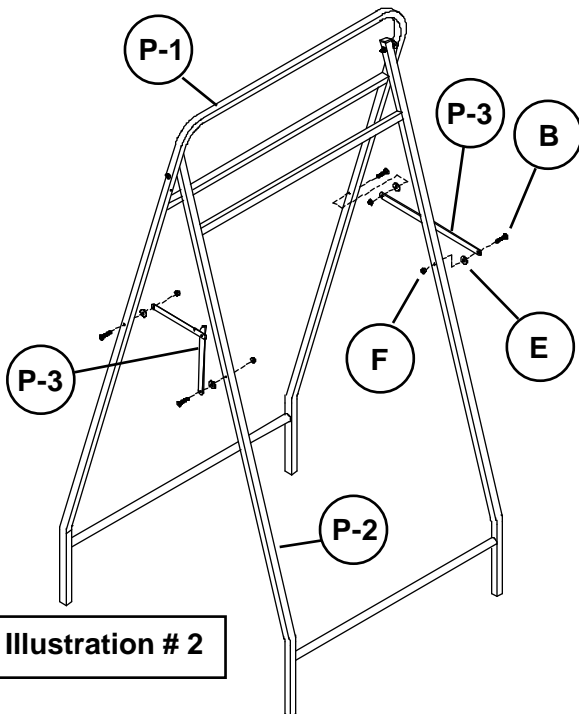
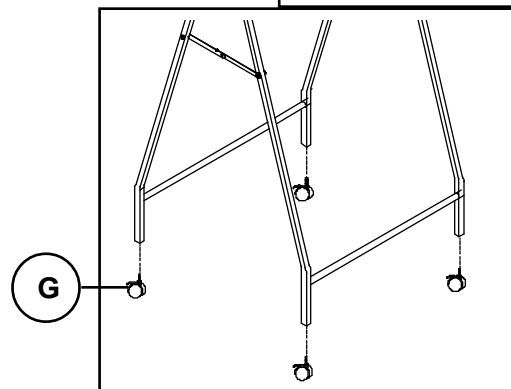


Illustration # 2

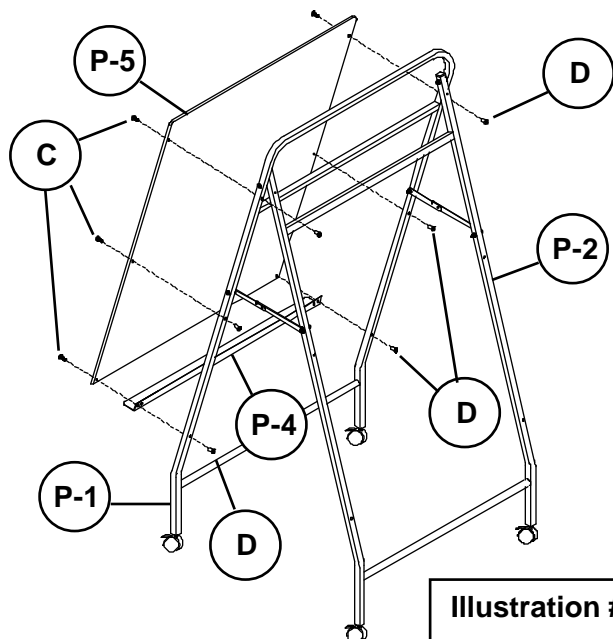
3. Assemble Side Hinges (P-3) by using 1 1/4" Socket Screw (B). Place the Flat Washer (E) in between the Side Hinge (P-3) and legs and fasten from inside with Lock Nut (F). Tighten by holding the Lock Nut (F) with the Adjustable Crescent Wrench and turn the 1 1/4" Socket Screw (B) with Allen Wrench (H). See illustrations #2.

Illustration # 3

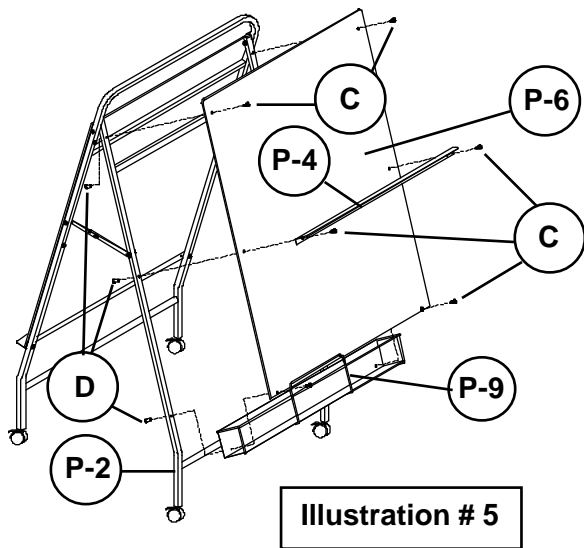


4. Assemble Casters (G) by turning the unit to it's side and fasten by using Caster Wrench (I). See illustrations #3.

- Assemble Marker Board (P-5) by inserting 5/8" Socket Screw (C) through the Marker Board (P-5) and through the Board Tray (P-4). Insert board and tray through the Leg (P-1). Use the Screw Post (D) from the back of the Leg (P-1) and tighten by using Allen Wrenches (H). See illustrations #4.



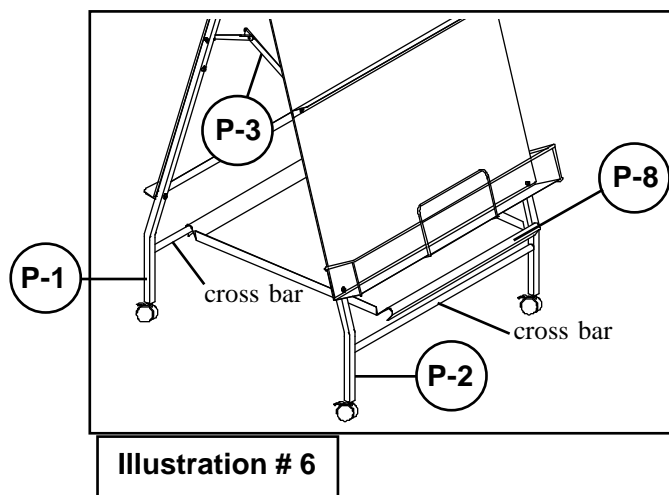
**Illustration # 4**



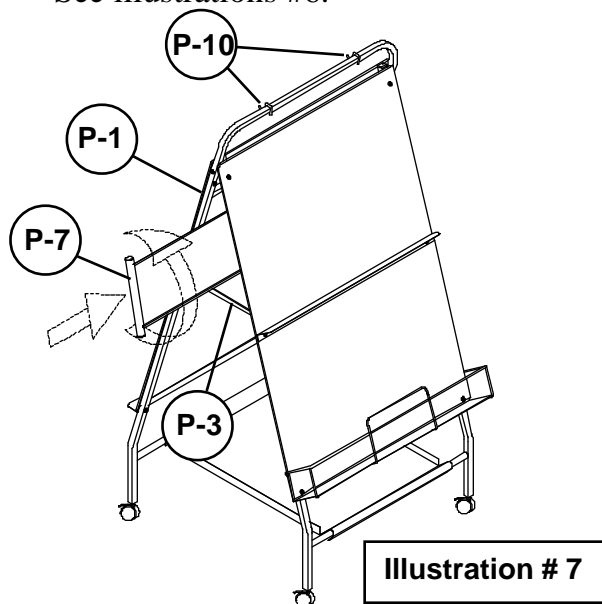
**Illustration # 5**

- Assemble Marker Board (P-6) by inserting 5/8" Socket Screw (C) through the Marker Board (P-6), and Board Tray (P-4). Insert board and tray through the Leg (P-2) in the mid section of the Board. At the bottom, slide the Wire Book Rack (P-9) in between the Leg (P-2) and the Board (P-6) and insert 5/8" Socket Screws (C) through. Fasten from the back of the leg by using Screw Posts (D) and tighten with Allen Wrench (H) . See illustrations #5.

- Fold the legs slightly by folding the Side Hinges (P-3) Place the Bottom Shelf (P-8) over cross bars on the Legs (P-1) and (P-2). Separate the legs until the two ends of the Bottom Shelf (P-8) cover the cross bars. At this time the side hinges (P-3) are fully open. See illustrations #6.



**Illustration # 6**



**Illustration # 7**

- Place the Top Shelf (P-7) by simply turning the shelf and sliding through the legs. Top Shelf (P-7) should rest over the Side Hinges (P-3). To place the Flip Chart Hooks (P-8) simply set the hooks over the top of the Leg (P-1) tube. See illustrations #7.