

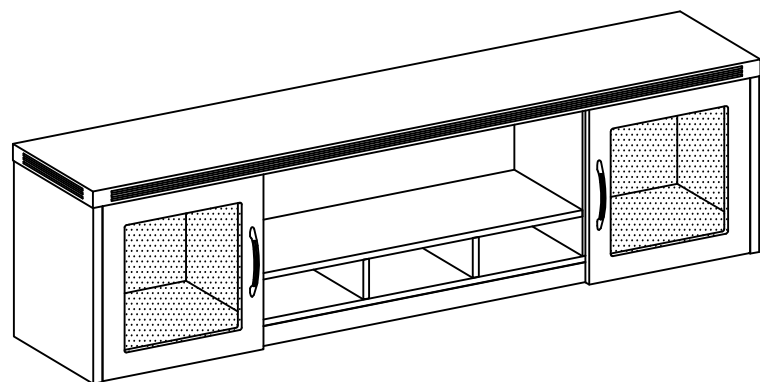
**realoffice**

**MAYLINE**

**Aberdeen Series™**

**Wall Mount Hutch with Glass Doors**

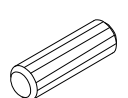
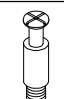
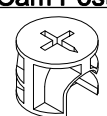

**Model No.AWG72**






**ASSEMBLY INSTRUCTIONS**

**CALL 1-800-822-8037 FOR ASSISTANCE**

# PARTS LIST







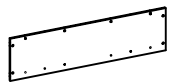






Name	Part	Qty.	Spare Qty
<b>A</b>	 <b>REALS004</b> Wood Dowel	<b>42</b>	<b>4</b>
<b>B</b>	 <b>REALS003</b> Cam Post	<b>42</b>	<b>4</b>
<b>C</b>	 <b>REALS001</b> Cam Fastener	<b>42</b>	<b>4</b>
<b>D</b>	 <b>REALS102**</b> Cam Sticker	<b>46</b>	<b>4</b>

Name	Part	Qty.	Spare Qty
<b>E</b>	 <b>REALS046</b> Ø4 x 25mm	<b>8</b>	
<b>F</b>	 <b>REALS191</b> Handle w/ Screws	<b>2</b>	
	 <b>AWGHB</b>		

Items with HB are in hardware box.

\*\*Denotes Color Code

# PARTS LIST

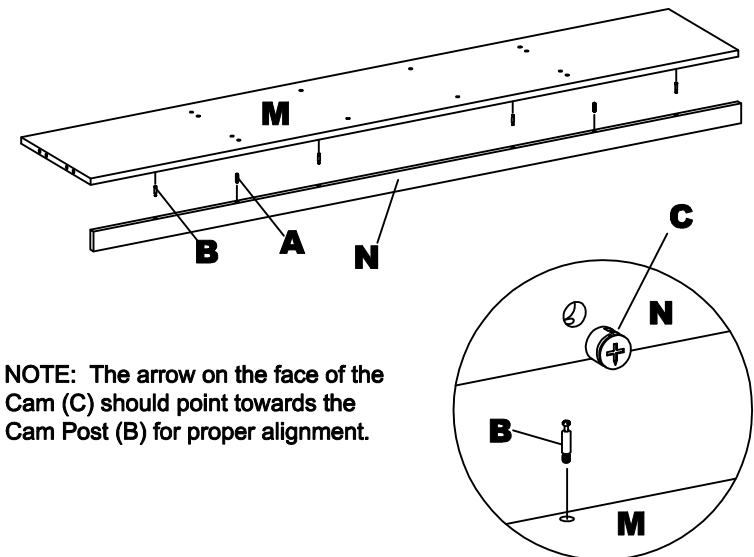
Name	Part	Qty.	Name	Part	Qty.
<b>L</b>	 <b>AWG72L**</b> Top	<b>1</b>	<b>T</b>	 <b>AWGT**</b> Left Divider	<b>1</b>
<b>M</b>	 <b>AWG72M**</b> Bottom Panel	<b>2</b>	<b>U</b>	 <b>AWGU**</b> Right Divider	<b>1</b>
<b>N</b>	 <b>AWG72N**</b> Front Fascia	<b>1</b>	<b>V</b>	 <b>AWG72V**</b> Center Shelf	<b>1</b>
<b>P</b>	 <b>AWG72P**</b> Back Panel	<b>1</b>	<b>W</b>	 <b>AWGW**</b> Paper Divider	<b>2</b>
<b>Q</b>	 <b>AWGQ**</b> Left Side Panel	<b>1</b>	<b>X</b>	 <b>AWG72X</b> Mounting Board	<b>1</b>
<b>R</b>	 <b>AWGR**</b> Right Side Panel	<b>1</b>	<b>Y</b>	 <b>AWG72Y</b> Wall Mounting Board	<b>1</b>
<b>S</b>	 <b>AWG72S**</b> Door	<b>2</b>			

\*\*Denotes Color Code

## IMPORTANT!

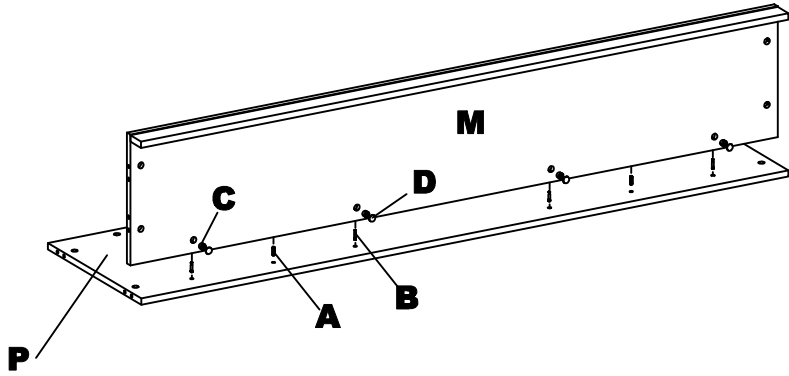
**Review ALL instructions before beginning assembly.** These instructions are provided to avoid problems that may occur from improper assembly or installation. Mayline and/or its distributor are not responsible for failure resulting from improper assembly or installation of this product. Moreover, all warranties are void for failure to follow these assembly instructions.

- 1 Install Cam Posts (B) into threaded inserts in Shelf (M). Insert Wood Dowels (A) and Cams (C) into Front Fascia (N). Secure boards by locking Cams (C).

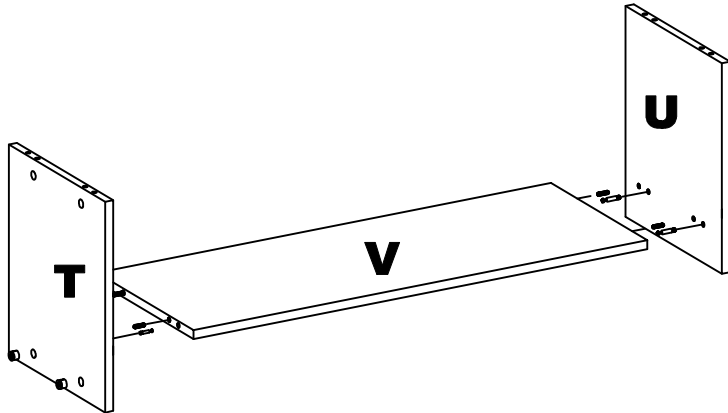


NOTE: The arrow on the face of the Cam (C) should point towards the Cam Post (B) for proper alignment.

- 2** Install Cam Posts (B) into the threaded inserts in Back Panel (P). Insert Wood Dowels (A) and Cams (C) into Shelf (M). Secure boards by locking Cams (C).

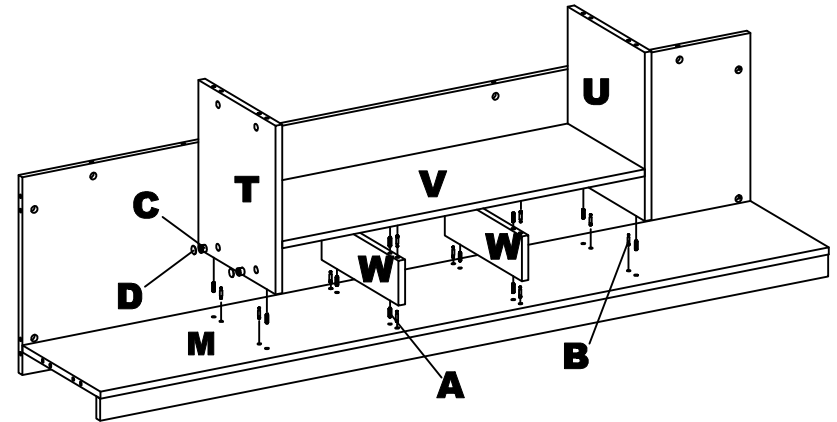


- 3** Install Cam Posts (B) into threaded inserts in Left and Right Dividers (T, U). Insert Wood Dowels (A) and Cams (C) into the end of the Center Shelf (V). Secure boards by locking Cams (C).



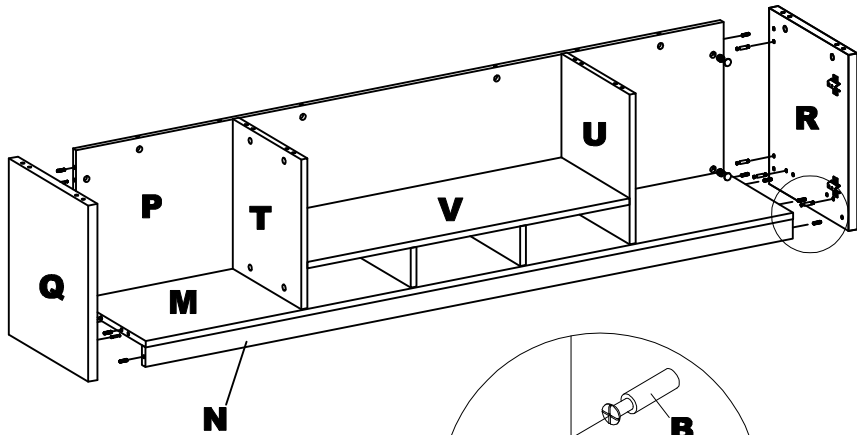
**4**

- 4** Install Cam Posts (B) into threaded inserts in Shelf (M) and Center Shelf (V). Insert Wood Dowels (A) and Cams (C) into Left and Right Dividers (T, U) and Paper Dividers (W). Secure boards by locking Cams (C).

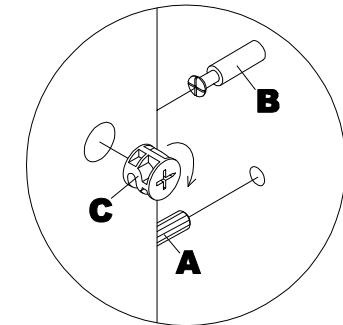


**5**

- 5** Install Cam Posts (B) into the threaded inserts in the Left and Right End Panels (Q, R). Insert Wood Dowels (A) and Cams (C) into Shelf (M), Back Panel (P) and Front Fascia (N). Secure boards by locking Cams (C).

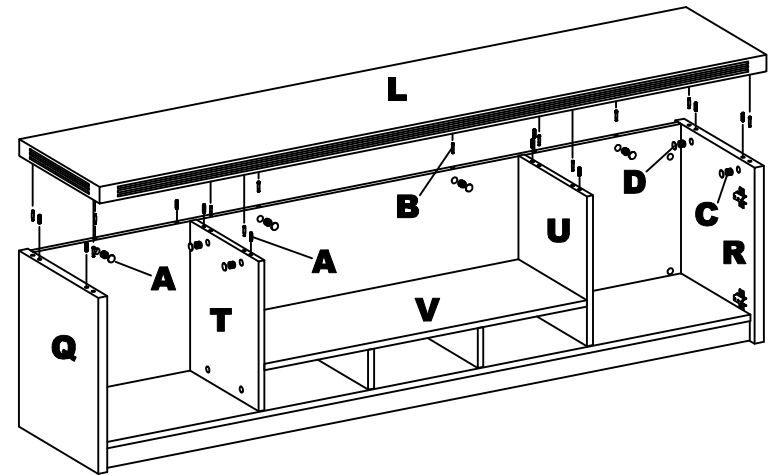


**NOTE:** The arrow on the face of the Cam (C) should point towards the Cam Post (B) for proper alignment.



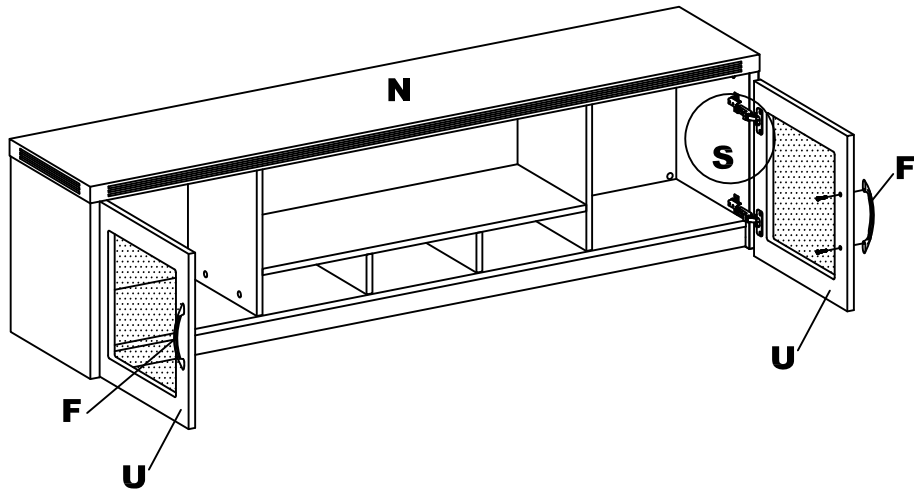
**6**

- 6** Install Cam Posts (B) into threaded inserts in the Top (L). Insert Wood Dowels (A) and Cams (C) into the top of Left and Right Side Panels (Q, R), Right and Left Dividers (T, U) and Back Panel (P). Secure boards by locking Cams (C). Apply Cam Stickers (D) to all Cams (C).

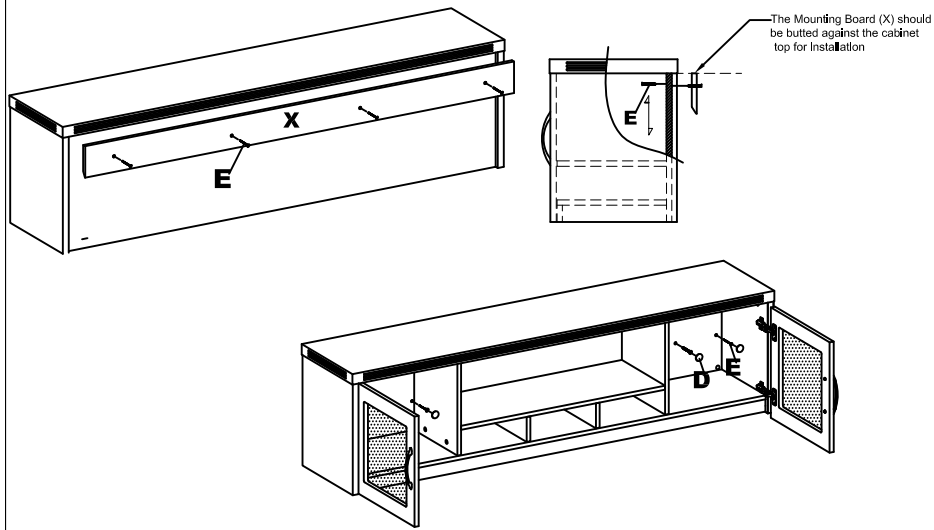


**7**

- 7** Install Doors (U) into Cabinet. Fasten Handle (F) to Doors (U) using screws provided.



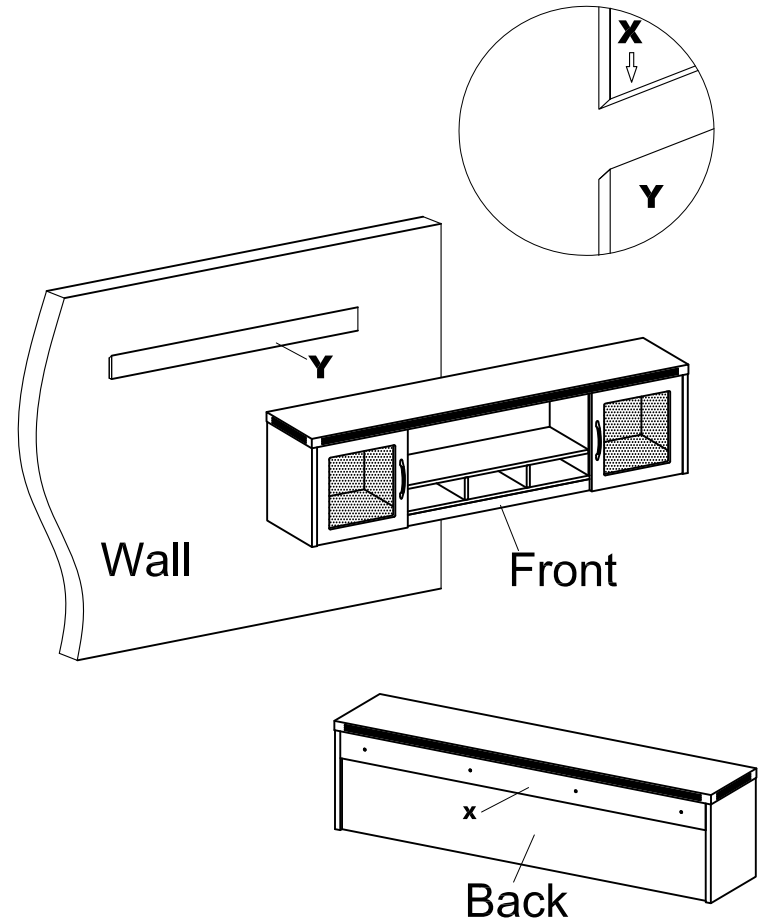
- 8** Install Mounting Board (X) to back of cabinet using Screws (E).



**8**

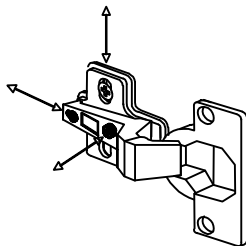
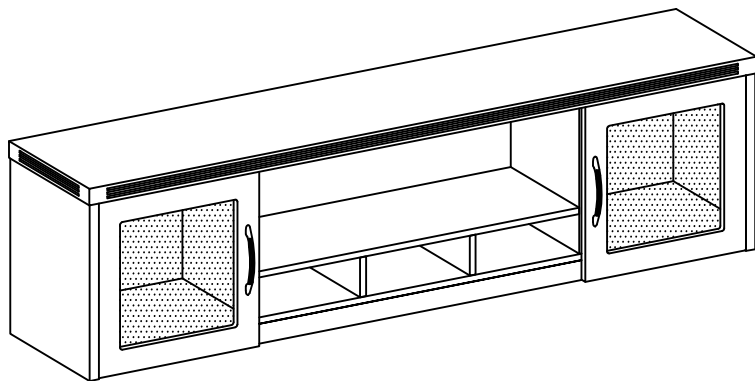
- 9** Mounting Board Installation - Due to the various wall construction methods, it is up to a professional installer to secure the Wall Mounting Board (Y) to the wall with the proper fasteners and/or anchors as required by the wall construction at the desired mounting location. Mayline does not take responsibility for safe, proper fastening.

To Hang Cabinet - Position cabinet so that Mounting Board (X) is above Wall Mounting Board (Y) and lower cabinet until Mounting Board (X) and Wall Mounting Board (Y) lock together.







**9**

**10** Adjust door alignment as necessary by using the adjustment screws on the hinges. DO NOT use Power Driver to make these adjustments.



**10**

## Pre-Installed Replacement Parts List

Part	Included Qty.	Part	Included Qty.
 <b>REALS051</b> Hinge	<b>4</b>	 <b>REALS051P</b> Hinge Plate	<b>4</b>
 <b>REALS247</b> Bumper	<b>4</b>	 <b>REALS018</b> Ø4 x 14mm	<b>16</b>

**11**