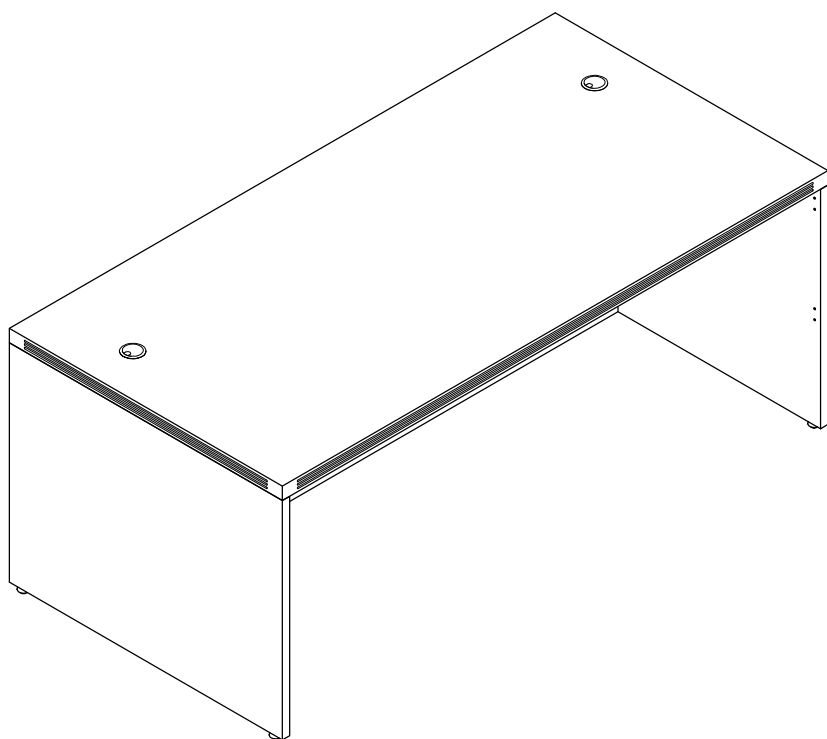


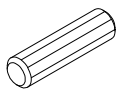

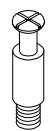
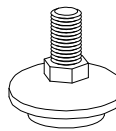
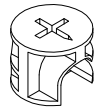
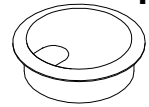
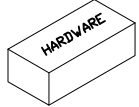
Aberdeen Series™  
Rectangular Conference Desk

Model No. ARD7236



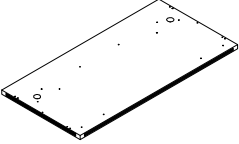
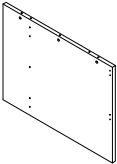
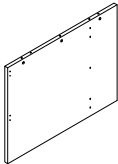
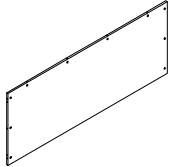
**ASSEMBLY INSTRUCTIONS**  
**CALL 1-800-822-8037 FOR ASSISTANCE**

# PARTS LIST

Name	Part	Qty.	Spare Qty	Name	Part	Qty.	Spare Qty
<b>A</b>	 <b>REALS004</b> Wood Dowel	<b>10</b>	<b>1</b>	<b>D</b>	 <b>REALS102**</b> Cam Sticker	<b>16</b>	<b>1</b>
<b>B</b>	 <b>REALS003</b> Cam Post	<b>16</b>	<b>1</b>	<b>E</b>	 <b>REALS067</b> Leveler	<b>4</b>	
<b>C</b>	 <b>REALS001</b> Cam Fastener	<b>16</b>	<b>1</b>	<b>F</b>	 <b>REAL100</b> Grommet	<b>2</b>	
	 <b>ARDHB</b>						

Items with HB are in hardware box.

# PARTS LIST

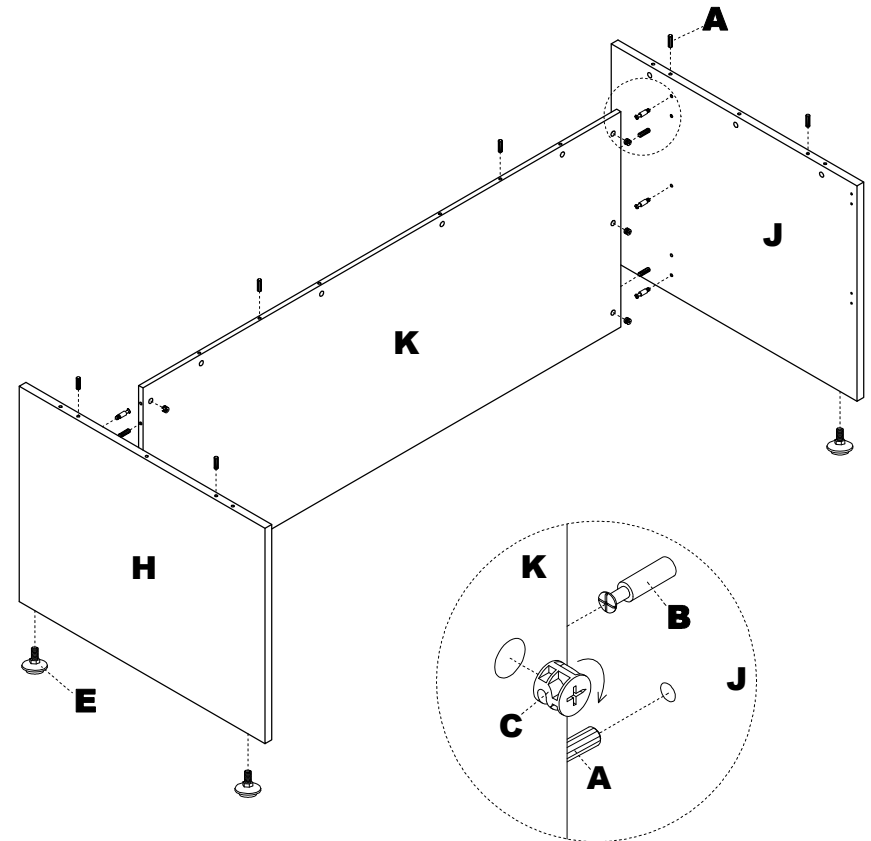
Name	Part	Qty.	Name	Part	Qty.
<b>G*</b>	 <b>ARD7236G**</b> Top	<b>1</b>	<b>J</b>	 <b>ARD36J**</b> Right Side Panel	<b>1</b>
<b>H</b>	 <b>ARD36H**</b> Left Side Panel	<b>1</b>	<b>K</b>	 <b>ARD72K**</b> Modesty Panel	<b>1</b>

\* Available in Cherry (LCR) or Mocha (LDC) finish only.

\*\*Denotes Color Code

**2**

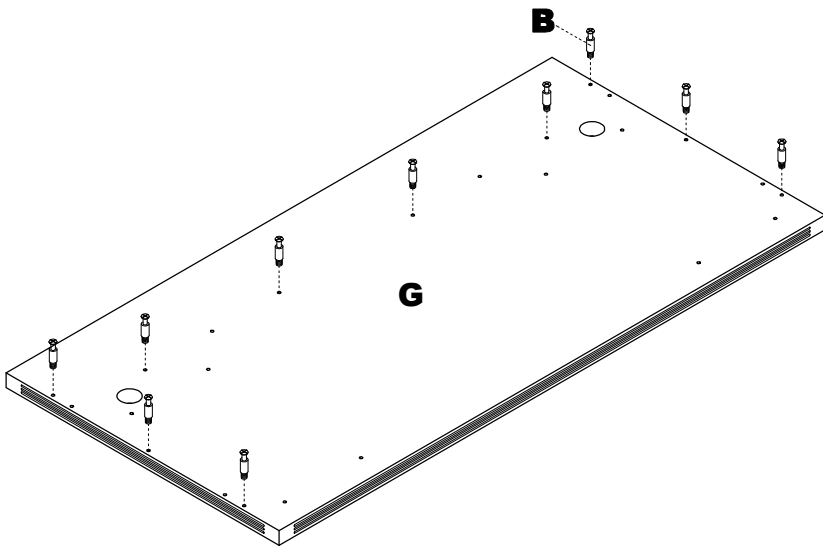
- 1** Insert Wood Dowels (A) into Modesty Panel (K) and the top of the Side Panels (H, J). Insert Cams (C) into the Modesty Panel (K) and Side panels (H, J). Install Cam Posts (B) into threaded inserts in Side Panels (H, J). Install Levelers (E) into bottom of Side Panels (H, J). Attach Modesty Panel (K) to Side Panels (H, J) by turning Cams (C).



NOTE: The arrow on the face of the Cam (C) should point towards the Cam Post (B) for proper alignment.

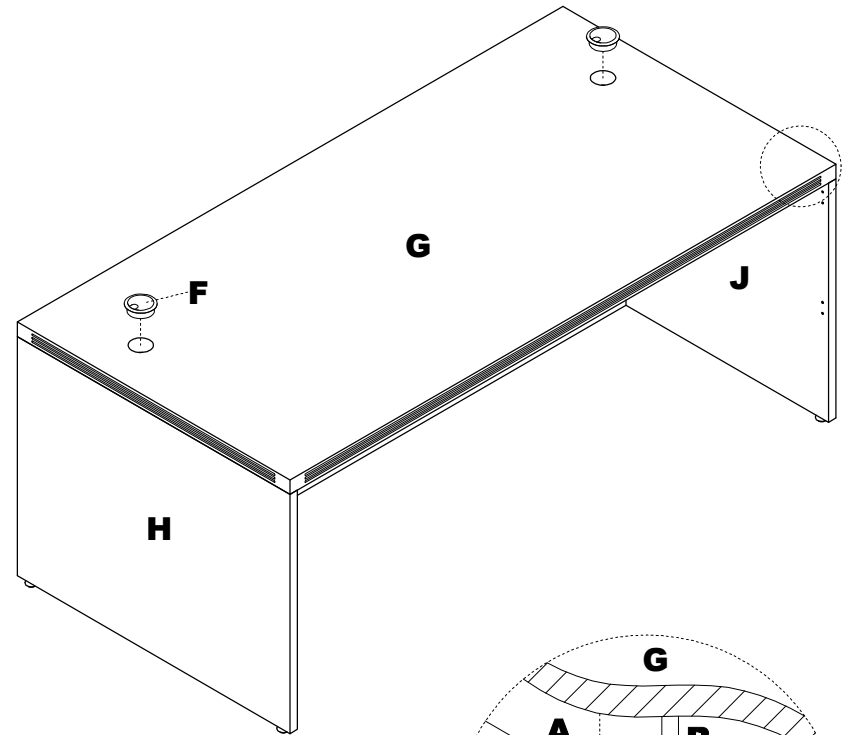
**3**

- 2** Install Cam Posts (B) into threaded inserts in underside of Top (G).



**4**

- 3** Place Top (G) onto base and lock in place by turning Cams (C). Apply Cam Stickers (D) onto Cams (C) and insert Grommets (F) into Top (G).



**5**