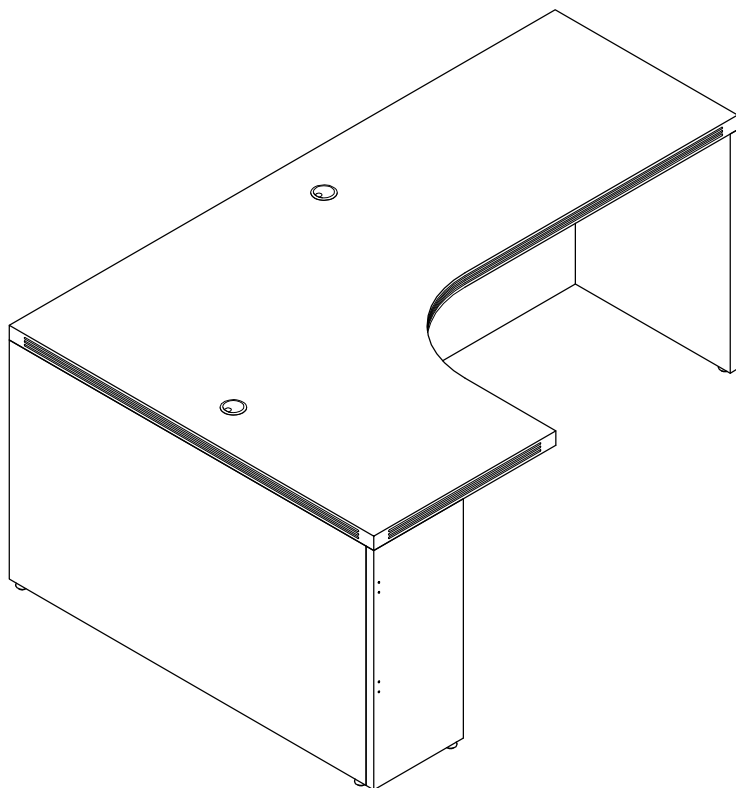
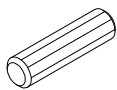
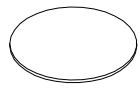
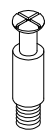
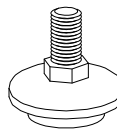
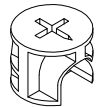
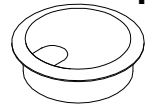
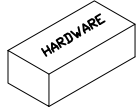


Aberdeen Series™
Extended Corner, Left
Model No. AEC72L & AEC66L



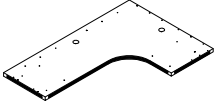
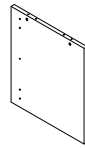
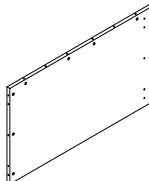
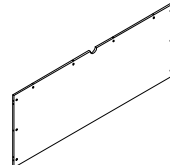
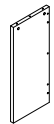
ASSEMBLY INSTRUCTIONS
CALL 1-800-822-8037 FOR ASSISTANCE

PARTS LIST

| Name | Part | Qty. | Spare Qty | Name | Part | Qty. | Spare Qty |
|----------|--|-----------|-----------|----------|---|-----------|-----------|
| A |  REALS004 Wood Dowel | 13 | 1 | D |  REALS102** Cam Sticker | 16 | 1 |
| B |  REALS003 Cam Post | 16 | 1 | E |  REALS067 Leveler | 5 | |
| C |  REALS001 Cam Fastener | 16 | 1 | F |  REAL100 Grommet | 2 | |
| |  AECHB | | | | | | |

Items with HB are in hardware box.
**Denotes Color Code

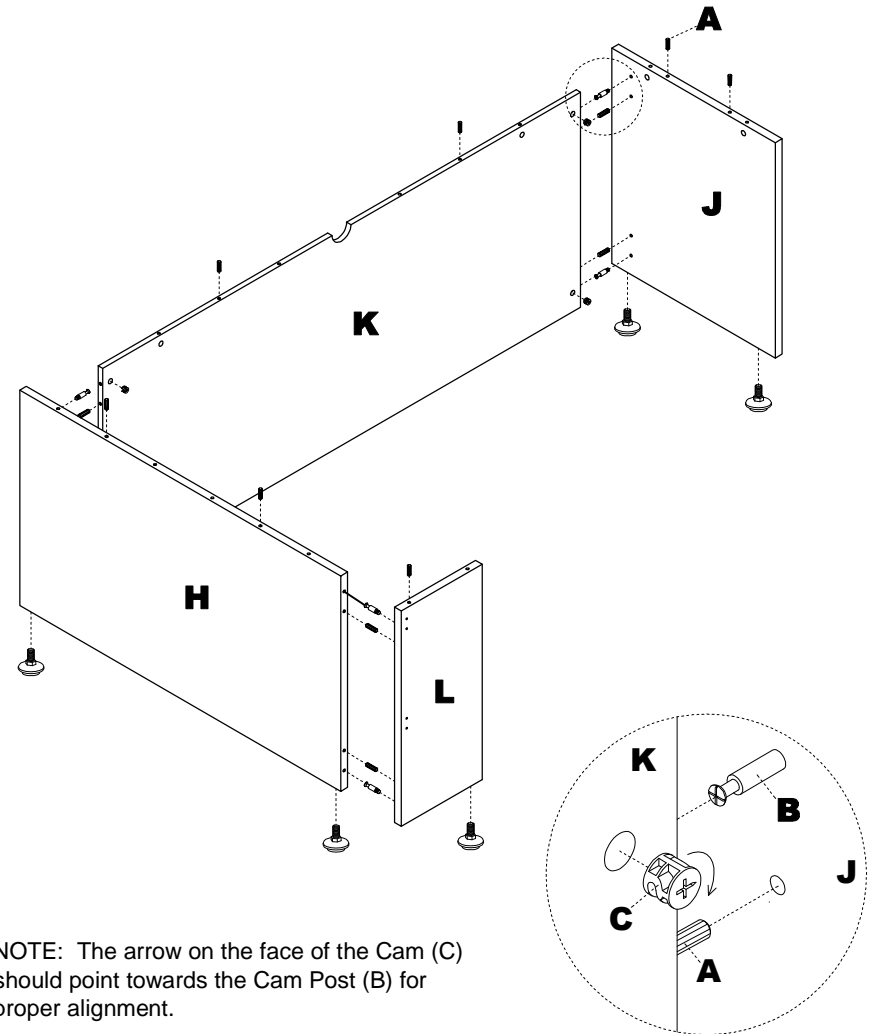
PARTS LIST

| Name | Part | Qty. | Name | Part | Qty. |
|-----------|--|----------|----------|---|----------|
| G* |  AEC~~LG** Top | 1 | J |  AECLJ** End Panel | 1 |
| H |  AECLH** Return Side Panel | 1 | K |  AEC~~K** Modesty Panel | 1 |
| | | | L |  AECLL** Small End Panel | 1 |

* Available in Cherry (LCR) or Mocha (LDC) finish only.
 **Denotes Color Code
 ~~Denotes Size (72" or 66")

2

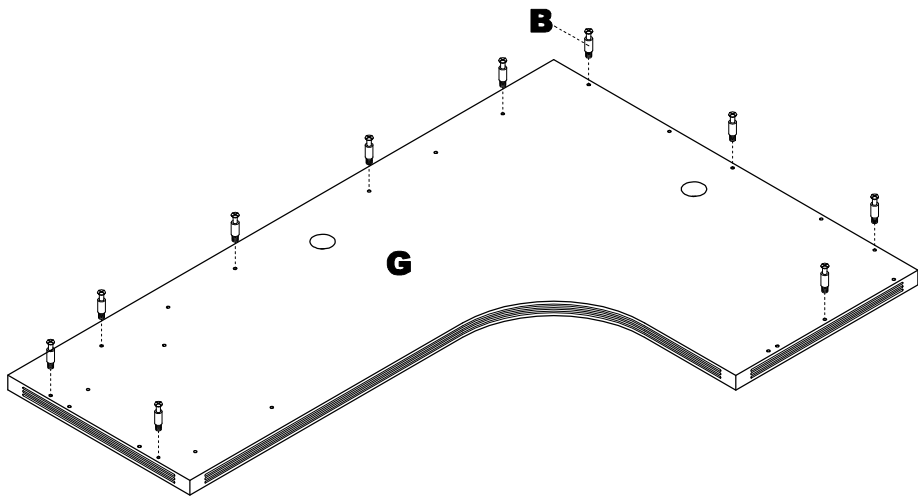
- 1** Insert Wood Dowels (A) into Modesty Panel (K), the Return Side Panel (H), the top of End Panel (J) and the top of the Small End Panel (L). Insert Cams (C) into Modesty Panel (K), Return Side Panel (H), End Panel (J) and Small End Panel (L). Install Cam Posts (B) into threaded inserts in the End panel (J), Return Side Panel (H), and Small End Panel (L). Screw Levelers (E) into bottom of Return Side panel (H), End Panel (J) and Small End Panel (L). Fasten panels together by turning Cams (C).



NOTE: The arrow on the face of the Cam (C) should point towards the Cam Post (B) for proper alignment.

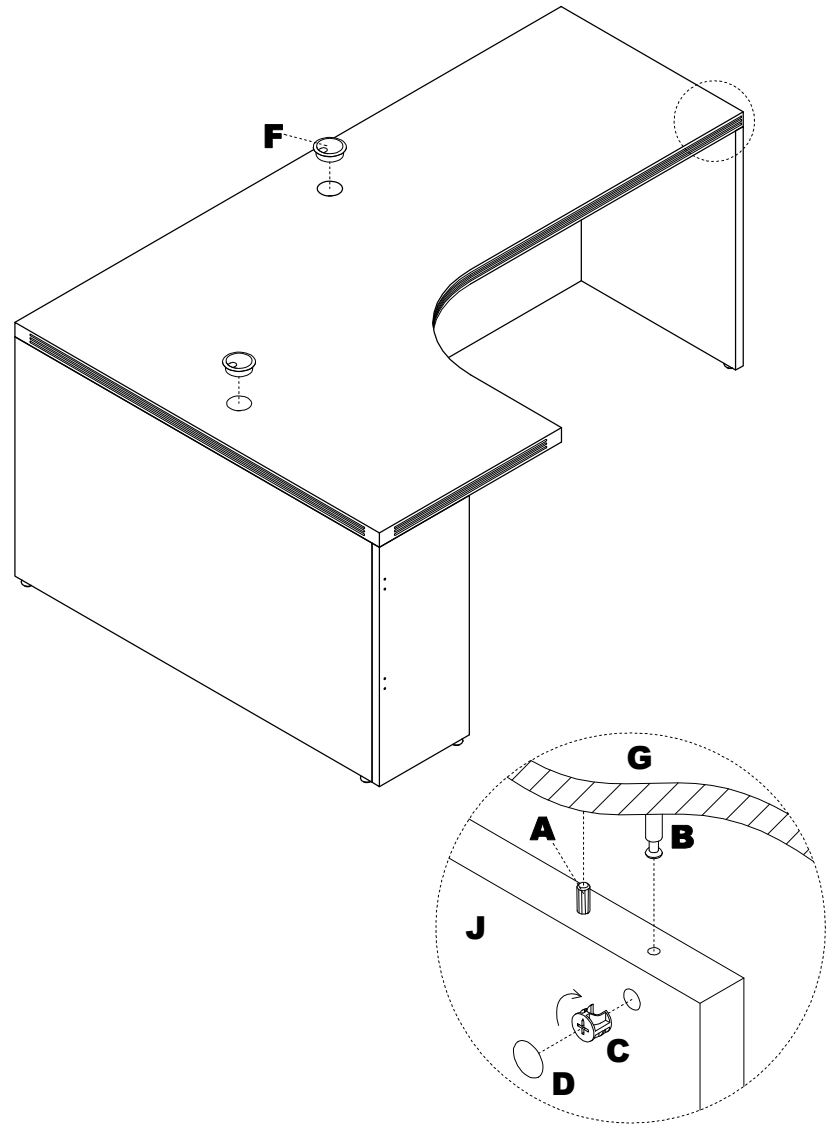
3

- 2** Install Cam Posts (B) into threaded inserts in Top (G).



4

- 3** Place top onto base and lock in place by turning Cams (C). Apply Cam Stickers (D) onto Cams (C) and insert Grommets (F) into Top (G).



5