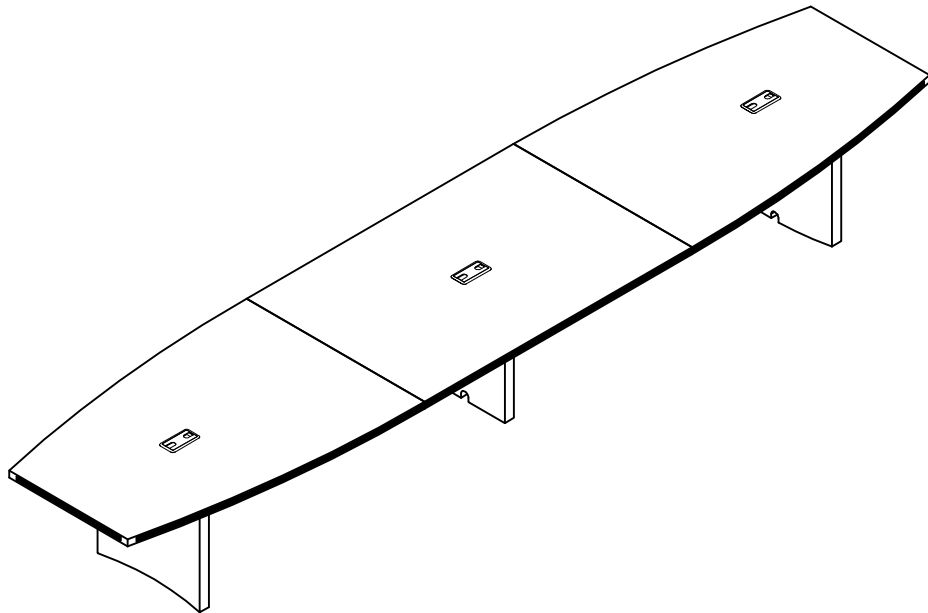
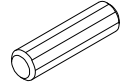
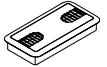
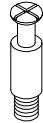
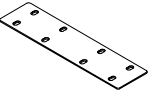
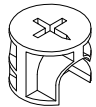
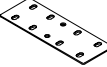


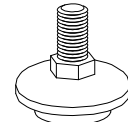
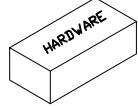


Aberdeen Series™
 Conference Table 216" x 48"
 Model No. ACTB18

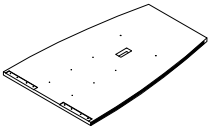
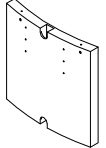
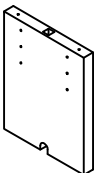
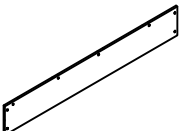
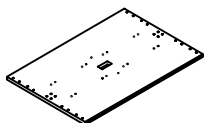


ASSEMBLY INSTRUCTIONS
 CALL 1-800-822-8037 FOR ASSISTANCE

PARTS LIST

| Name | Part | Qty. | Spare Qty | Name | Part | Qty. | Spare Qty |
|----------|---|-----------|-----------|----------|---|-----------|-----------|
| A |  REALS004 Wood Dowel | 24 | 1 | F |  REALS099 Grommet | 3 | |
| B |  REALS003 Cam Post | 38 | 2 | G |  REALS167 Plate | 4 | |
| C |  REALS001 Cam Fastener | 38 | 2 | H |  REALS118 Center Plate | 2 | |
| D |  REALS102** Cam Sticker | 38 | 2 | J |  REALS043 M6 x 15mm | 48 | 2 |
| E |  REALS067 Leveler | 6 | | |  ACBT18HB Items with HB are in hardware box | | |

PARTS LIST

| Name | Part | Qty. | Name | Part | Qty. |
|----------|---|----------|----------|--|----------|
| L |  ABT18L** Top | 2 | P |  ACLG** Table Leg | 2 |
| M |  ACLG1** Middle Table Leg | 1 | S |  ACM18** Modesty Panel | 4 |
| N |  ABT18N** Middle Top | 1 | | | |

Items with HB are in the hardware box

**Denotes Color Code

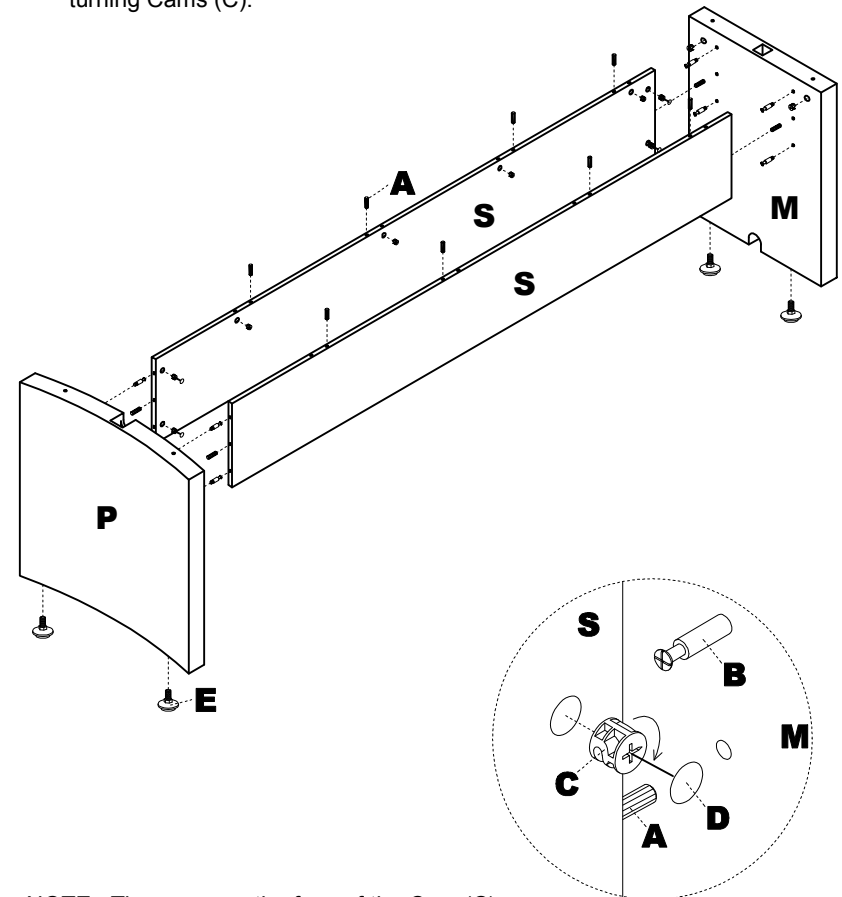
IMPORTANT!

Review ALL instructions before beginning assembly. These instructions are provided to avoid problems that may occur from improper assembly or installation. Mayline and/or its distributor are not responsible for failure resulting from improper assembly or installation of this product. Moreover, all warranties are void for failure to follow these assembly instructions.

2

1 **DO NOT** assemble table with top to floor. Table must be assembled in an upright position only.

2 Insert Wood Dowels (A) and Cams (C) into top edge of each Modesty Panel (S). Insert Wood Dowels (A) and Cams (C) into the end of each Modesty Panel (S). Install Cam Posts (B) into threaded inserts in Table Legs (M&P). Install Leveler (E) and insert Cams (C) into the Table Legs (M&P). Secure Modesty Panels (S) to Table Legs (M&P) by turning Cams (C).

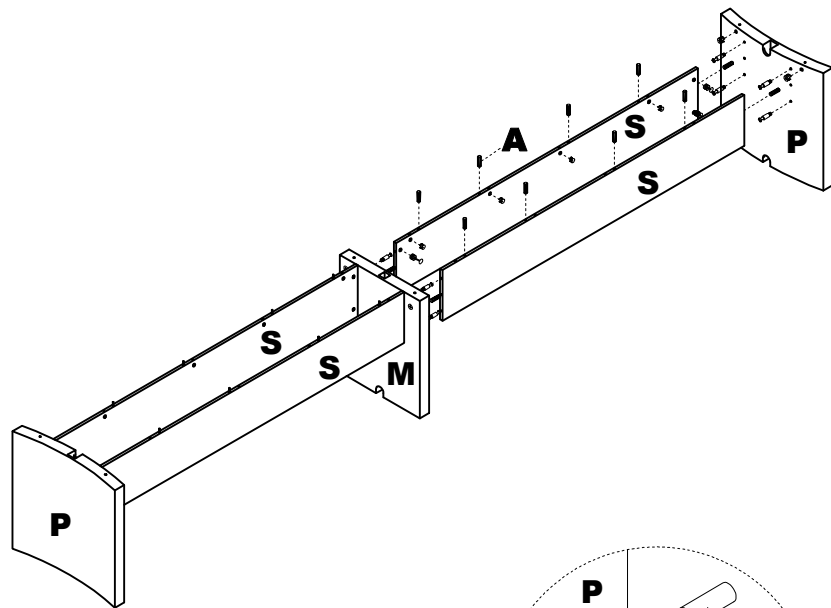


NOTE: The arrow on the face of the Cam (C) should point towards the Cam Post (B) for proper alignment.

3

3

Insert Wood Dowels (A) and Cams(C) into top edge of each Modesty Panel (S). Insert Wood Dowels (A) and Cams (C) into the end of each Modesty Panel (S). Install Cam Posts (B) into threaded inserts in Table Legs (M&P). Install Leveler (E) and insert Cams (C) into the Table Legs (M&P). Secure Modesty Panels (S) to Table Legs (M&P) by turning Cams (C).

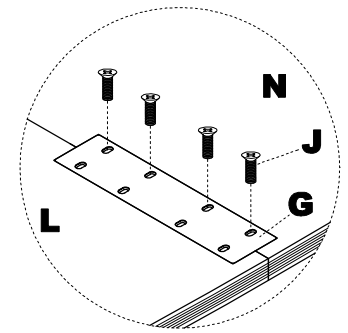
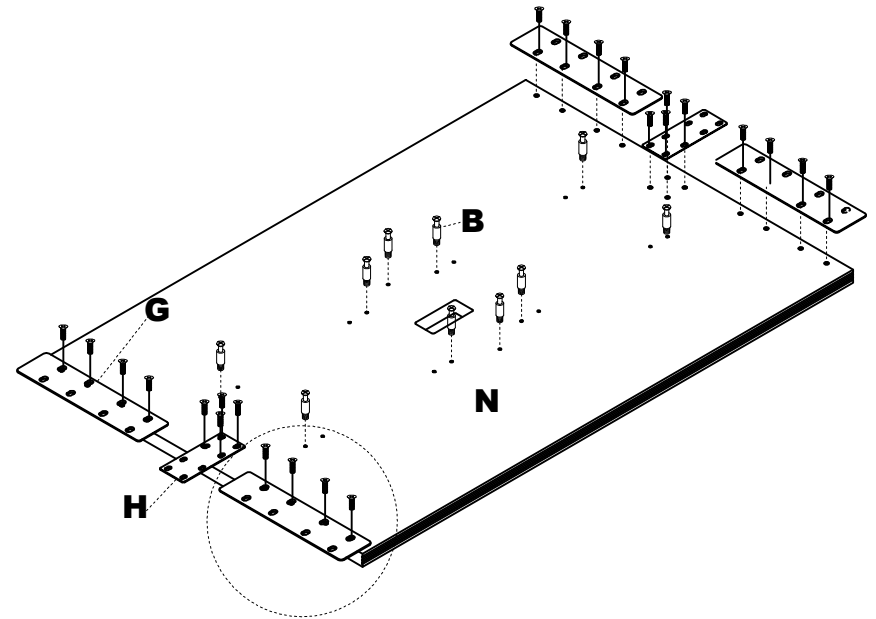


NOTE: The arrow on the face of the Cam (C) should point towards the Cam Post (B) for proper alignment.

4

4

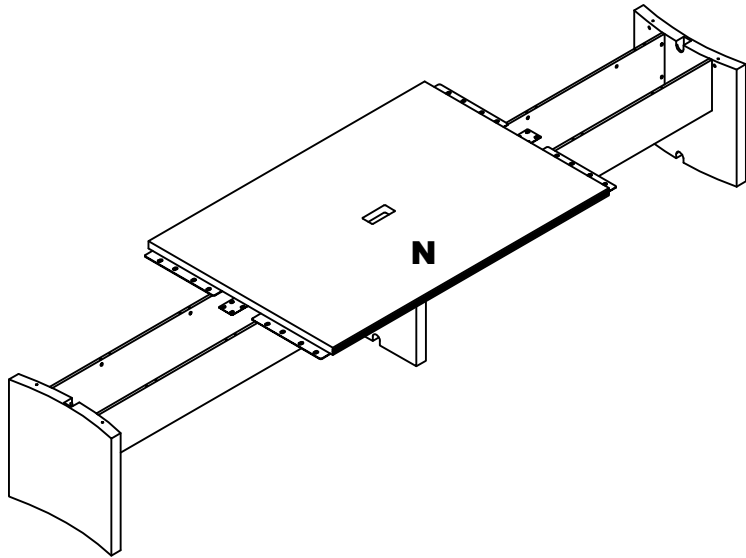
Install Cam Posts (B) into threaded inserts into the underside of each Top (N). Attach Plates (H & G) to the underside of Top (N) using Screws (J).



5

5

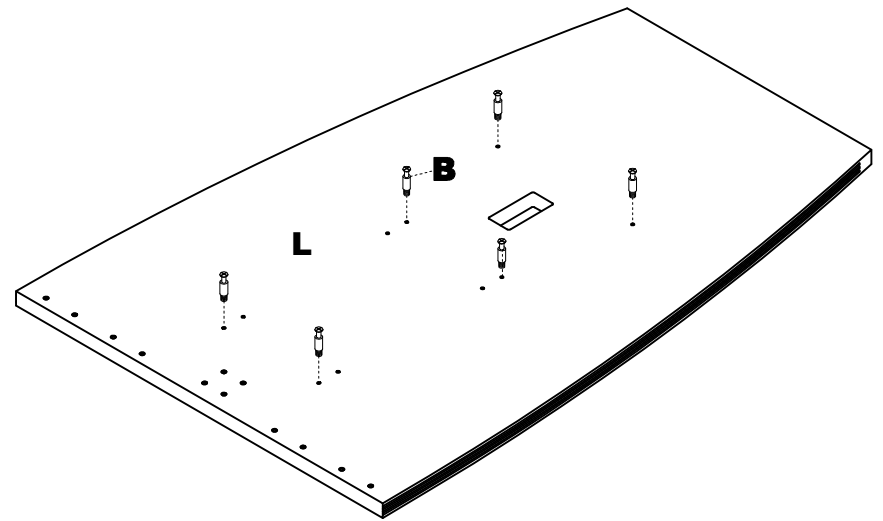
Place each Top (N) onto the base. Secure Top (N) to base by turning Cams (C). Insert Grommet (F) into Top (N). Apply Cam Stickers (D) to all exposed Cams (C).



6

6

Install Cam Posts (B) into threaded inserts into the underside of each Top (L).



7

7

Place each Top (L) onto the base. Fasten tops (L) together using Plates (G, H) and Screws (J). Secure Tops (L) to base by turning Cams (C). Insert Grommet (F) into Tops (L). Apply Cam Stickers (D) to all exposed Cams (C).

