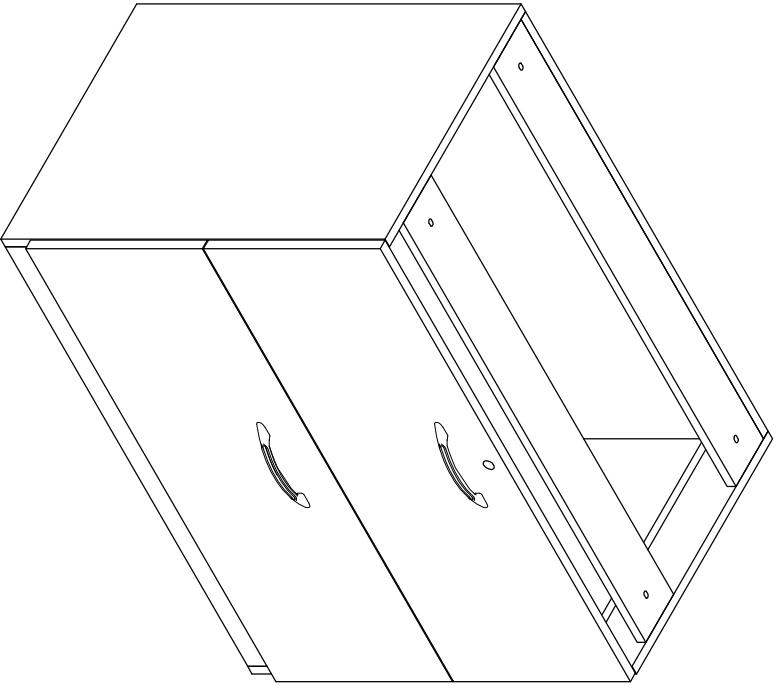


Aberdeen Series™
Credenza Lateral File, 36"
Model No. ACLF36


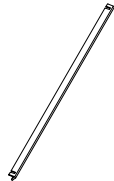




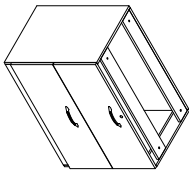
ASSEMBLY INSTRUCTIONS

CALL 1-800-822-8037 FOR ASSISTANCE

P/N **ACLF36** REV.05 02/21/08

PARTS LIST

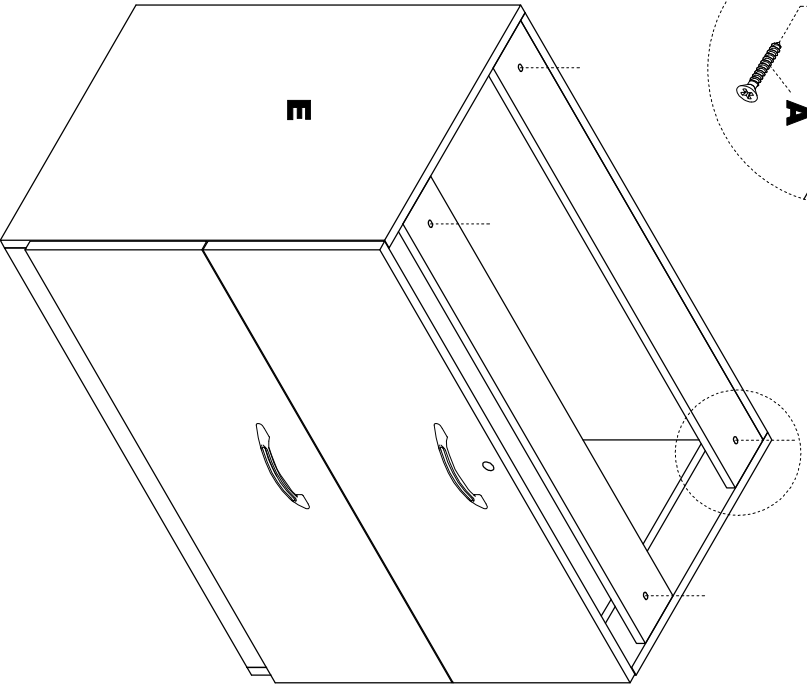
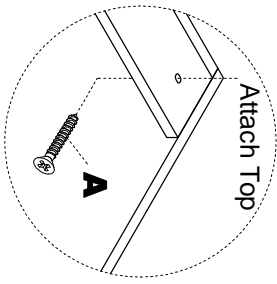
Name	Part	Qty.	Spare Qty
A	 REALS068 Ø4 x 30mm	4	1
B	 REALS138 File Hanging Bar	2	
C	 REALS209 1 Bar w/ 2 Caps	4	

Name	Part	Qty.	Spare Qty
D	 Keys	1	
E	 ACLF36** Lateral File	1	

**Denotes Color Code

1

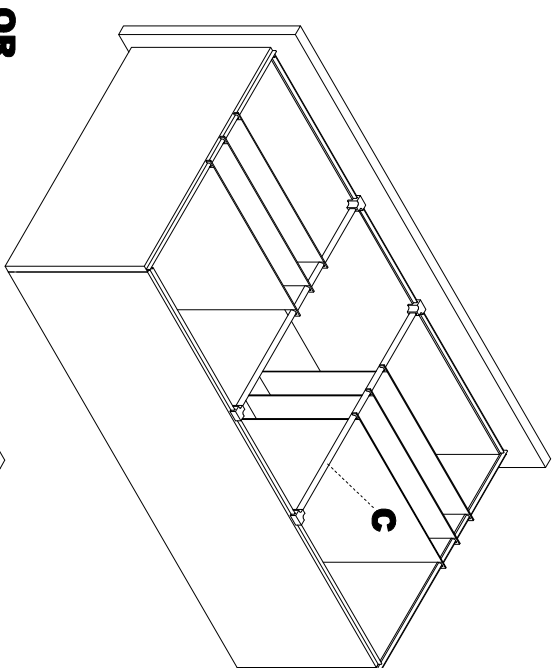
Attach Pedestal (E) to underside of Table using Screws (A).
- OR -
Slide Pedestal (E) under worksurface and adjust levelers as appropriate.



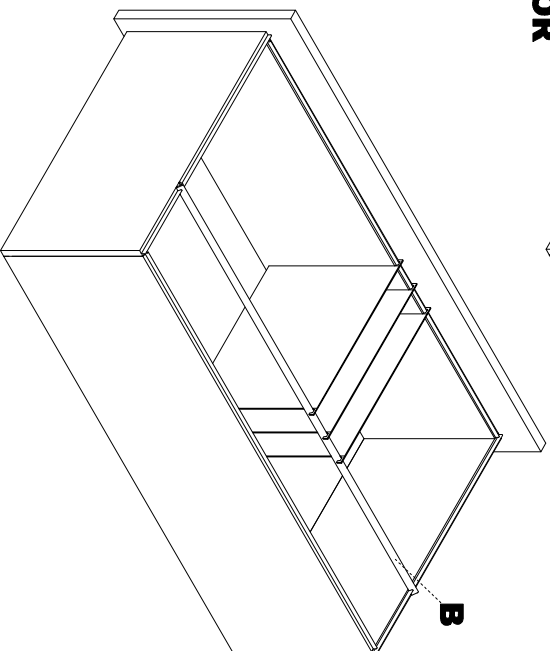
2

2

Arrange File Hangers (B or C) for filing preference.


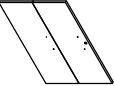
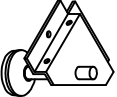
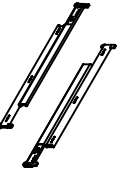
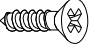
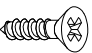


OR



3

Pre-Installed Replacement Parts List

Part	Included Qty.	Part	Included Qty.
 REALS191 Handle w/ Screws	2	 ALF36** Drawer Fronts - Set of 2	1 *
 REALS008 Corner Bracket w/ Glide	4	 REALS245 <input type="checkbox"/> Drawer Slide 18" - Pair	2
 REALS005 Ø4 x 16mm Corner Bracket Screws	24	 REALS121 Ø3 x 14mm Drawer Slide Screws	32

* Available in Cherry (LCR) or Mocha (LDC) finish only.

**Denotes Color Code

Previous drawer slide was REALS054. Change effective 1/19/08.