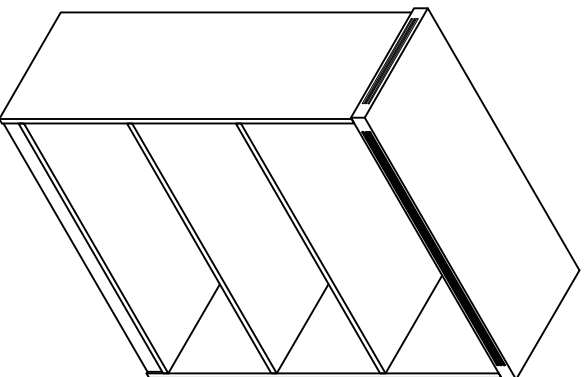


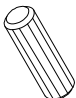
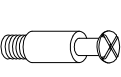



Aberdeen Series™
3 Shelf Bookcase
Model No. AB3S36




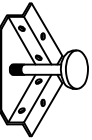




ASSEMBLY INSTRUCTIONS

CALL 1-800-822-8037 FOR ASSISTANCE

PARTS LIST

Name	Part	Qty.	Spare Qty
A	 REALS004 Wood Dowel	21	2
B	 REALS003 Cam Post	18	1
C	 REALS001 Cam Fastener	18	1
D	 REALS102** Cam Sticker	18	1
E	 REALS204 Foam Tape	5	

Items with HB are in hardware box
*For Individual Items, Order By Part Number.
**Denotes Color Code

Name	Part	Qty.	Spare Qty
F	 REALS009 Shelf Support Pin	8	1
G	 REALS008 Corner Bracket w/ Glide	4	
G1	 REALS230** Cap	4	
H1	 REALS005 Ø4 x 16mm	24	2
H2	 REALS104 Grommet	1	
	 AB3S36HB		

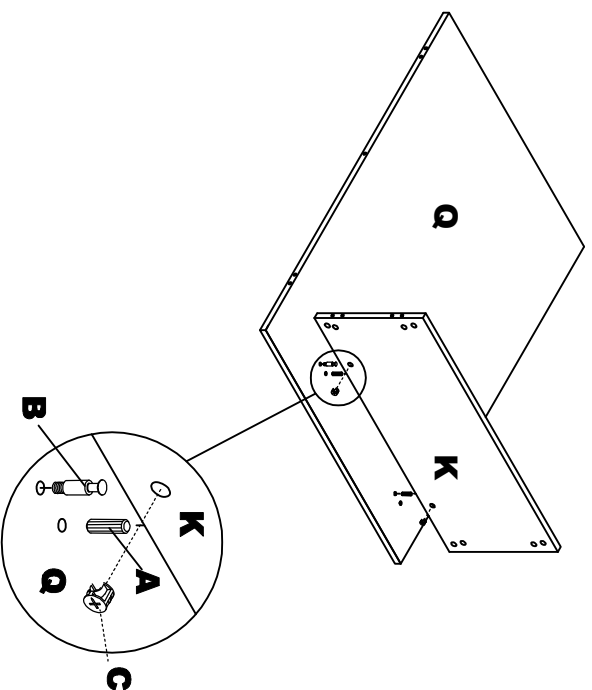
PARTS LIST

Name	Part	Qty.	Name	Part	Qty.
J*	ABS36J** Top	1	N	AB3336N** Left Side Panel	1
K*	ABS36K** Bottom	1	P	AB3336P** Right Side Panel	1
L*	ABS36L** Toe Kick	1	Q*	AB3336Q** Back Panel	1
M*	ABS36M** Shelf	2			

* Available in Cherry (LCR) or Mocha (LDC) finish only.

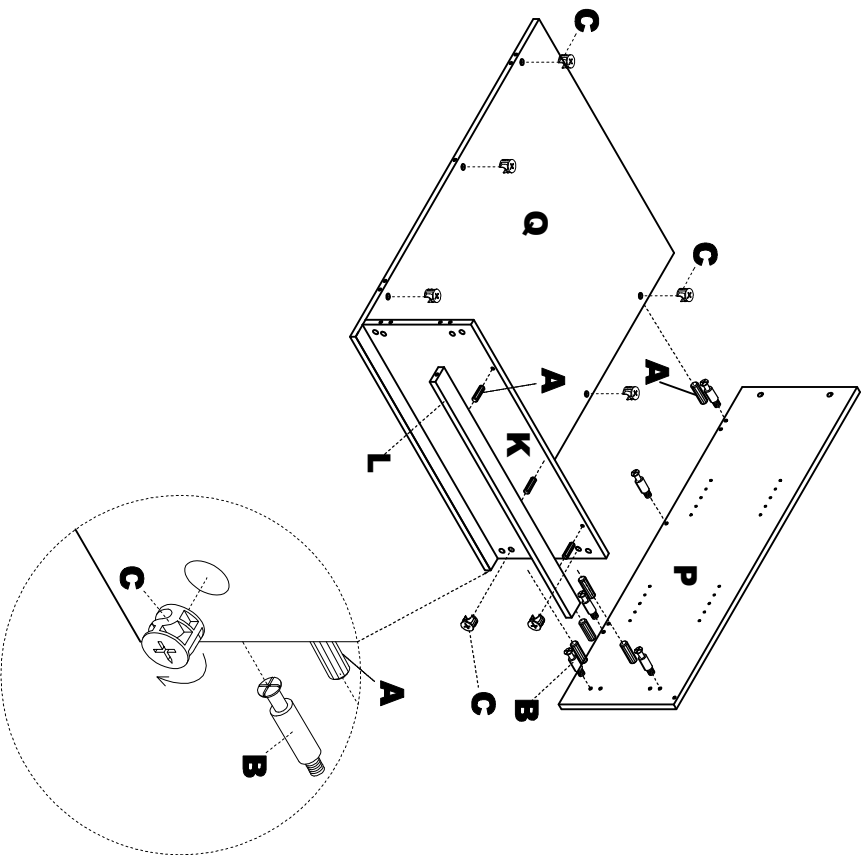
**Denotes Color Code

- 1** Insert Wood Dowels (A) into Bottom (K). Insert Cam (C) into Bottom (K). Install Cam Posts (B) into threaded inserts in Back Panel (Q). Attach Back Panel (Q) to Bottom (K) by turning Cam (C).



2

Insert Wood Dowels (A) into Back Panel (Q), Bottom (K), and Toe Kick (L). Insert Cam Posts (C) into Back Panel (Q) and Bottom (K). Install Cam Posts (B) into threaded inserts in Side Panel (P). Press Toe Kick (L) to Bottom (K). Attach Side Panel (N) to Back Panel (Q) and Bottom (K) by turning Cam Posts (C).

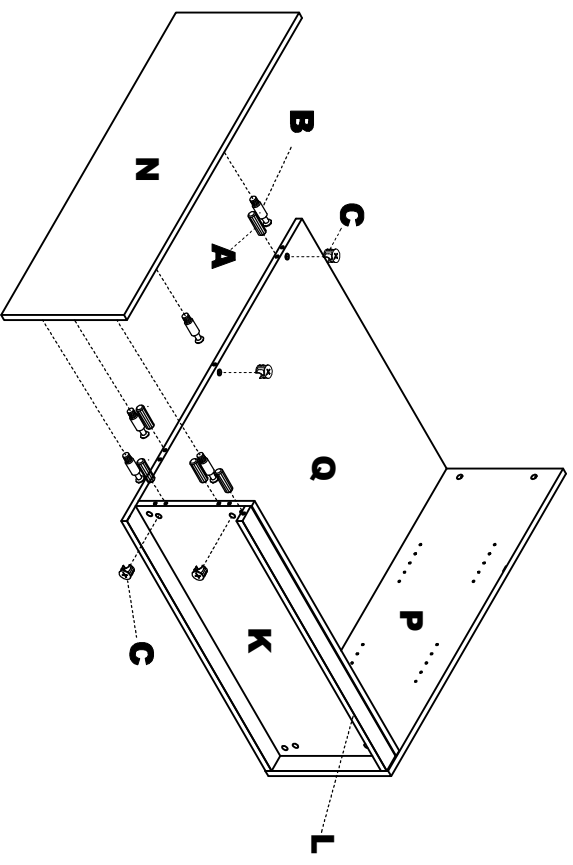


NOTE: The arrow on the face of the Cam (C) should point towards the Cam Post (B) for proper alignment.

4

3

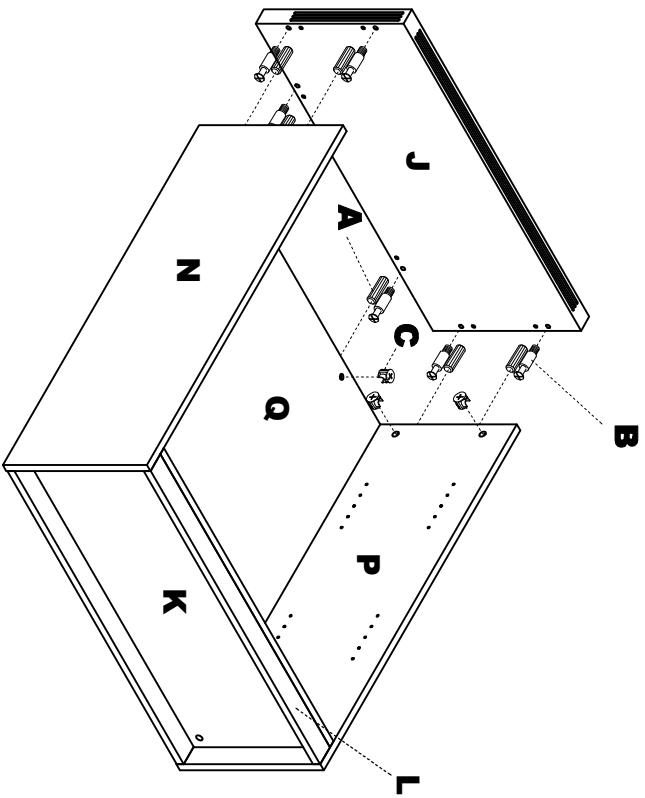
Insert Wood Dowels (A) into Back Panel (P), Bottom Shelf (J), and Toe Kick (K). Insert Cam Posts (C) into Back Panel (P) and Bottom Shelf (J). Install Cam Posts (B) into threaded inserts in Side Panel (M). Attach Side Panel (M) to Back Panel (P) and Bottom Shelf (J) by turning Cam Posts (C).



5

4

Insert Wood Dowels (A) into Back Panel (Q) and Side Panels (N & P). Insert Cam Posts (C) into Back Panel (Q) and Side Panels (N & P). Install Cam Posts (B) into threaded inserts in Top (J). Attach Top (J) to Back Panel (Q) and Side Panels (P & Q) by turning Cam Posts (C).



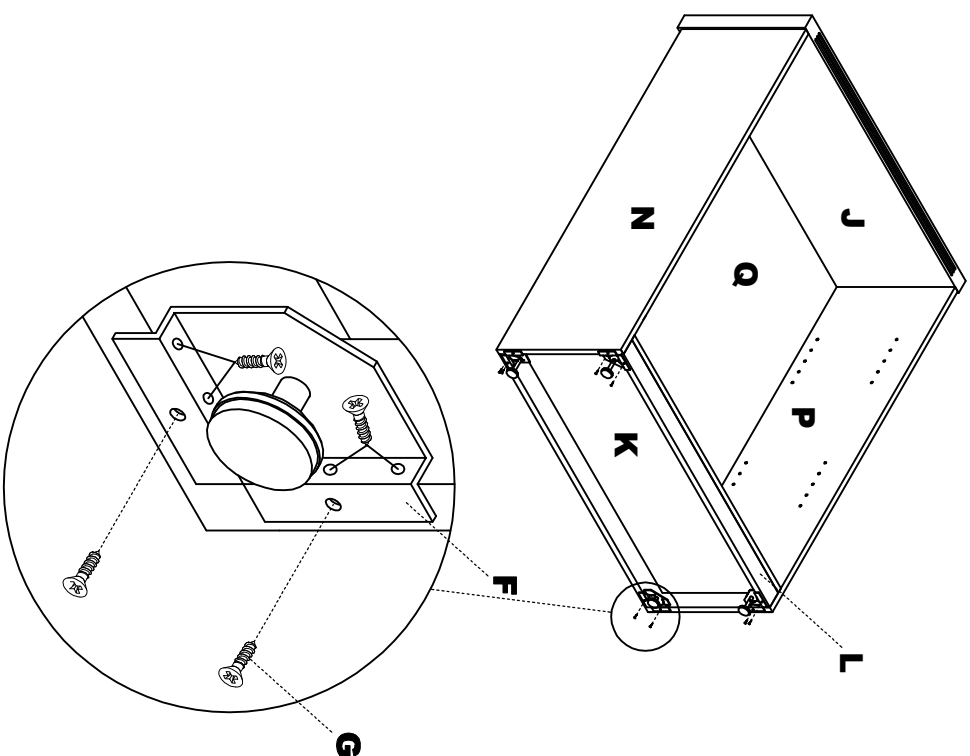
6

5

OPTIONAL: Glides or Tape.

A.) Attach Corner Brackets with Glides (G) using Screws (H1) if unit is to be free-standing.

B.) Apply Foam Tape (E) to bottom edge of Back Panel (P), Toe Kick (L), and Sides (N & P) to protect surface when unit is used on top of a work surface.



7

