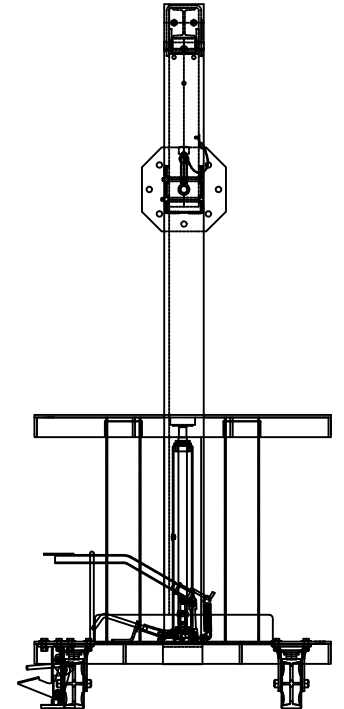
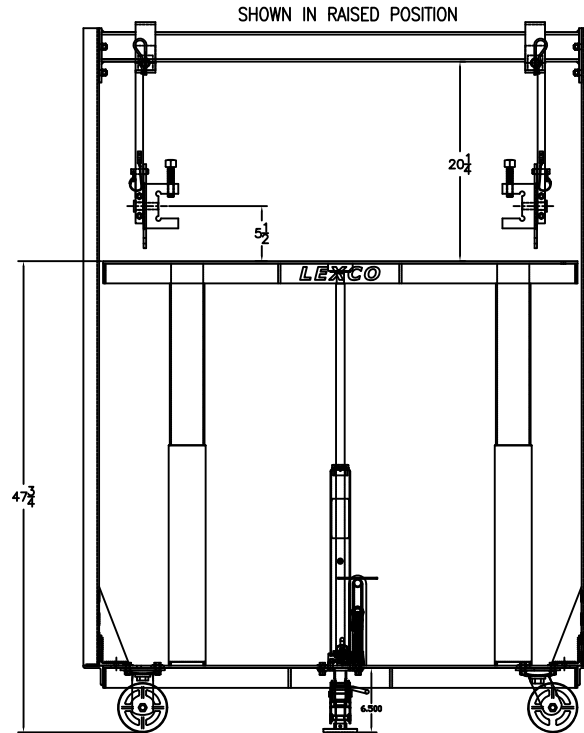
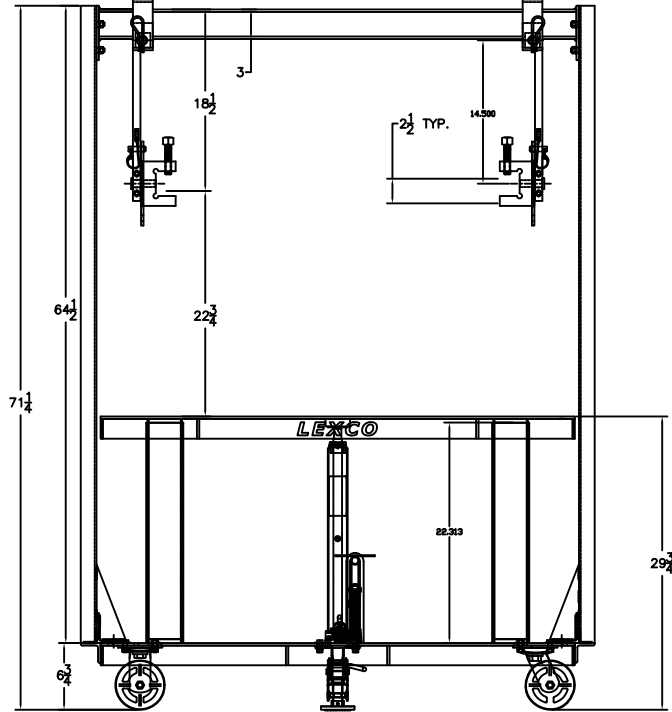


2,000 Capacity Die Handler

- Heavy-duty steel adjustable clamps for gripping the upper die set for separation.
- Floor lock.
- Precision telescoping guide tubes.
- Rigid die hangers with 360 degree indexing plate.
- Die cart allows you to transport, separate, and present your dies for service and maintenance.

Specs

- Capacity: 2,000 lbs
- Table top: 48" x 30"
- Raised height: 48"
- Lowered height: 30"
- Minimum gantry clearance: 19.885"
- Caster size: 5"
- Casters: 4 swivel
- Die size: 42" x 30"
- Weight: 590 lbs



THIS DRAWING IN ALL PARTICULARS IS WESCO INDUSTRIAL PRODUCTS INC. PROPERTY. ALL RIGHTS OF DESIGN, INVENTION OR USE OF ARE RESERVED.

PRINT ISSUED

APR. 28, 2016

WESCO MANUFACTURING  
ENGINEERING DEPARTMENT

REV.	DATE	BY	APP.
B	9678 04/16/10	JL	JL
	CHG'D TO 71-1/4 INS '12'		
	ADDED 20-1/4" DIM.		
A	9559 12/04/08	JL	JL
	PRODUCTION RELEASE		

<b>WESCO INDUSTRIAL PRODUCTS INC.</b> NORTH WALES PENNA. 19454	
PART NAME	DRAWN: J.L. 12-08-08
DH-3438-24-A, HYDRAULIC LIFT TABLE	CHECKED:
SHOWN WITH RIGID DIE HANGER w/INDEXING PLATE	APP. ENGR.
TOLERANCE UNLESS OTHERWISE SPECIFIED	
FRACTION	SCALE: 1" = 1"
± 1/64	± .01
ANGULAR ± 1-1/2'	SHEET 1 OF 1
BREAK ALL SHARP EDGES AND REMOVE ALL BURRS	
499244	REV B