

REPLACEMENT PARTS LIST

1	170700	VDL-55 (DL-55 IMPORTED)	1
2	170651	TIGHTENER	1
3	170652	CHAIN	1
4	170653	SPRING: TIGHTENER CATCH	1
5	170654	SPRING	1
* 6	170655	KIT: HARDWARE	1

* NOT SHOWN

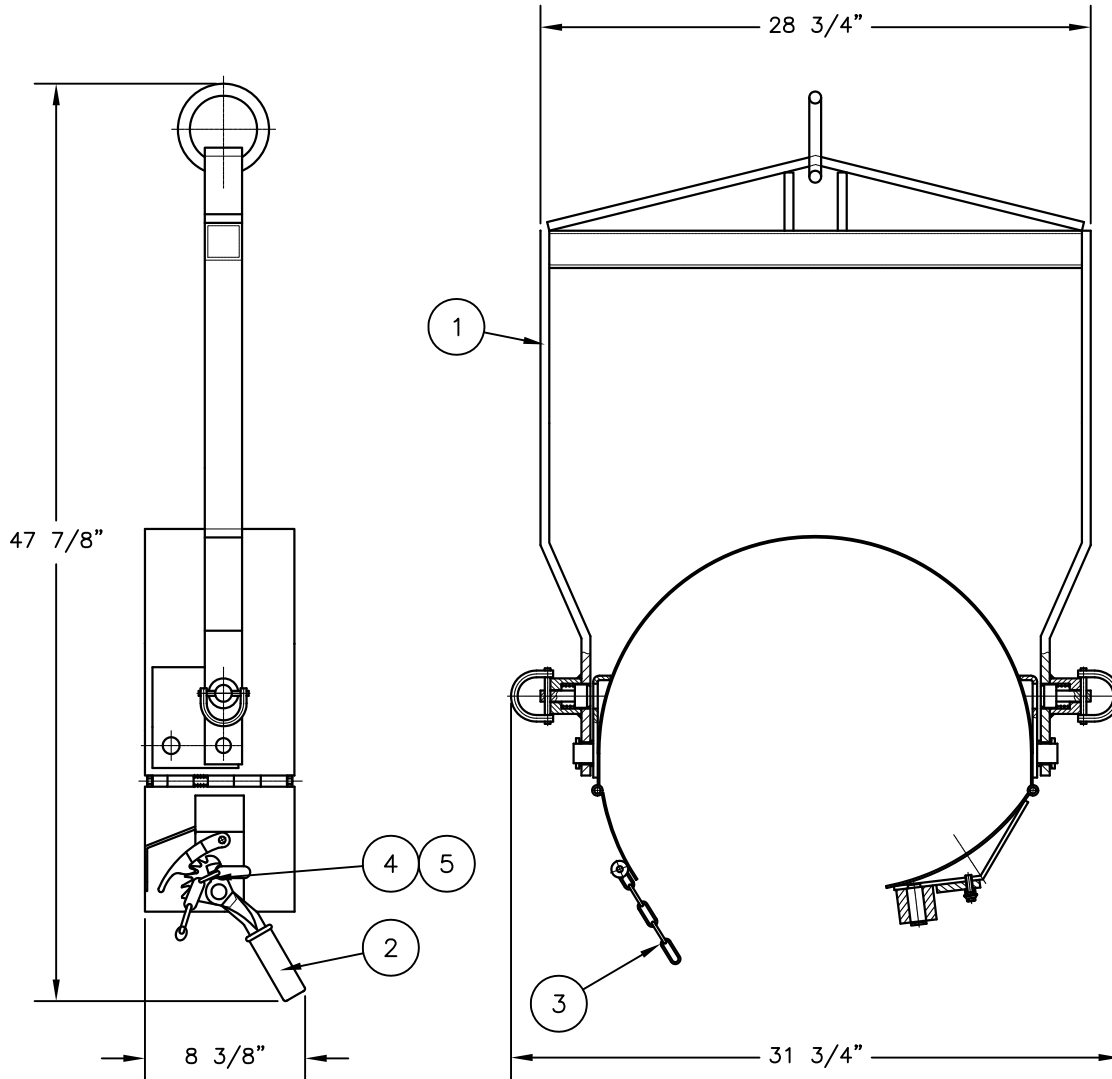
VALUE DRUM LIFTER/DISPENSER

- Easily lift drum and dispense contents.
- Handles 55 gallon steel drums.
- Locks in horizontal or vertical position.
- Ships assembled and boxed.
- Economical, lower capacity VALUE product

** TIPPING HANDLE AVAILABLE

P/N 278750

Model: VDL-55
 Capacity: 700 lbs (Full DRum)
 440 lbs (Half Drum)
 Weight: 54 lbs
 Color: Yellow
 Boxed: Yes



THIS DRAWING IN ALL PARTICULARS IS WESCO INDUSTRIAL PRODUCTS INC. PROPERTY. ALL RIGHTS OF DESIGN, INVENTION OR USE OF ARE RESERVED.

PRINT ISSUED

OCT 18, 2004

WESCO MANUFACTURING
 ENGINEERING DEPARTMENT

R	W	S	AP
12-07-12			
A	UPDATED		
REV.	EDN & DATE	REVISIONS	APP.

WESCO INDUSTRIAL PRODUCTS INC. NORTH WALES PENNA. 19454	
PART NAME VDL-55 (DRUM LIFT SERIES)	DRAWING LDU 5-11-00
TOLERANCE UNLESS OTHERWISE SPECIFIED	
FRACTION 3 PLACE DECIMAL 2 PLACE DECIMAL ± 1/64 ± .005 ± .01	SCALE: 1" = 5"
ANGULAR ± 1-1/2° SHEET 1 OF 1 BREAK ALL SHARP EDGES AND REMOVE ALL BURRS	C- 278750 REV A