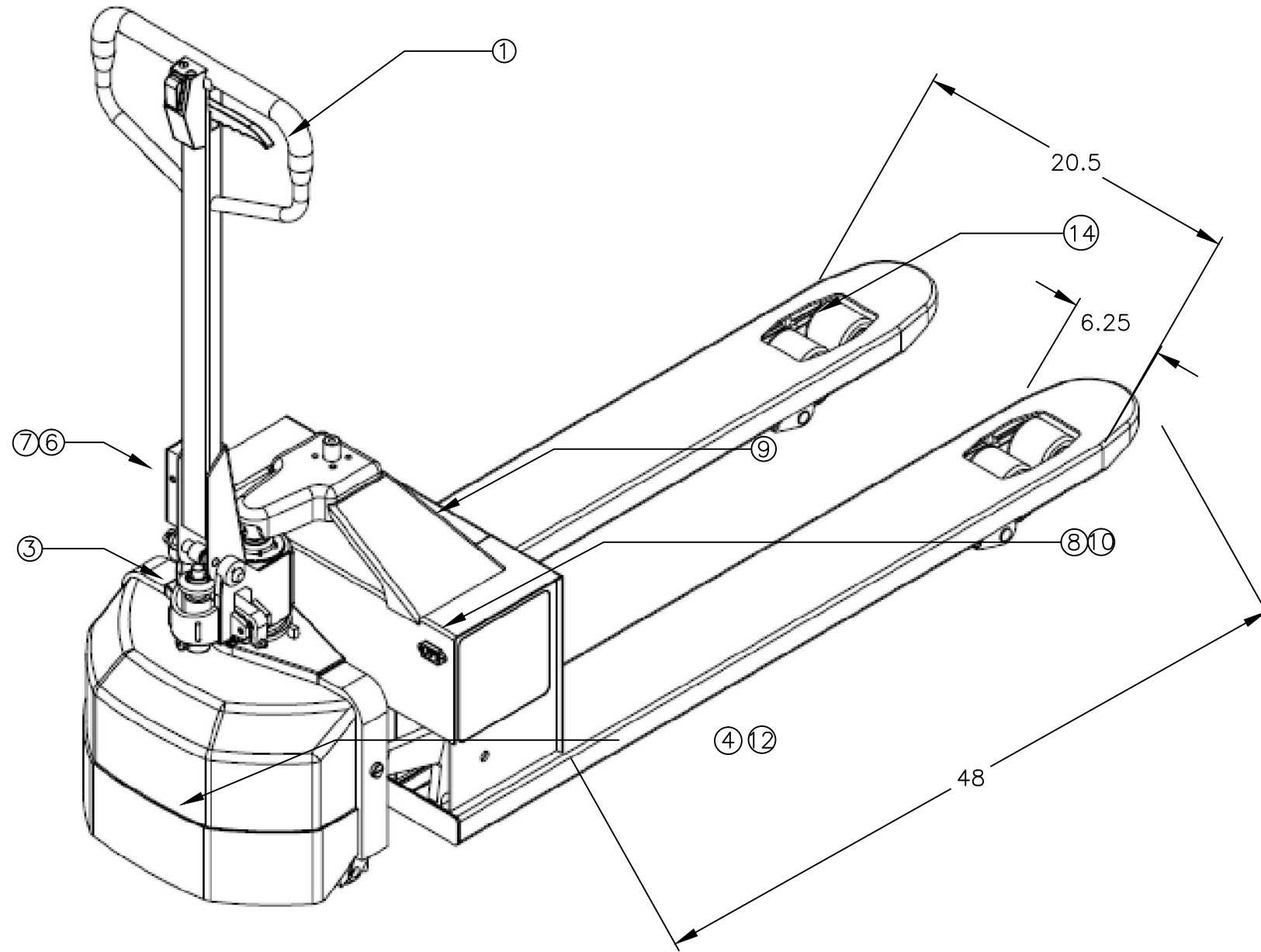


273288

REPLACEMENT PARTS

1	273410	HAND LEVER ASSEMBLY	1
2	273411	POSTIONAL CAM	-
3	273412	OIL PUMP ASSEMBLY	1
4	273413	DRIVE WHEEL ASSEMBLY	1
5	273414	ELECTRIC LOCK SWITCH	1
6	274089	KEY	1
7	274090	ELECTRIC ENERGY METER	1
8	274091	CHARGER	1
9	274092	BATTERY CELL	-
10	274093	POWER LINE	1
11	273418	BEARING	-
12	273419	WHEEL	1
13	273420	CONNECTING ROD ASSEMBLY	2
14	273421	FORK WHEEL	2
15	273422	BEARING	-

- Overall length is 65.75"
- Handle height is 48.5"
- Capacity is 2200lbs
- Weight is 330 lbs



SEMI-ELECTRIC PALLET TRUCK

- 1 Year pump warrenty
- Manual lift, power drive.
- Lowered/ Raised: 3.375"/8"
- 10" Polyurethane drive wheel
- 3" Polyurethane load wheel
- Speed 1.6-2.4 mph with load
- 4 batteries: 24V 38Ah
- 12V 10 amp charger.
- 67" turning radius.

THIS DRAWING IN ALL PARTICULARS IS WESCO INDUSTRIAL PRODUCTS INC. PROPERTY. ALL RIGHTS OF DESIGN, INVENTION OR USE OF ARE RESERVED.

APP		<p>WESCO INDUSTRIAL PRODUCTS INC. LANSDALE PENNA. 19446</p>		
ECN & DATE				PART NAME SEPT2.2-20.5 SEMI-ELECTRIC PALLET TRUCK
REV.		TOLERANCE UNLESS OTHERWISE SPECIFIED FRACTION 3 PLACE DECIMAL 2 PLACE DECIMAL $\pm 1/64$ $\pm .005$ $\pm .01$ ANGULAR $\pm 1-1/2'$ SHEET 1 OF 1 BREAK ALL SHARP EDGES AND REMOVE ALL BURRS		SCALE: B- 273288