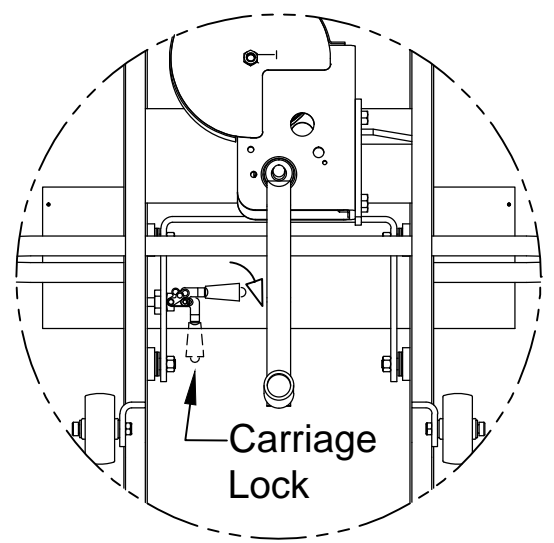
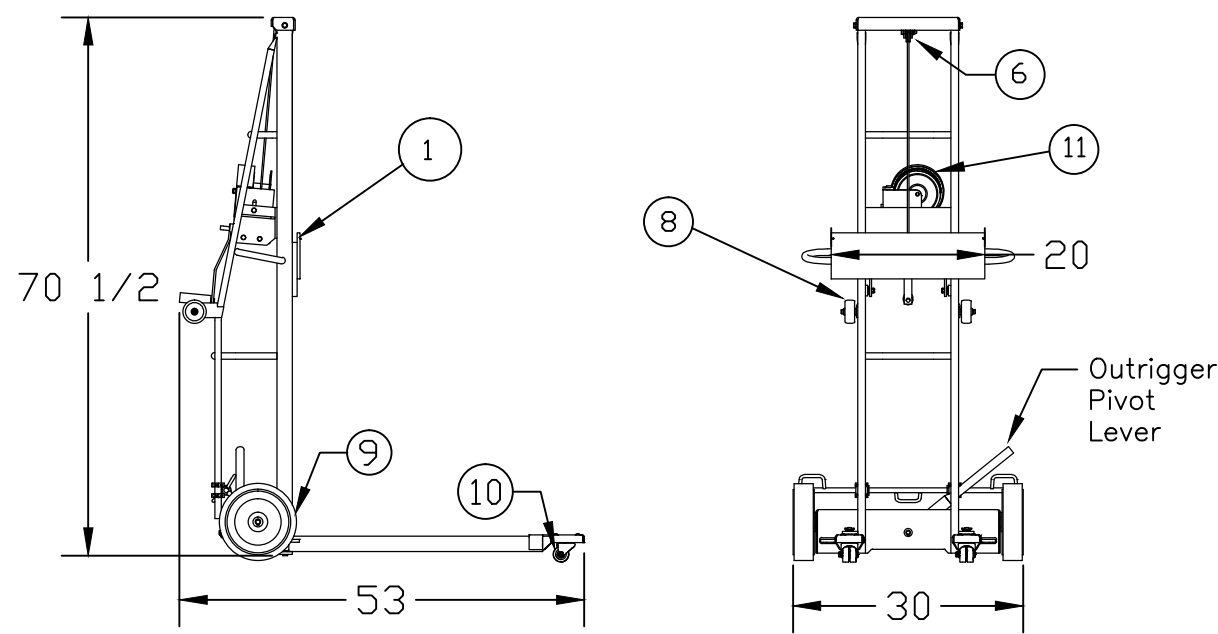


Note:
Carriage lock is intended for securing the carriage while the unit is being transported. The carriage lock will not solely hold a load.

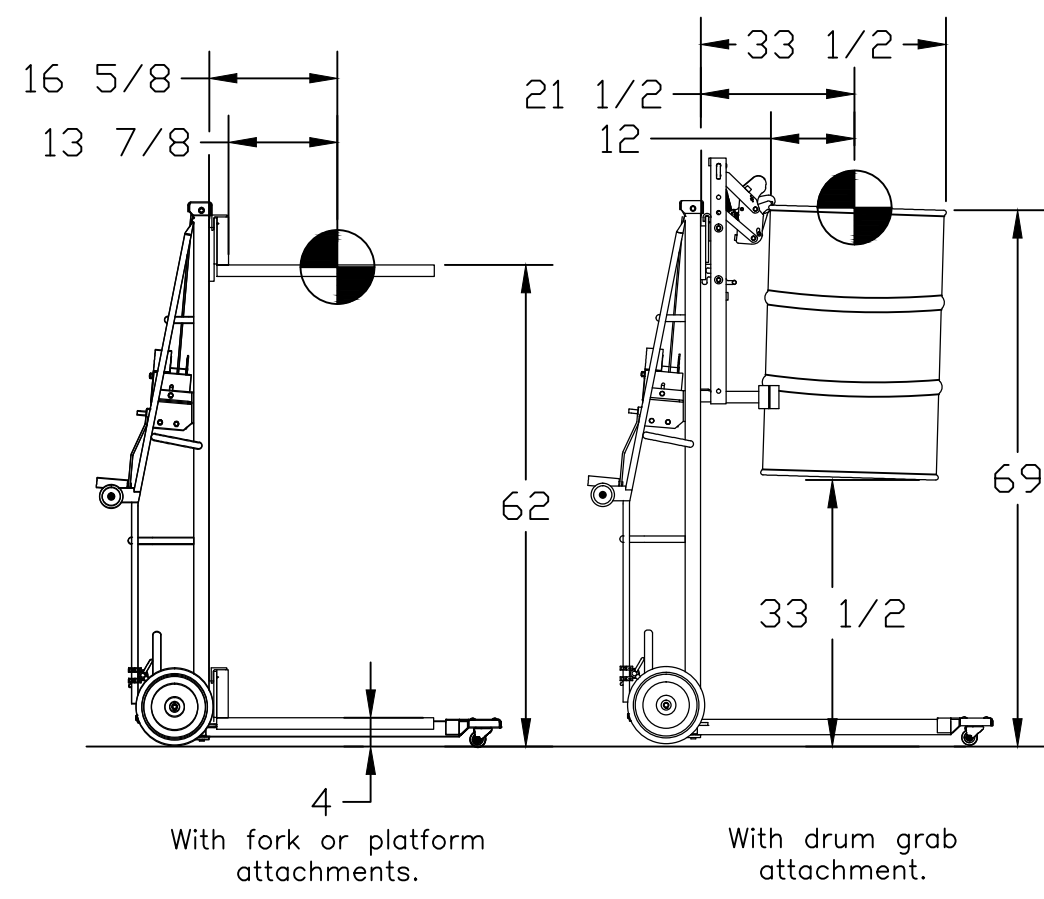
ITEM	P/N	DESCRIPTION	QTY
1	261173	ROLLER: LIFTING CARRIAGE(SET OF 6)	1
2A	261161	DRUM GRAB ASS'Y FOR P/N 261160	1
2B	261171	DRUM GRAB ASS'Y FOR P/N 261150	1
3	261174	GATOR GRIP ASSEMBLY	1
4	261162	FORK(SET OF 2)	1
5	261163	PLATFORM	1
6	261167	SHEAVE ASSEMBLY, 2-1/2" OD X 3/8"	1
7	261168	CABLE, 10'	1
8	261169	WINCH W/ BRAKE(WHICH ONLY NO HANDLE)	1
9	261170	DETACHABLE HANDLE	1
10	261164	WHEEL: 3" DIA X 1-1/4" THREAD, POLYOLEFIN(SET OF 2)	1
11	261165	CASTER: 2" SWIVEL(SET OF 2)	1
12	261166	WHEEL: "Z2" 10X2.75(5/8BB) SOLID RUBBER(SET OF 2)	1
13	261172	HANDGRIP: 1" BLACK	1



Triple Truck:

- The Wesco Triple Truck is designed to safely lift and transport steel, poly and plastic drums. With attachments the Triple Truck can be converted from a drum handler to a fork or platform stacker simply and quickly without the use of tools.
- Manual Winch with auto-brake.
- Outriggers are adjustable to accommodate drums on floor, doors on pallet, or forks/platform.
- Adjustable forks with platform option.

NOTE:
Load must be transported at the lowest practical height with the outriggers in the "Fork/Platform" mode for maximum stability.



Note:
Load centers based on capacity of attachments. Do not exceed 750 lbs at specified load center.

P/N	261160	Capacity:	750 lbs	Wheel Lock:	Yes
Weight:	169 lbs	Platform size:	27.5" x 21"	Carriage Lock:	Yes
Fork length and width:	27.75" x 3"	Max. Fork Distance:	19.375" OD	Platform thickness:	0.125"
Lift per 1 winch turn:	0.5"	Drum Grab Dimensions:	12.5"x32"x12.5"	Platform height:	9"
		Fork height:	8"		

PROPRIETARY AND CONFIDENTIAL
THE INFORMATION CONTAINED IN THIS DRAWING IS THE SOLE PROPERTY OF WESCO INDUSTRIAL PRODUCTS. ANY REPRODUCTION IN PART OR AS A WHOLE WITHOUT THE WRITTEN PERMISSION OF WESCO INDUSTRIAL PRODUCTS IS PROHIBITED.

UNLESS OTHERWISE SPECIFIED:		NAME	DATE
DIMENSIONS ARE IN INCHES	TOLERANCES:	DRAWN	
FRACTIONAL ±	ANGULAR: MACH ±	CHECKED	
TWO PLACE DECIMAL ±	BEND ±	ENG APPR.	
THREE PLACE DECIMAL ±		MFG APPR.	
INTERPRET GEOMETRIC TOLERANCING PER:	MATERIAL	Q.A.	
FINISH		COMMENTS:	
NEXT ASSY	USED ON		
APPLICATION	DO NOT SCALE DRAWING		

TITLE:		
TTF		
SIZE	DWG. NO.	REV
B	261160	
SCALE: 1:25	WEIGHT: 168.81	SHEET 1 OF 1