

260065

REPLACEMENT PARTS LIST

1	270255	KIT: JACK, LT-20,40,60
2	050859	FOOT PEDAL ASS'Y (21")
3	050857	RELIEF HANDLE ASS'Y (18")
4	150001	FLOOR LOCK
5	270237	SEAL KIT (3/97 to 11/02)
	270234	SEAL KIT (prior to 3/97)
6	108316	PEDAL RETURN SPRING

FOOT PUMP HYDRAULIC LIFT TABLES

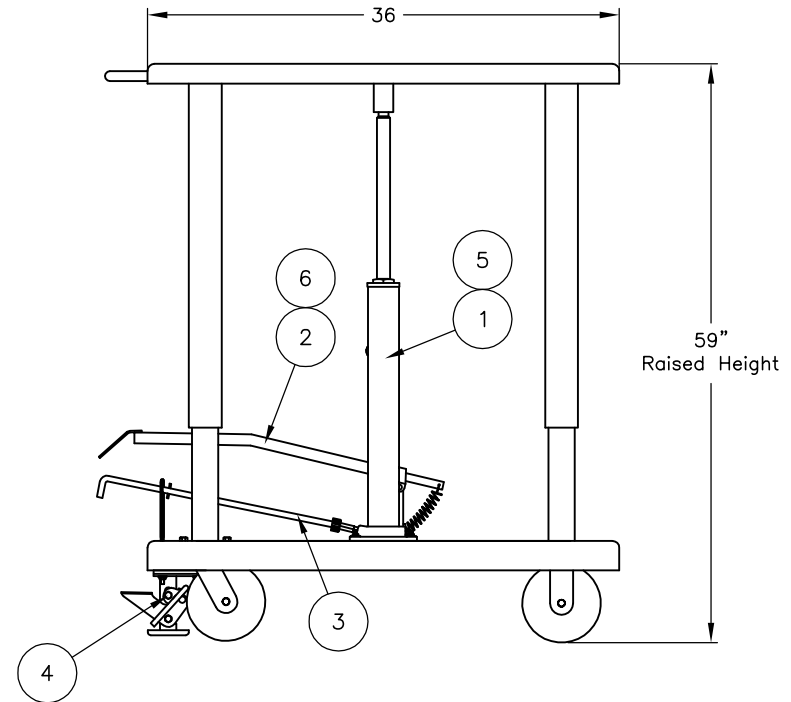
- Capacity ranges from 200 to 6,000 lbs.
- Solid steel top and base construction.
- Floor locks are standard on all 500 lb.+ capacity tables.
- Casters provide easy mobility

MEDIUM & HEAVY DUTY TABLES

- 2 rigid and 2 swivel 6" phenolic resin roller bearing casters.
- LTL models feature 4" casters and 3/8" lift per stroke.
- LT models feature 6" casters.
- Four support posts and push handle.
- Foot operated floor lock.

P/N 260065

Model: LT -20-3248
 Weight: 465 lbs
 Table Size: 32" x 48"
 Lowered Height: 37"
 Raised Height: 59"
 Support Posts: Four
 Caster Size: 6"
 Capacity: 2,000#



PRINT ISSUED
 OCT 23, 2006
 WESCO MANUFACTURING
 ENGINEERING DEPARTMENT

APP
 ECN & DATE
 REV.

REVISIONS

WESCO INDUSTRIAL PRODUCTS INC.
 LANSDALE PENNA. 19446

PART NAME		DRAWN: PS 1-21-99
LT -20-3248		CHECKED:
TOLERANCE UNLESS OTHERWISE SPECIFIED		APP. ENGR.
FRACTION	3 PLACE DECIMAL	2 PLACE DECIMAL
± 1/64	± .005	± .01
ANGULAR ± 1-1/2'	SHEET 1	OF 1
BREAK ALL SHARP EDGES AND REMOVE ALL BURRS		SCALE: 1" = 10"
A - 260065		REV