

REPLACEMENT PARTS LIST

1	053994	WELDMENT: FRAME, ADJ-53	1
2	052974	WELDMENT: HANDLE CLAMP	2
* 3	150683	BOX: ADJ-53 SERIES	1

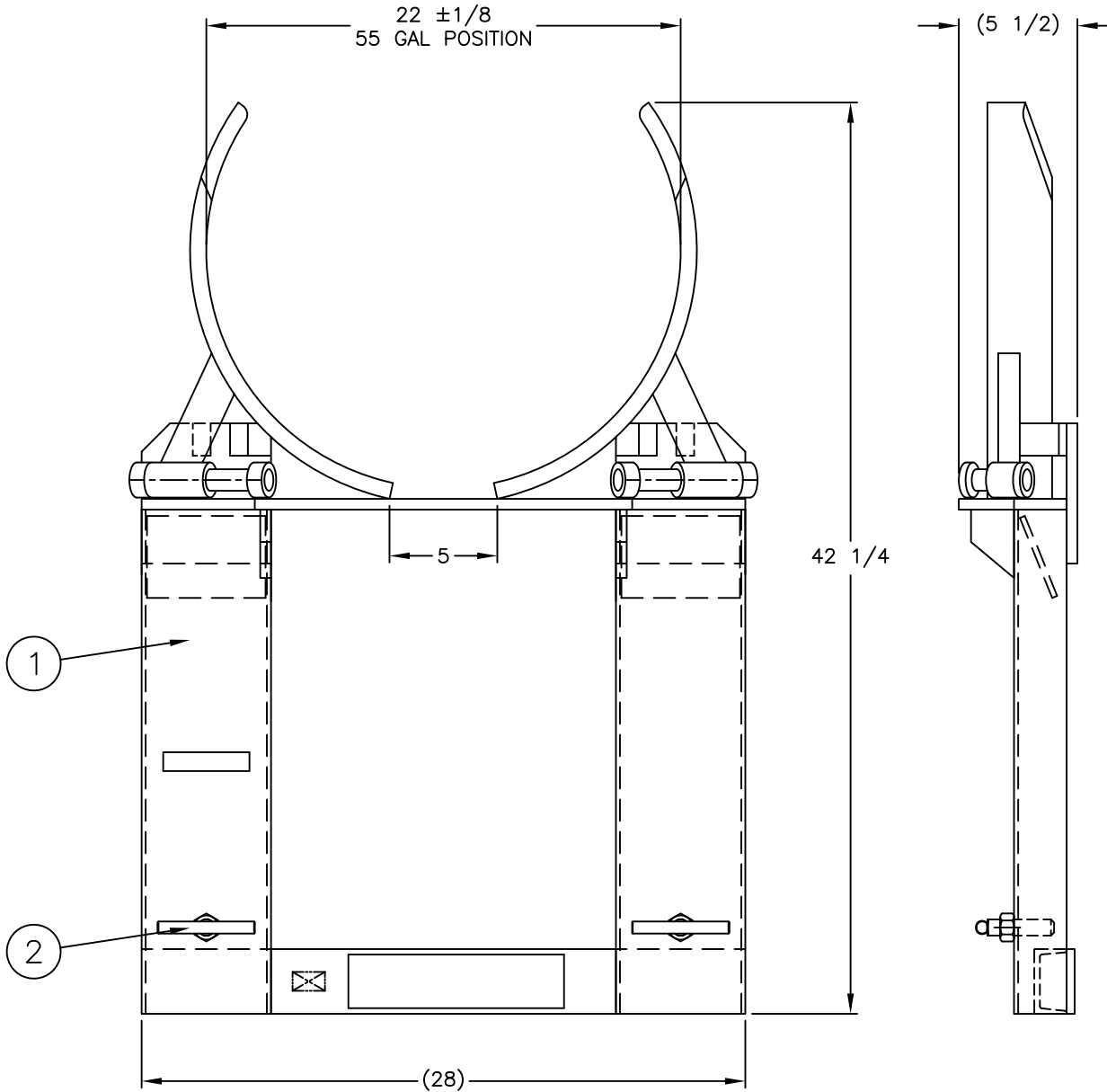
*NOT SHOWN

ADJUSTABLE DRUM GRABS for 30/55 gallon Steel Drums.

- Welded steel construction for durability.
- Made in USA
- Handle 30/55 gallon steel drums.
- Cost effective way to move 30/55 gallon drums.

P/N 240047

Model ADJ-53
 Capacity 1,500 lbs/drum
 Handles One 30/55 gallon drum
 Fork Pocket ID 5.5" x 2"
 Weight 135 lbs
 Boxed Yes



THIS DRAWING IN ALL PARTICULARS IS WESCO INDUSTRIAL PRODUCTS INC. PROPERTY. ALL RIGHTS OF DESIGN, INVENTION OR USE OF ARE RESERVED.

PRINT ISSUED

JUN 13 2007

WESCO MANUFACTURING
ENGINEERING DEPARTMENT

R W S
12-19-12
UPDATED ADDRESS
F

WESCO INDUSTRIAL PRODUCTS INC. NORTH WALES PENNA. 19454		APP. ENGR.
PART NAME ADJ-53		DRAWN: MY 06-13-89
TOLERANCE UNLESS OTHERWISE SPECIFIED		CHECKED:
FRACTION	3 PLACE DECIMAL	2 PLACE DECIMAL
± 1/64	± .005	± .01
ANGULAR ± 1-1/2°	SHEET 1 OF 1	
BREAK ALL SHARP EDGES AND REMOVE ALL BURRS		SCALE: 4" = 1"
C-240047		REV F