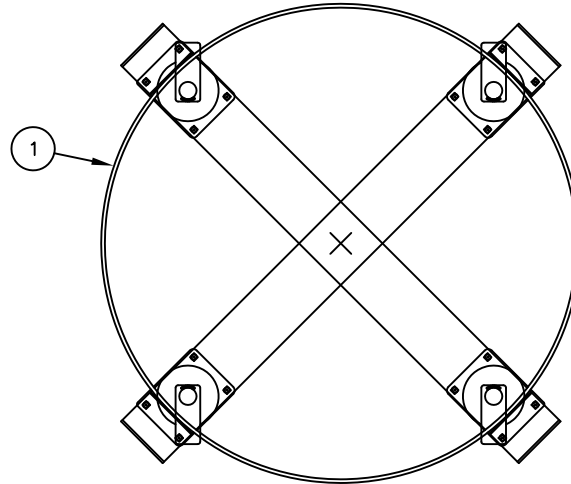
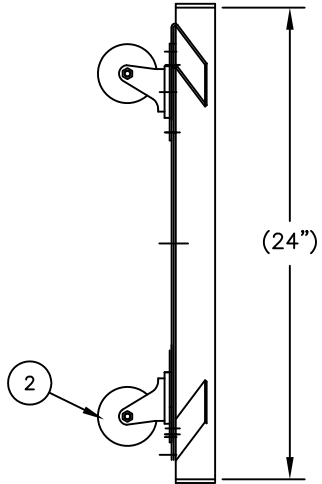


240044

REPLACEMENT PARTS LIST

1	053399	WELDMENT: BASE, OPEN BOTT'M	1	
2	108447	CASTER: SWIVEL, HR 3X1-1/4"	4	
	108186	CARR. BOLT 1/4-20 x 3/4"	16	
	150267	NUT: KEPS (PLTD) 1/4-20	16	
*	3	108265	BOX: DRUM DOLLY (D5-HR)	1

* NOT SHOWN



SPECIALTY DOLLIES

- Polyolefin caster 3" X 1-1/4".
- Steel or aluminum designs.

P/N 240044

Model: RAOD
 Capacity: 900 lbs
 Weight: 14 lbs
 Unit I.D: 24" dia.
 Drum size: 55 gal.
 Caster Type: 4 Swivel
 Material: Aluminum
 Box: Yes

THIS DRAWING IN ALL PARTICULARS IS WESCO INDUSTRIAL PRODUCTS INC. PROPERTY. ALL RIGHTS OF DESIGN, INVENTION OR USE OF ARE RESERVED.

PRINT ISSUED

NOV. 15, 2006

WESCO MANUFACTURING
 ENGINEERING DEPARTMENT

APP
 ECN & DATE
 REV.

REVISIONS

WESCO INDUSTRIAL PRODUCTS INC.

NORTH WALES

PENNA. 19454

PART NAME

ALUM. RND. DOLLY
 W/OPEN BOTTOM

DRAWN:

CHECKED:

APP. ENGR.

SCALE: 1" = 8"

TOLERANCE UNLESS OTHERWISE SPECIFIED

FRACTION	3 PLACE DECIMAL	2 PLACE DECIMAL
± 1/64	± .005	± .01

ANGULAR ± 1-1/2" SHEET 1 OF 1

BREAK ALL SHARP EDGES AND REMOVE ALL BURRS

A-240044 REV A