

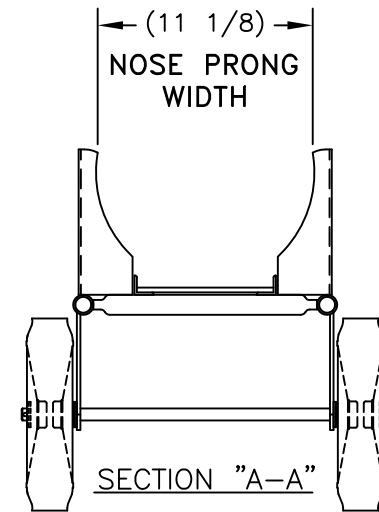
REPLACEMENT PARTS LIST			
ITEM	PART NO.	DESCRIPTION	QTY.
1	108226	HANDGRIP: 1" BLACK	2
2	150589	WHEEL: "Z" 10 X 2-3/4	1
3	100051	WASHER: FLAT (PLTD) 5/8 SAE	2
4	108219	PIN: COTTER (PLTD) 5/32x1"	2

P/N 240042

Model: PT
 Capacity: 500 lbs
 Weight: 40 lbs
 Wheel: 10" x 2.75"
 Semi-Pneumatic

PAIL TRUCK Features:

- Welded frame construction
- Handles up to 4 standard steel or plastic 5-gallon pails
- Ergonomic design eliminates the need to stack pails on a noseplate
- 10" semi-pneumatic wheels



THIS DRAWING IN ALL PARTICULARS IS WESCO INDUSTRIAL PRODUCTS INC. PROPERTY. ALL RIGHTS OF DESIGN, INVENTION OR USE OF ARE RESERVED.

PRINT ISSUED

DEC. 07, 2005

WESCO MANUFACTURING
ENGINEERING DEPARTMENT

REV	EDN & DATE	REVISIONS
A	10-29-12	UPDATED

WESCO INDUSTRIAL PRODUCTS INC. NORTH WALES PENNA. 19454	
PART NAME	PAIL TRUCK
DRAWN	RLC 12-03-86
CHECKED:	
APP. ENGR.	
TOLERANCE UNLESS OTHERWISE SPECIFIED FRACTION 3 PLACE DECIMAL 2 PLACE DECIMAL ± 1/64 ± .005 ± .01 ANGULAR ± 1-1/2' SHEET 1 OF 1 BREAK ALL SHARP EDGES AND REMOVE ALL BURRS	
SCALE	1" = 5"
C-240042	REV A