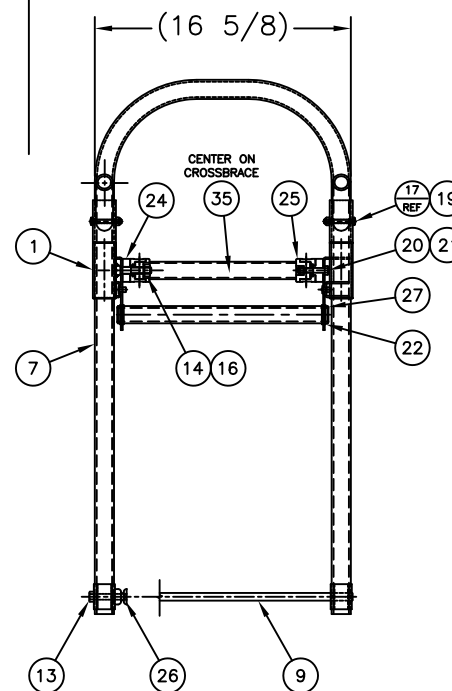
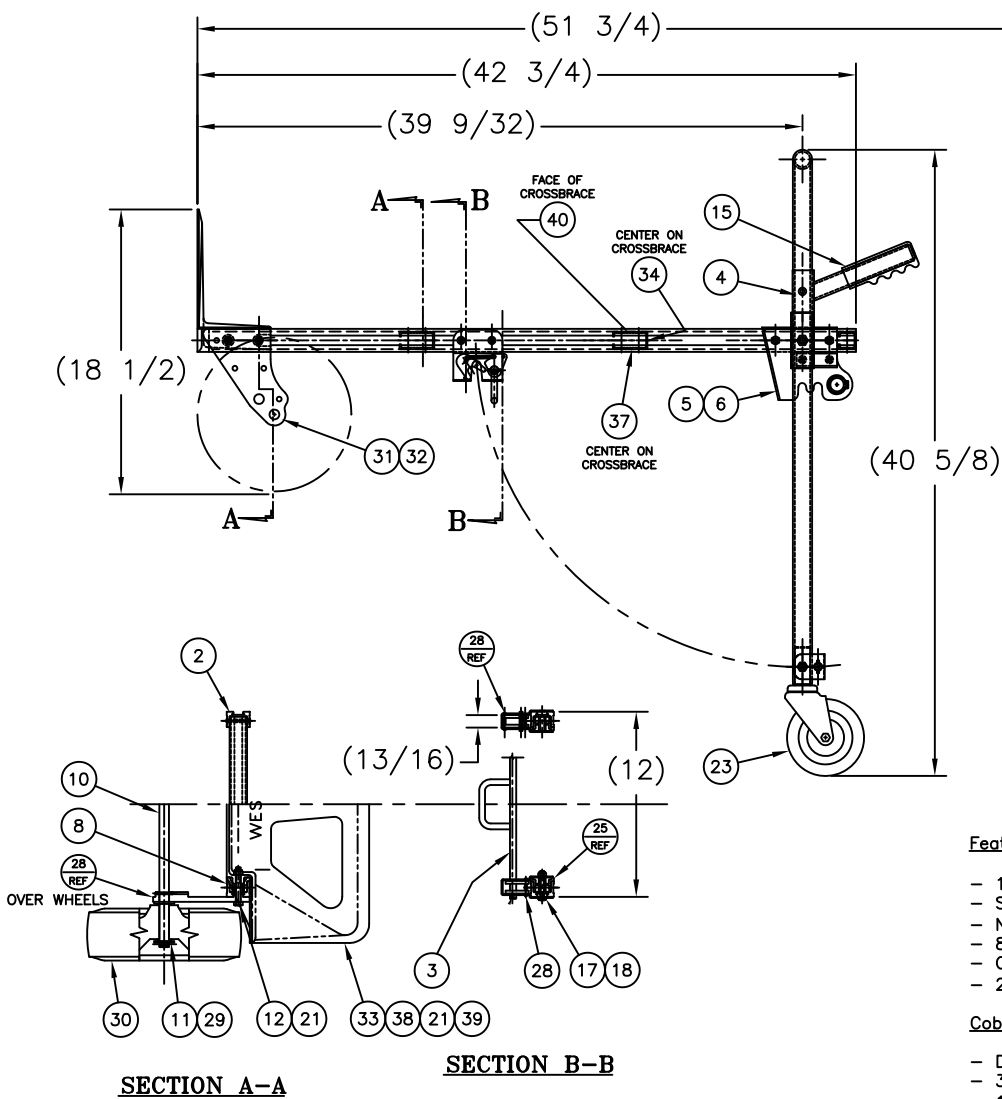


OVERALL HEIGHT WITH HANDLE FOLDED

Features for Cobra Jr. and Sr.

- 18" wide noseplate for large loads.
- Smooth and easy transition from the 2 to 4 wheeled position.
- Non-marking 5" x 1.25" swivel casters.
- 8 rivets per cross brace. Welded release pedal.
- Custom advertising side strips available--contact dealer for details.
- 2" wide cross braces for added strength and advertising labels.

Cobra Jr. Features:

- Dual hand grips for improved control.
- 3 frame cross braces.
- 12" x 38" frame bed.

REPLACEMENT PARTS LIST

ITEM	PART NO.	DESCRIPTION	QTY.
1	055105	PIVOT SOCKET WELDMNT	2
2	055113	FRAME ASSEMBLY	1
3	055094	LATCH HANDLE	1
4	055122	PIN HANDLE WELDMNT	2
5	055125	R.H. BRACKET ASS'Y	1
6	055126	L.H. BRACKET ASS'Y	1
7	055121	HANDLE	1
8	055127	FILLER CHANNEL	2
9	055099	SPREADER BAR	1
10	050229	AXLE (18 1/4)	1
11	100051	FLAT WASH.,5/8 SAE PLT	4
12	108168	5/16-18 X 2 1/4 HHCS	4
13	108152	3/8-16 X 2" HHCS	2
14	108366	FLAT WASH.7/16 SAE PLT	4
15	108949	HANDGRIP (RED) 1 1/8	2
16	108916	7/16-14 NUT, 2-WAY	2
17	108929	1/4-20 NUT, NYLOCK	6
18	108932	1/4-20 X 1 3/4 PHPS	4
19	108933	1/4-20 X 1 7/8 PHPS	2
20	108934	5/16-18 X 1 3/4 HHCS	4
21	108132	LOCKNUT 5/16 - 18	12
22	108937	1 1/8 RET.RING, BOWED	4
23	108979	CASTER (5" X 1 1/4)	2
24	108980	MOLDED SPACER	2
25	108981	MOLDED CLAMP	4
26	109019	LOAD END CAP	2
27	108984	UPPER HANDLE	1
28	109644	SPG.PIN ø1/8 X 1 1/8	2
29	108219	COTTER PIN (ø.148)	2
30	151505	WHEEL: "PE" 10 X 3.50"	2
31	151508	R.H. AXLE BOX	1
32	151509	L.H. AXLE BOX	1
33	053313	STAMP: WESCO, S18/E18	1
34	154021	WARNING LABEL	1
35	154060	"WESCO"/CAP. LABEL	1
36	108304	POLYBAG 28 X 52 X.003	1
37	154113	LABEL: FRAME WARRANTY	1
38	108169	BOLT: CARR. 5/16-18X1 1/4	4
39	055131	CLAMP: EXTR.	1
40	154159	LABEL: WESCO COBRA	1

P/N

220494

Model

CBR-JR-E18-PE

Capacity 2 wheel

600 lbs.

Capacity 4 wheel

1,200 lbs.

Approximate Weight

37.5 lbs.

Overall Height

51.75"

Frame bed

12" x 38"

Boxed

No

THIS DRAWING IS THE PROPERTY OF WESCO MFG. CO. ALL RIGHTS OF DESIGN, INVENTION OR USE OF ARE RESERVED.

PRINT ISSUED

JAN 08, 2007

WESCO MANUFACTURING
ENGINEERING DEPARTMENT6055 01-08-07
C AND 181508, 17 1/2 TG04-26-06
D-DRAWING WITH CAD
UPDITE ROUTE

REVISIONS

WESCO MANUFACTURING CO.
NORTH WALES, PENNSA 15454

PART NAME	CBR-JR-E18-PE	DESIGNER	P. SPENCER
FINAL ASSY ALUM. 2-N-1		DATE	07-30-96
TOLERANCES UNLESS OTHERWISE SPECIFIED		DRAWN	
FRACTION	2 PLACE DECIMAL	3 PLACE DECIMAL	
ø, RADIUS	1/16" - .001	1/32" - .001	
ANGLE & 1-1/2"	SHEET 1 OF 1		
HIDE ALL SHARP EDGES AND REMOVE ALL BURRS			

SCALE: 1/4" = 1"

D-220494