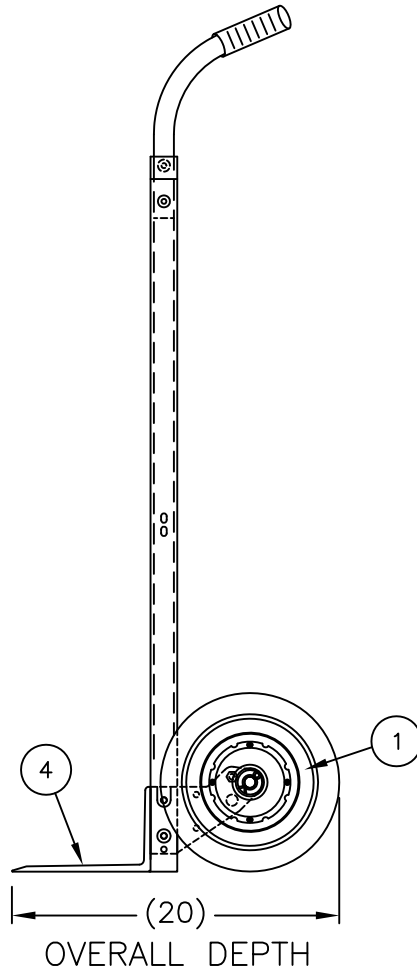
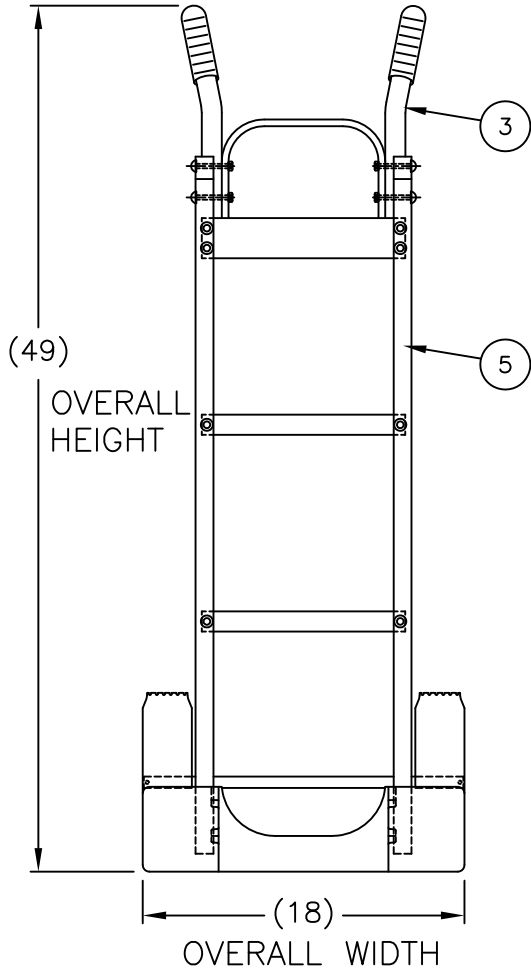


220387



REPLACEMENT PARTS LIST

ITEM	PART NO.	DESCRIPTION	QTY.
1	054047	KIT: WHEEL "Z" WESCO-LITE	1
2	108990	BOX: 40-1/2" X 13 X 10	1
3	151525	HANDLE: TWIN	1
4	151533	NOSEPLATE (18")	1
5	153855	KIT: STRAIGHT FRAME #0	1

COBRA-LITE FEATURES:

- All aluminum construction.
- Heavy duty cast 7.5" X 14" or 7.5" X 18" wide nose plate options.
- Quality light weight truck at an economical price.
- Ships KD and boxed or as components
- Assembly option available.
- All 2" wide cross braces for additional strength.
- Great for advertising label.

Series 450 Features:

- Twin handle style with vinyl grips.
- 49" overall height.

P/N 220387

Model 450-T18-Z
 Weight 29 lbs
 Capacity 600 lbs
 Box No
 Wheel 10" x 2.75"
 Type Semi-Pneumatic
 Hub Steel Offset

THIS DRAWING IN ALL PARTICULARS IS WESCO MFR. CO. PROPERTY. ALL RIGHTS OF DESIGN, INVENTION OR USE OF ARE RESERVED.

PRINT ISSUED

APR 19, 2006

WESCO MANUFACTURING
ENGINEERING DEPARTMENT

REV.	ECH & DATE	REVISIONS	APP
B	02-06-13	UPDATED	RWS
A	04-19-06	DRAWN INTO CAD UPDATED ROUTER	KL

WESCO MANUFACTURING CO.		APP
NORTH WALES PENNA. 19454		REV
PART NAME	450-T18-Z (COBRA-LITE)	DRAWN: SKH 4-21-93
TOLERANCE UNLESS OTHERWISE SPECIFIED		CHECKED: GRB 3-14-95
FRACTION	3 PLACE DECIMAL	2 PLACE DECIMAL
± 1/64	± .005	± .01
ANGULAR ± 1-1/2'	SHEET 1 OF 1	SCALE: 7" = 1"
BREAK ALL SHARP EDGES AND REMOVE ALL BURRS		B-220387
		REV B