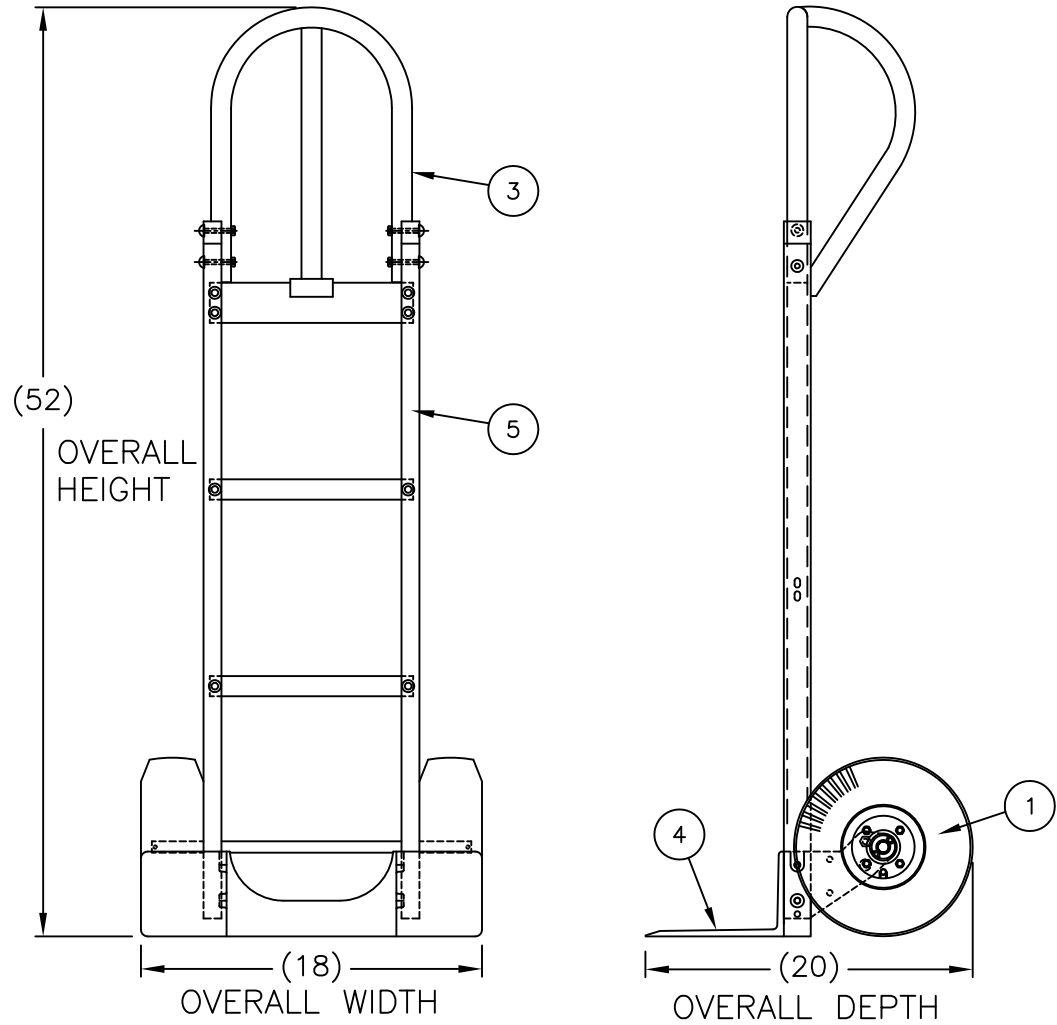


220368



REPLACEMENT PARTS LIST			
ITEM	PART NO.	DESCRIPTION	QTY.
1	054231	KIT: WHEEL "PE" WESCO-LITE	1
2	108990	BOX: 40-1/2" X 13 X 10	1
3	151510	HANDLE: "D"	1
4	151533	NOSEPLATE (18")	1
5	153855	KIT: STRAIGHT FRAME #0	1

COBRA-LITE FEATURES:

- All aluminum construction.
- Heavy duty cast 7.5" X 14" or 7.5" X 18" wide nose plate options.
- Quality light weight truck at an economical price.
- Ships KD and boxed or as components
- Assembly option available.
- All 2" wide cross braces for additional strength. Great for advertising label.

Series 470 Features:

- High back loop handle.
- 52" overall height.

**P/N 220368**

Model 470-T18-PE  
 Weight 22.5 lbs  
 Capacity 600 lbs  
 Box No  
 Wheel 10" x 3.5"  
 Type Pneumatic  
 Hub Steel Offset

THIS DRAWING IN ALL PARTICULARS IS WESCO MFRG. CO. PROPERTY. ALL RIGHTS OF DESIGN, INVENTION OR USE OF ARE RESERVED.

PRINT ISSUED

APR 19, 2006

WESCO MANUFACTURING  
ENGINEERING DEPARTMENT

R	W	S
02-06-13		
B	UPDATED	

<b>WESCO MANUFACTURING CO.</b> NORTH WALES PENNA. 19454		PART NAME	
		470-T18-PE (COBRA-LITE)	
TOLERANCE UNLESS OTHERWISE SPECIFIED FRACTION 3 PLACE DECIMAL 2 PLACE DECIMAL $\pm 1/64$ $\pm .005$ $\pm .01$		DRAWN: SKH 4-21-93 CHECKED: GRB 3-14-95 APP. ENGR.	
ANGULAR $\pm 1-1/2'$ SHEET 1 OF 1 BREAK ALL SHARP EDGES AND REMOVE ALL BURRS		SCALE: 7" = 1" <b>B-220368</b> REV B	