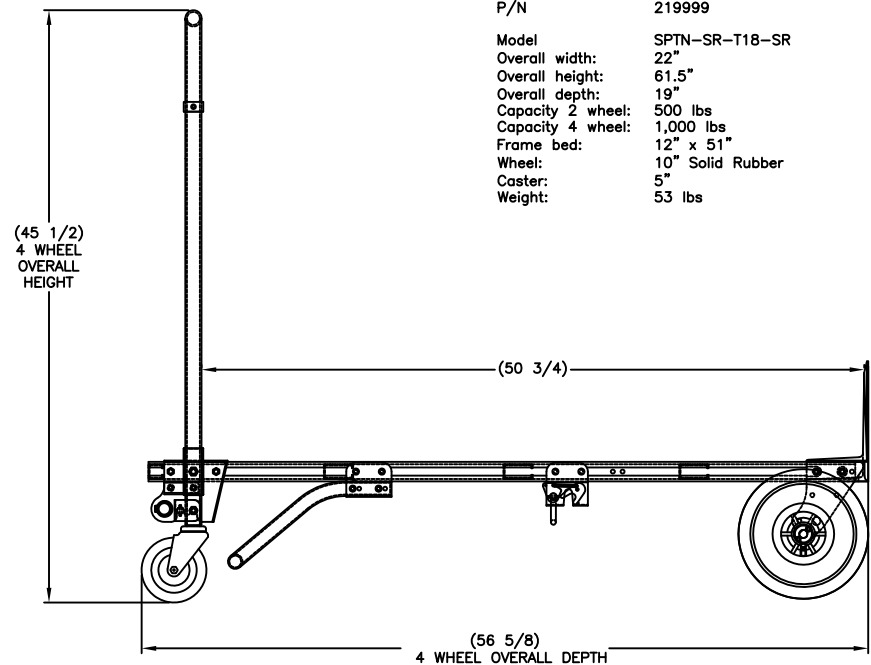
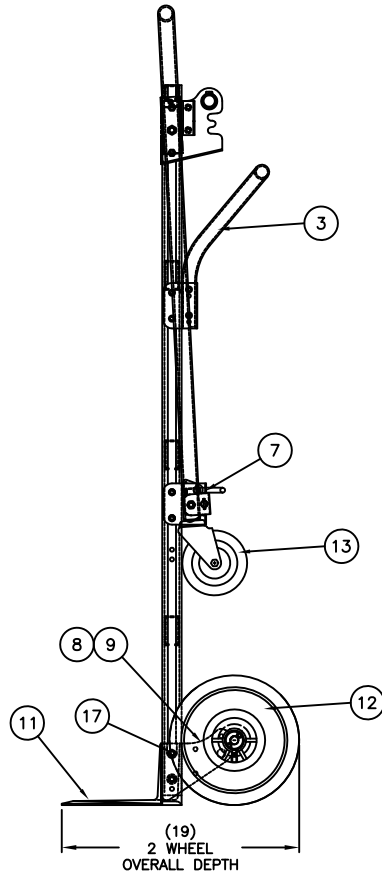
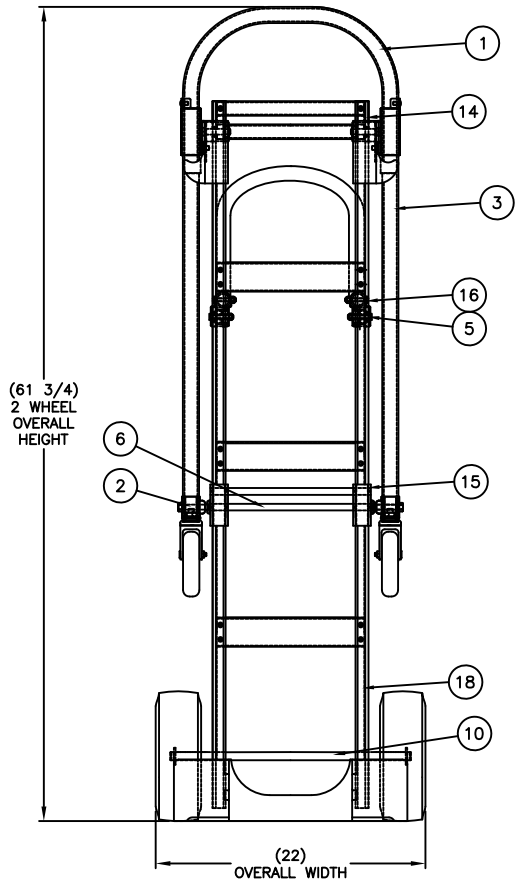


Spartan Economy 2 in 1 Truck

- Value-priced truck.
- Sturdy, light weight aluminum frame.
- 18" wide noseplate for large loads.
- Extra strength noseplate cast from special aluminum alloy.
- Non-marking 5" x 1.25" swivel casters.
- Pedal release allows easy conversion from 2-wheel to 4-wheel position.

| REPLACEMENT PARTS LIST | | | | |
|------------------------|----------|--------------------------------|------|--|
| ITEM | PART NO. | DESCRIPTION | QTY. | |
| 1 | 151577 | HANDLE: SPARTAN SR | 1 | |
| 2 | 151571 | SWIVEL HANDLE | 2 | |
| 3 | 151569 | HANDLE: CONTINUOUS | 1 | |
| 4 | 151572 | HANDLE: UPPER ASS'Y W/ BRACKET | 1 | |
| 5 | 151570 | BRACKET MTC: CONTINUOUS HANDLE | 2 | |
| 6 | 151584 | ASSEMBLY: SPREADER BAR | 1 | |
| 7 | 151568 | RELEASE MECHANISM | 1 | |
| 8 | 151508 | BOX: AXLE RH | 1 | |
| 9 | 151509 | BOX: AXLE LH | 1 | |
| 10 | 151564 | AXLE | 1 | |
| 11 | 151527 | NOSEPLATE | 1 | |
| 12 | 108479 | WHEEL: "SR" SOLID RUBBER | 2 | |
| 13 | 151561 | CASTER | 2 | |
| 14 | 151573 | SPACER | 2 | |
| 15 | 151574 | BLOCK | 6 | |
| 16 | 151563 | KIT: HARDWARE FOR HANDLE/AXLE | 1 | |
| 17 | 220311 | KIT: HARDWARE FOR CASTER | 2 | |
| 18 | 055127 | CHANNEL FILLER | 2 | |



P/N 219999
 Model SPTN-SR-T18-SR
 Overall width: 22"
 Overall height: 61.5"
 Overall depth: 19"
 Capacity 2 wheel: 500 lbs
 Capacity 4 wheel: 1,000 lbs
 Frame bed: 12" x 51"
 Wheel: 10" Solid Rubber
 Caster: 5"
 Weight: 53 lbs

THE DRAWING IS THE PROPERTY OF WESCO MANUFACTURING CO. PROPERTY. ALL RIGHTS OF DESIGN, INVENTION OR USE OF ARE RESERVED.

| | | | |
|--------------------------------|----------------|--------------------------|--------------|
| WESCO MANUFACTURING CO. | | NORTH WALES PENNA. 19454 | |
| PART NAME | SPTN-SR-T18-SR | DRAWN | RWS 01-24-14 |
| PROF'D | 3 PLATE DIMS | CHECKED | |
| APPROVAL | 1-1/2" | SHEET | 1 OF 1 |
| D-219999 | | | |