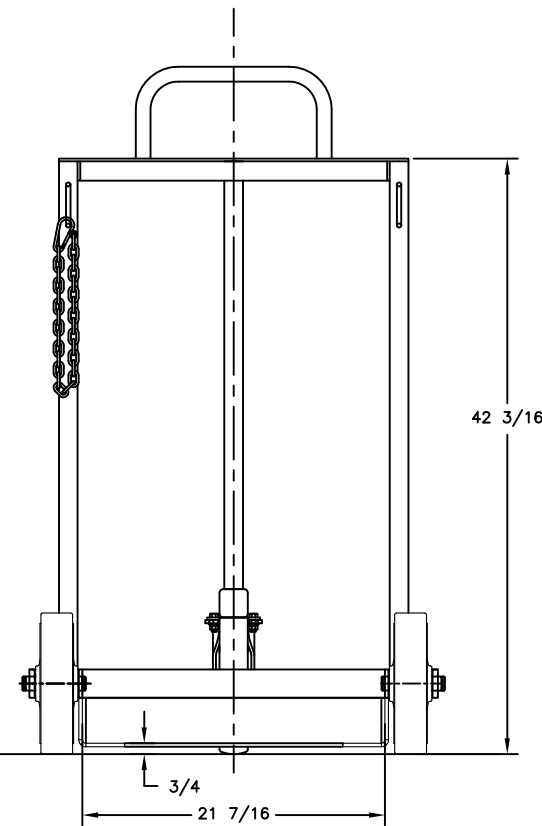
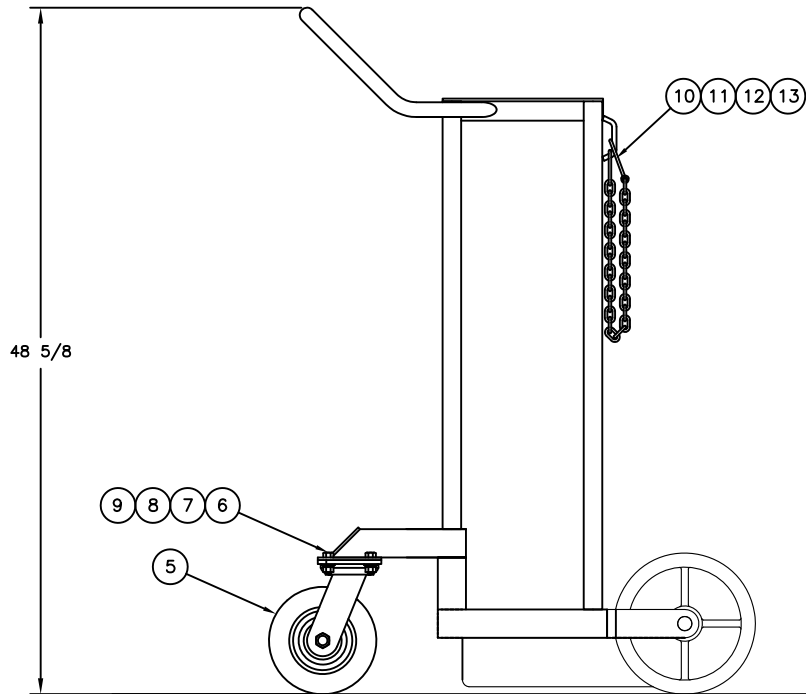


NOTES:

CAPACITY: 1000 LBS  
 WHEELS: 10" X 2 1/2" POLY ON POLY  
 CASTER: 8" X 2" CROWN POLY TOTAL LOCK

- 34" LG SECURING CHAIN
- FOR 20" DIAMETER LIQUID CYLINDERS
- DURABLE POWDER COATED FINISH
- COLOR ORANGE

REPLACEMENT PARTS			
ITEM	PART NO.	DESCRIPTION	QTY.
1	053930	AXLE: 1" FRONT WHEEL	2
2	053730	WHEEL: 10" x 2-1/2"	2
3	108208	WASHER: FLAT (PLTD) 1"	6
4	109363	RING:RETAINING 1" SHAFT	4
5	053732	CASTER:SWIVEL, 8" POLY	1
6	108149	SCR:HEX HD 5/16-18x1"	4
7	100069	WASHER: (PLTD) 5/16"	4
8	100170	WASHER:LOCK(PLTD)5/16	4
9	108175	NUT:HEX(PLTD) 5/16-18	4
10	109421	CARABINER:1/4"DIA PLTD	1
11	109422	CONNECTOR: CHAIN	1
12	109423	CONNECTOR:SPRING SNAP	1
13	053932	CHAIN:SECURING, 34" LG	1



THIS DRAWING IN ALL PARTICULARS IS WESCO INDUSTRIAL PRODUCTS INC. PROPERTY. ALL RIGHTS OF DESIGN, INVENTION OR USE OF ARE RESERVED.

PRINT ISSUED  
 FEB 26 2013  
 WESCO MANUFACTURING  
 ENGINEERING DEPARTMENT

7079	03-06-13	D	DR	APP
A				

<b>WESCO INDUSTRIAL PRODUCTS INC.</b> NORTH WALES PENNA. 19454	
PART NAME	LIQUID CYL. CART LCC
DRAWN	DR 02-26-13
CHECKED:	
APP. ENGR.	
TOLERANCE UNLESS OTHERWISE SPECIFIED	
FRACTION	3 PLACE DECIMAL 2 PLACE DECIMAL
± 1/64	± .005 ± .01
ANGULAR ± 1-1/2'	SHEET 1 OF 1
BREAK ALL SHARP EDGES AND REMOVE ALL BURRS	
SCALE:	1" = 1"
C-210131	REV A