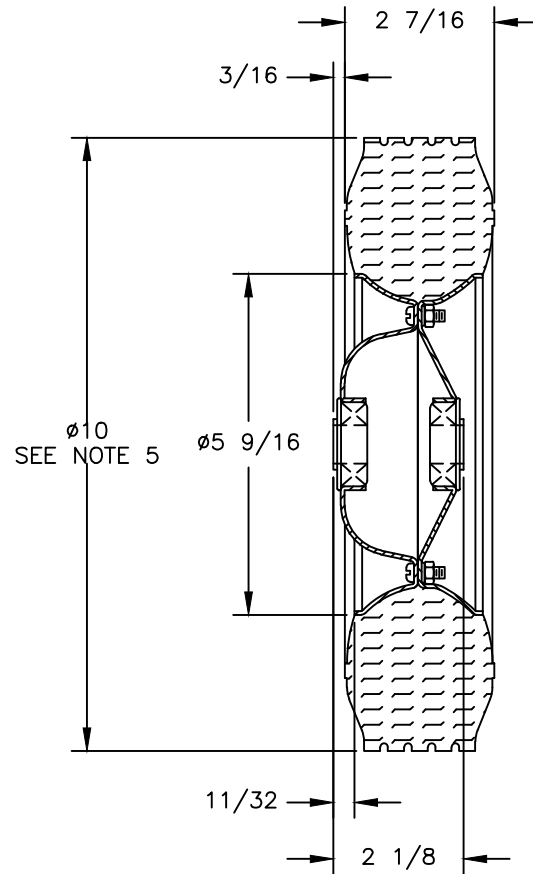
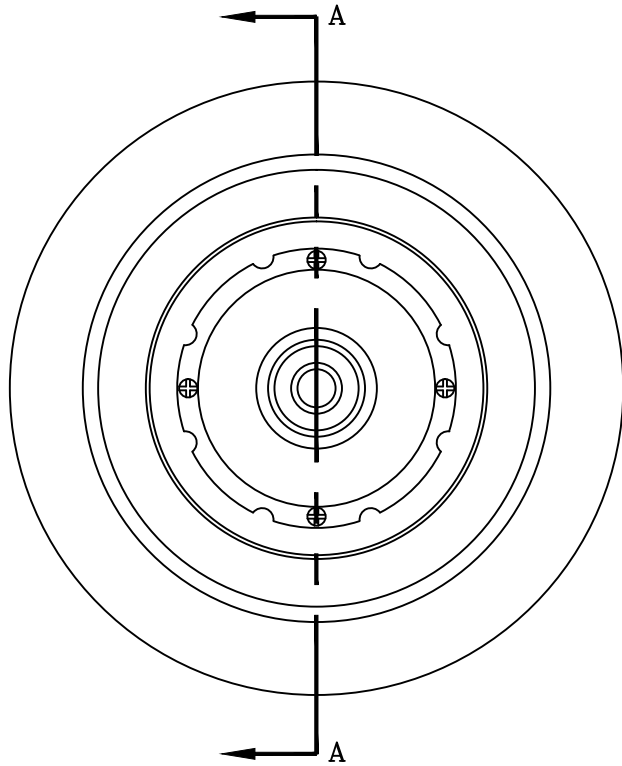


150589



SECTION "A-A"

- Semi-Pneumatic Wheel
- Diameter: 10"
 - Hub Type: Zinc/Steel
 - Tread Width: 2.75"
 - Hub length: 2.25"
 - Bore Id: .625"
 - Approx Weight: 6.25 lbs
 - Bearing type: Ball
 - Capacity: 350 lbs

THIS DRAWING IN ALL PARTICULARS IS WESCO MFG. CO. PROPERTY. ALL RIGHTS OF DESIGN, INVENTION OR USE OF ARE RESERVED.

PRINT ISSUED

JAN. 20, 2003

WESCO MANUFACTURING
ENGINEERING DEPARTMENT

KL	EGK	APP
4199 04-20-00 UPDATED DOCUMENTATION	166-95 5-1-95 RELEASED	
A	/	

WESCO MANUFACTURING CO. LANSDALE PENNA. 19446	
PART NAME "Z" WHEEL (5/8" BALL BEARING)	DRAWN: SKH 4-12-95 CHECKED: GRB 4-28-95 APP. ENGR.
TOLERANCE UNLESS OTHERWISE SPECIFIED	
FRACTION ± 1/64	3 PLACE DECIMAL ± .005 2 PLACE DECIMAL ± .01
ANGULAR ± 1-1/2'	SHEET 1 OF 1
BREAK ALL SHARP EDGES AND REMOVE ALL BURRS	
SCALE: 1/2"=1"	B- 150589 REV A