

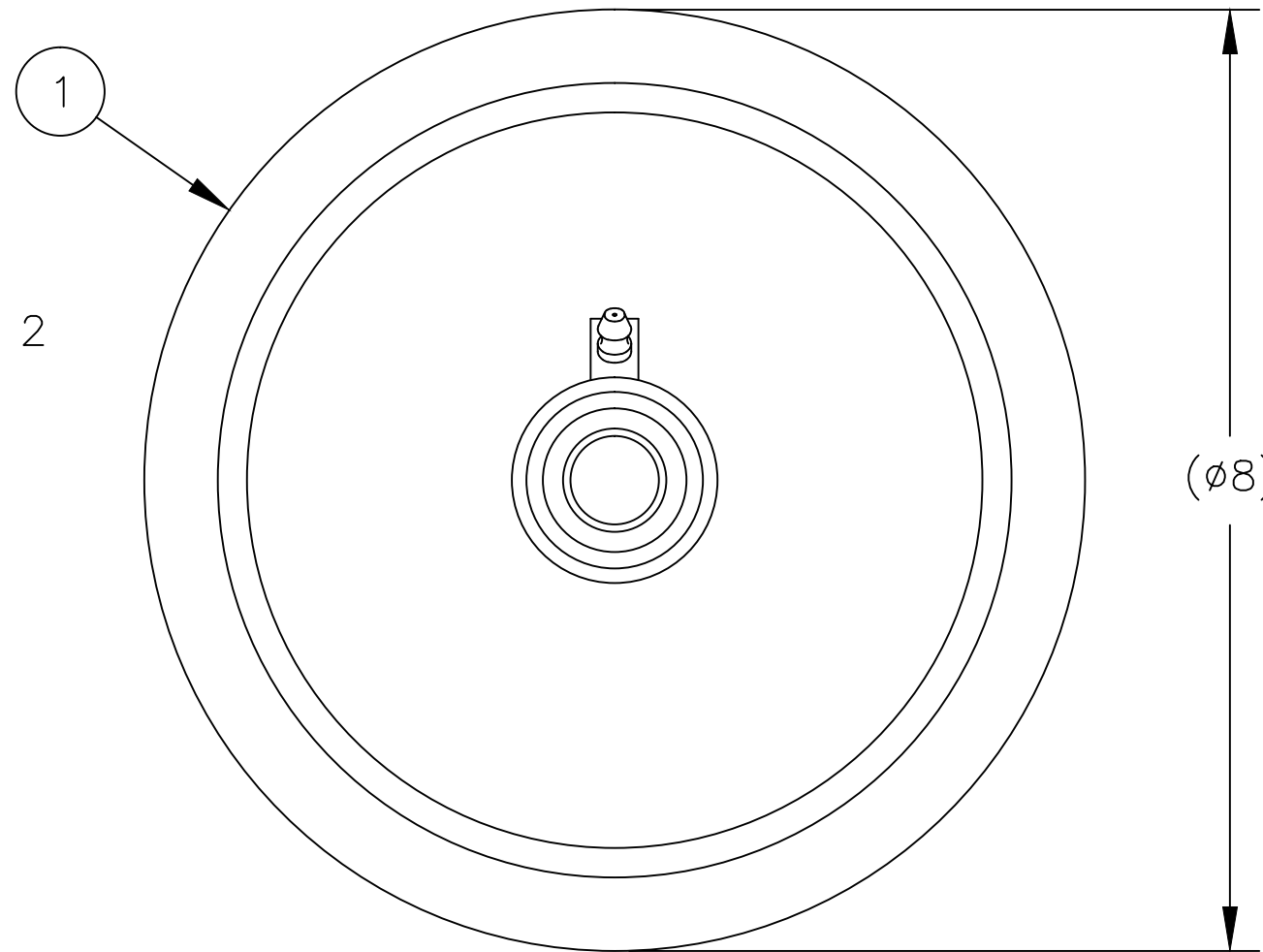
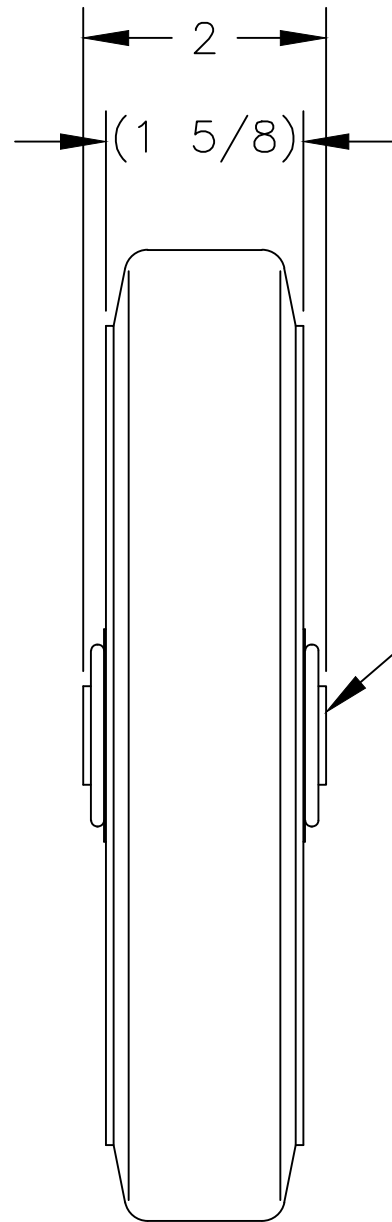
052870

NOTES:

1. 500# LOAD RATING
2. REMOVE 5/8 BALL BEARINGS TO ALLOW ASSEMBLY OF 3/4 BALL BEARINGS.

BILL OF MATERIAL

ITEM	PART NO.	DESCRIPTION	QTY.
1	108545	"R" WHEEL	1
2	172185	3/4" BALL BEARING	2



Moldon Rubber Wheel

- Diameter: 8"
- Hub Type: Solid Aluminum
- Tread Width: 1.625"
- Hub length: 2"
- Bore Id: .75"
- Approx Weight: 3 lbs
- Bearing type: Ball
- Capacity: 500 lbs

THIS DRAWING IN ALL PARTICULARS IS WESCO MFG. CO. PROPERTY. ALL RIGHTS OF DESIGN, INVENTION OR USE OF ARE RESERVED.

PRINT ISSUED

SEP 21 2007

WESCO MANUFACTURING
ENGINEERING DEPARTMENT

TG	D A S	APP
6295 09/21/07	3497 11-30-95	
172185 WAS: 108486	REVISED AND	
	REDRAWN	
C	B	REV.

WESCO MANUFACTURING CO.		LANSDALE PENNA. 19446	
PART NAME		DRAWN: SKH 11-29-95	
"RB" WHEEL ASSEMBLY (ø8 MOLD-ON RUBBER/ALUMINUM CTR)		CHECKED: DS 11-29-95	
TOLERANCE UNLESS OTHERWISE SPECIFIED		APP. ENGR.	
FRACTION	3 PLACE DECIMAL	2 PLACE DECIMAL	SCALE: 1/2"=1"
± 1/64	± .005	± .01	A- 052870 REV C
ANGULAR ± 1-1/2'	SHEET 1 OF 1		
BREAK ALL SHARP EDGES AND REMOVE ALL BURRS			