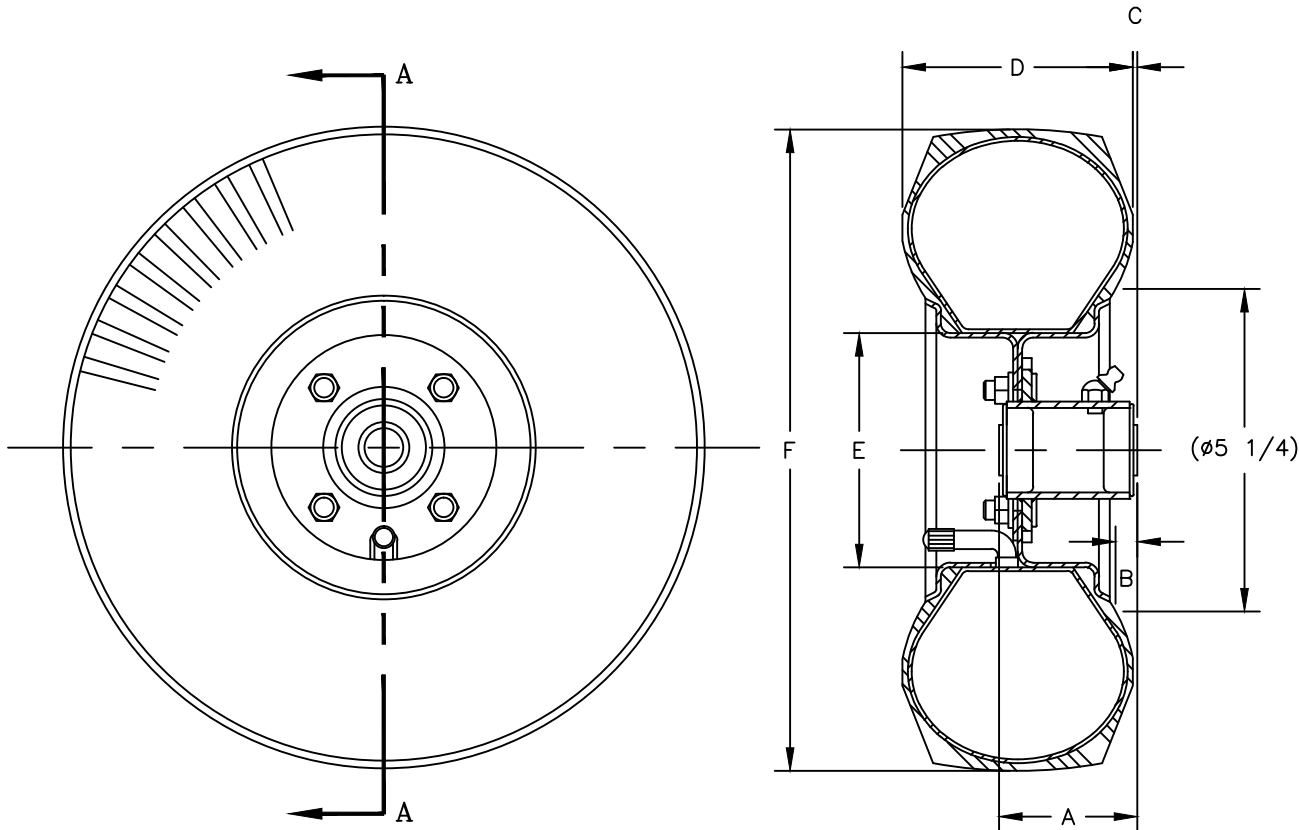


050602



SECTION "A-A"

Pneumatic Wheel

- Diameter: 10"
- Hub Type: Zinc/Steel
- Tread Width: 3.5"
- Hub length: 2.25"
- Bore Id: .625"
- Approx Weight: 4 lbs
- Bearing type: Ball
- Capacity: 350 lbs

THIS DRAWING IN ALL PARTICULARS IS WESCO MFG. CO. PROPERTY. ALL RIGHTS OF DESIGN, INVENTION OR USE OF ARE RESERVED.

| | | | | | | | |
|--|--|-----------------------|---------|---------|--------|---|--|
| | | D | A | S | APP | WESCO MANUFACTURING CO. LANSDALE PENNA. 19446 | |
| | | 3199 | 1-14-94 | REDRAWN | REV. 1 | PART NAME P-1 WHEEL ($\phi 10 \times 3 \frac{1}{2}$ PNEUMATIC) | |
| | | ECON & DATE REVISIONS | | | | DRAWN: SKH 1-3-94 | |
| | | | | | | CHECKED: DS 1-13-94 | |
| | | REV. 2 | | | | APP. ENGR. PS 1-13-94 | |
| | | | | | | SCALE: 1/2" = 1" | |
| | | REV. 3 | | | | TOLERANCE UNLESS OTHERWISE SPECIFIED | |
| | | | | | | FRACTION 3 PLACE DECIMAL 2 PLACE DECIMAL | |
| | | REV. 4 | | | | ANGULAR $\pm 1-1/2'$ SHEET 1 OF 1 | |
| | | | | | | $\pm 1/64$ $\pm .005$ $\pm .01$ | |
| | | REV. 5 | | | | B- 050602 | |
| | | | | | | BREAK ALL SHARP EDGES AND REMOVE ALL BURRS | |