

ASSEMBLY INSTRUCTION

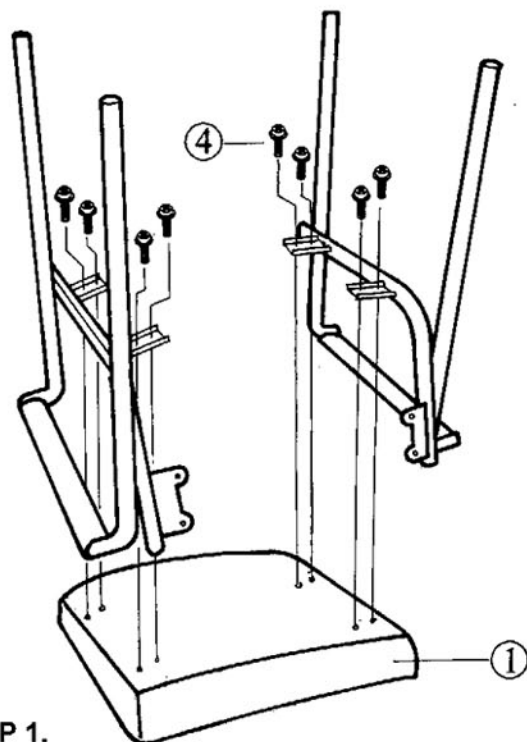
REMOVE ALL ITEMS FROM THE CARTON. VERIFY ALL PIECES BEFORE ASSEMBLY.

PARTS LIST

KEY	QTY	DESCRIPTION
1	1	SEAT
2	1	BACKREST
3	2	STEEL FRAME
4	8	M6x20mm SEAT SCREW (HEX HEAD)
5	4	M6x20mm BACKREST SCREW (ROUND HEAD)

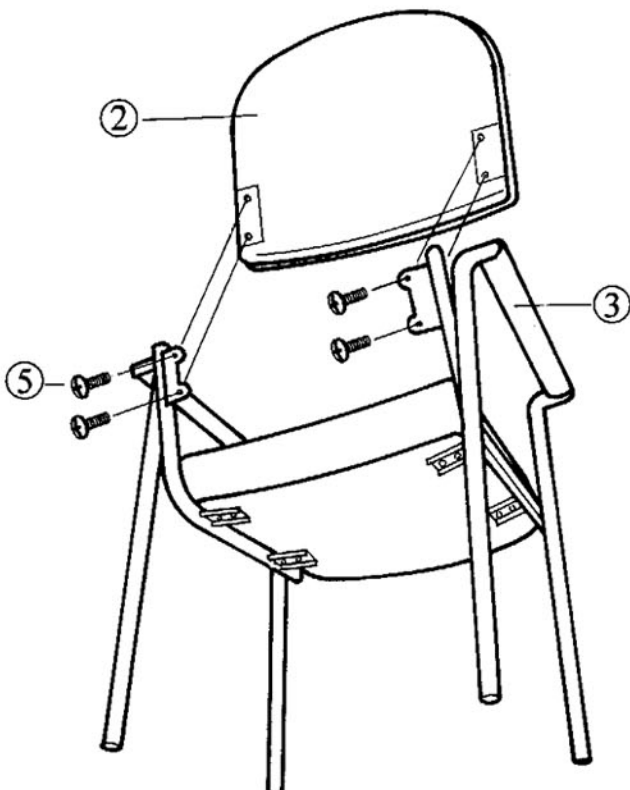
PREVENTIVE MAINTENANCE AND WARNING

- USE THIS PRODUCT ONLY FOR SEATING ONE PERSON AT A TIME.
- DO NOT USE CHAIR AS STEP STOOL/LADDER.
- DO NOT USE CHAIR UNLESS ALL BOLTS, SCREWS AND KNOBS ARE TIGHT. AT LEAST EVERY SIX MONTHS, CHECK ALL BOLTS, SCREWS AND KNOBS TO BE SURE THEY ARE TIGHT.
- IF ANY PARTS ARE MISSING, BROKEN, DAMAGED OR WORN, STOP USE OF THE PRODUCT UNTIL REPAIRS ARE MADE USING FACTORY AUTHORIZED PARTS.
- FAILURE TO FOLLOW THESE WARNINGS CAN RESULT TO SERIOUS INJURY.



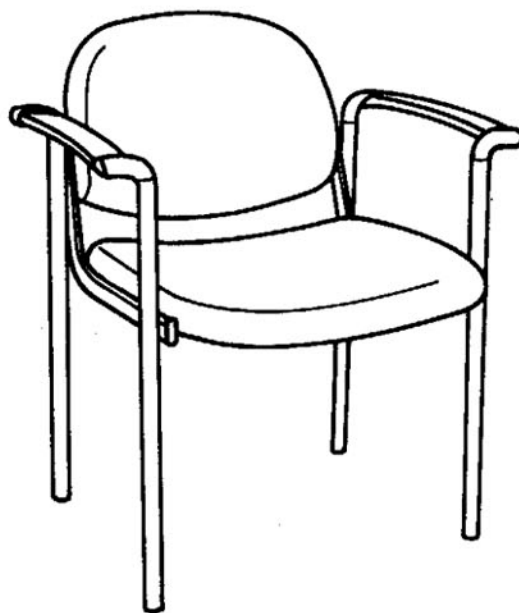
STEP 1.

- Align back of (1) seat to holes of (3) steel frame. Screw-in with (4) M6x20mm seat screw, **but not making them too tight.**



STEP 2.

- Align (2) backrest to (3) steel frame as shown. Then, screw-in with (5) M6x20mm backrest screw. Adjust (3) steel frame to reach the balance stand point. Securely tighten screws including screws of (1) seat.



- ⚠ Use caution when sitting on chair initially. Check all screws to be sure they are securely tightened.

8011 / 8012 / 8013 / 8014 / 8015 / 8016 / 8064PF