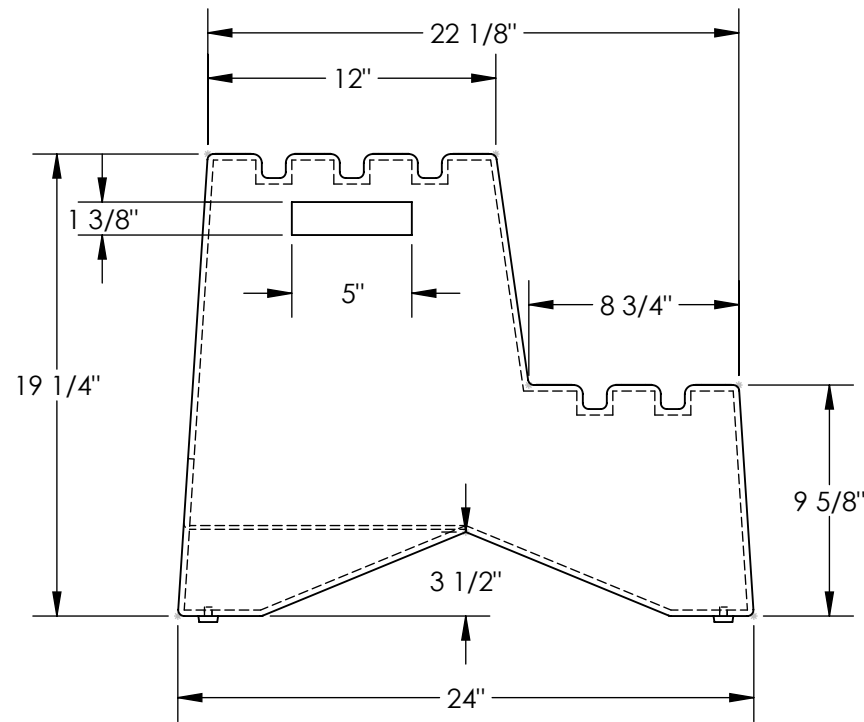
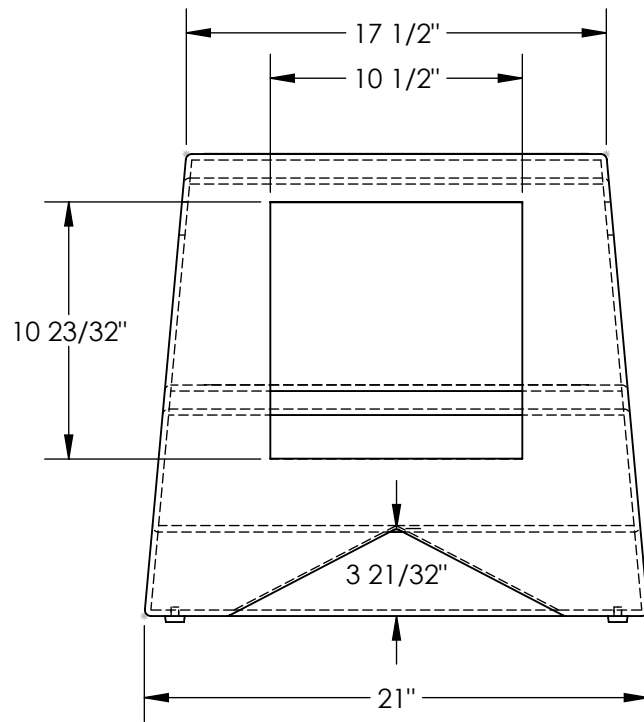


POLYETHYLENE STEP STOOL- VST-2-Y

APPROX WEIGHT: 19.26 lbs.
 DOES NOT INCLUDE WEIGHT OF POWER OR PACKAGING!!!

*** ANY ADDITIONS, DELETIONS, OR OMISSIONS MUST BE CORRECTED ON THIS DRAWING AS THIS DRAWING WILL BE CONSIDERED ALL INCLUSIVE ***
 ALL GRAPHICS PROVIDED ARE FOR REFERENCE ONLY. IF CERTAIN DIMENSIONS ARE CRITICAL PLEASE VERIFY THOSE DIMENSIONS WITH YOUR SALESPERSON



DIMENSION TOLERANCE $\pm 1/4$ "

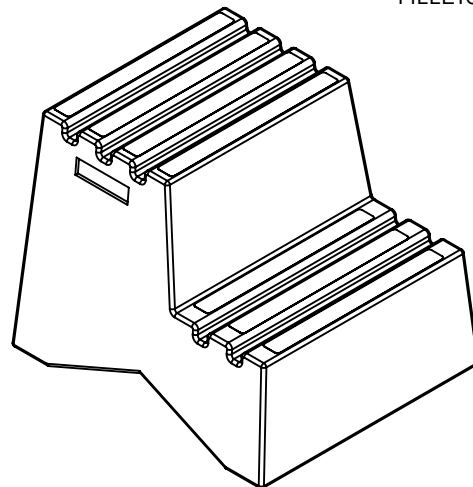
- * WALL THICKNESS 1/4"
- * FILLETS: RIDGES 3/8"
 EDGES 1/4"

STANDARD FEATURES

MODEL NUMBER IS VST-2-Y
 OVERALL WIDTH IS 21"
 USABLE WIDTH IS 17 1/2"
 OVERALL LENGTH IS 24"
 USABLE LENGTH IS 22 1/8"
 OVERALL HEIGHT IS 19 1/4"
 MAX CAPACITY IS 500LB

SPECIAL FEATURES

COLOR-YELLOW



APPROVAL

I, THE UNDERSIGNED, AGREE THAT THE PRODUCT AS REPRESENTED SATISFIES DESIGN AND DIMENSION REQUIREMENTS. I ALSO ACKNOWLEDGE MY DUTY TO CONFIRM PRODUCT AND INSTALLATION COMPLIANCE WITH ALL APPLICABLE FEDERAL, STATE AND LOCAL REGULATIONS AND STANDARDS.
ALL SPECIAL UNITS ARE NON-RETURNABLE
 As drawn As marked

Signed: _____ Date: _____

LEAD TIME WILL START UPON RECEIPT OF SIGNED APPROVAL DRAWING

DISTRIBUTOR'S NAME:		P.O.#
VESTIL MANUFACTURING		X
DRAWN BY: FS		DATE: 06/12/2014
REFERENCE: X		SALES: X
QUOTED LEAD TIME: X		SCALE: 1:8
QUOTE # X		FILE NAME: 14-007-270