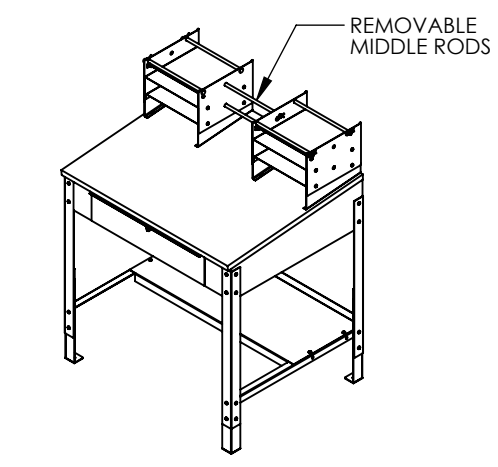
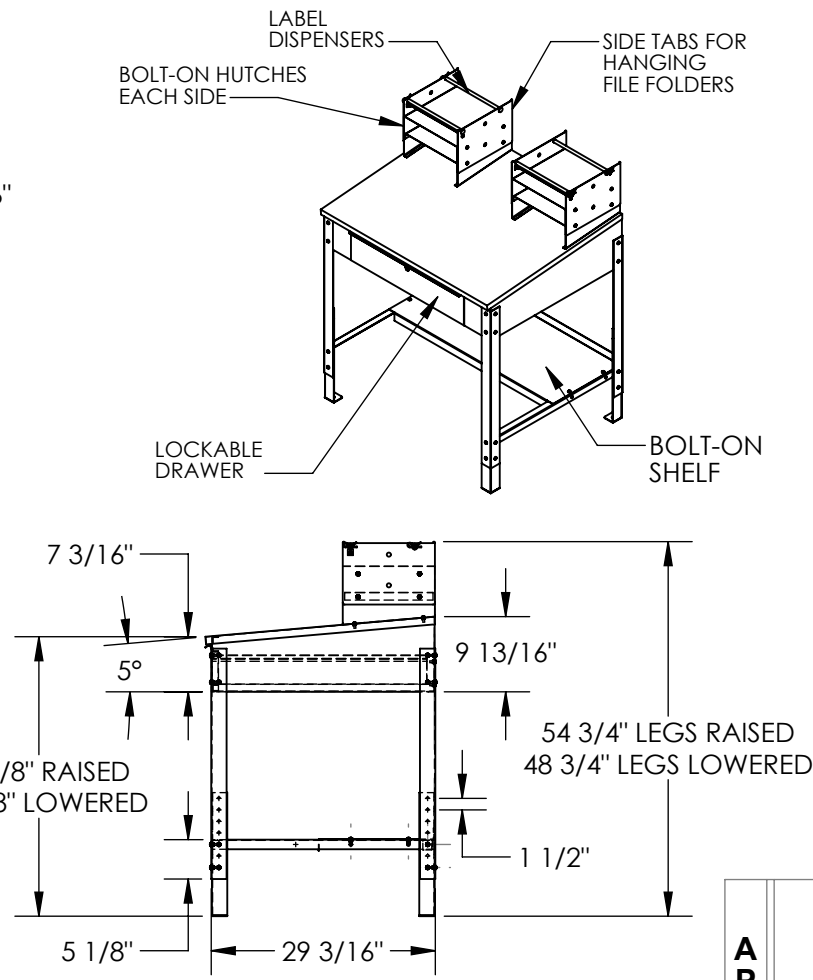
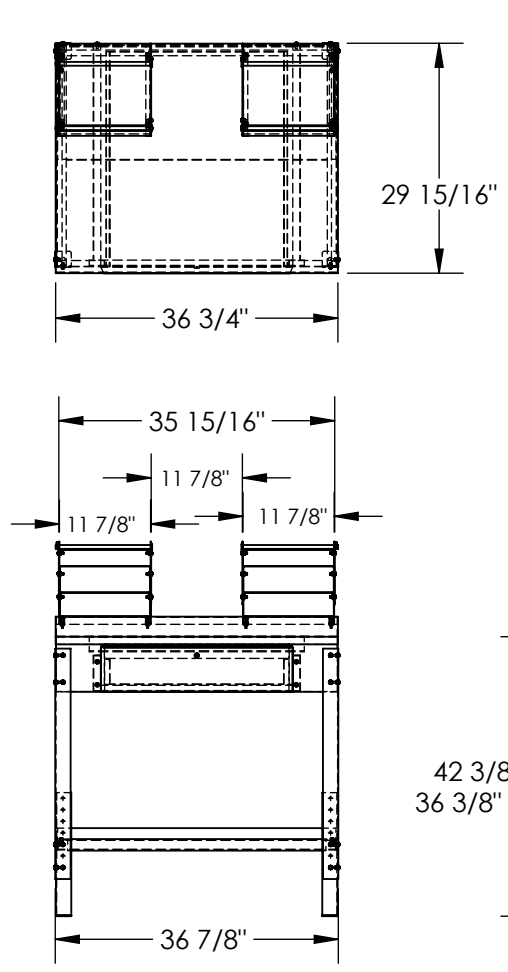


OPEN SHOP DESK - SHOP-DO

APPROX WEIGHT: 110.80 lbs.
DOES NOT INCLUDE WEIGHT OF POWER OR PACKAGING!!!

*** ANY ADDITIONS, DELETIONS, OR OMISSIONS MUST BE CORRECTED ON THIS DRAWING AS THIS DRAWING WILL BE CONSIDERED ALL INCLUSIVE ***
ALL GRAPHICS PROVIDED ARE FOR REFERENCE ONLY. IF CERTAIN DIMENSIONS ARE CRITICAL PLEASE VERIFY THOSE DIMENSIONS WITH YOUR SALESPERSON



3D VIEWS
SCALE 1:30

NOTE - MATERIAL - LEGS: 14 GAGE
- ALL OTHERS: 20 GAGE

DIMENSION TOLERANCE ± 1/4"

STANDARD FEATURES

- MODEL NUMBER IS SHOP-DO
- OVERALL WIDTH IS: 36 7/8"
- OVERALL DEPTH IS: 29 15/16"
- OVERALL RAISED HEIGHT IS: 54 3/4"
- OVERALL LOWERED HEIGHT IS: 48 3/4"
- ADJUSTABLE LEGS IN 1 1/2" INCREMENTS
- SLOPED TOP FOR ERGONOMIC COMFORT
- 24"W x 28"D x 3 1/2"H LOCKABLE DRAWER
- REMOVABLE RODS FOR TOP MIDDLE SECTION
- MIDDLE SECTION TABS CAN BE USED FOR HANGING FILE FOLDERS
- TOP END SECTIONS FEATURE LABEL DISPENSERS
- BOLT-ON TOP HUTCHES AND BOLT-ON LOWER SHELF

SPECIAL FEATURES

NONE

A P P R O V A L

I, THE UNDERSIGNED, AGREE THAT THE PRODUCT AS REPRESENTED SATISFIES DESIGN AND DIMENSION REQUIREMENTS. I ALSO ACKNOWLEDGE MY DUTY TO CONFIRM PRODUCT AND INSTALLATION COMPLIANCE WITH ALL APPLICABLE FEDERAL, STATE AND LOCAL REGULATIONS AND STANDARDS.

ANY MODIFIED UNITS ARE NON-RETURNABLE

[] As drawn [] As marked

Signed: _____ Date: _____

Printed Name: _____

LEAD TIME WILL START UPON RECEIPT OF SIGNED APPROVAL DRAWING

FOR INTERNAL USE ONLY PROJECT SIGN OFF	
SALES	
ENG.	
FAB.	
POWER	

DISTRIBUTOR'S NAME:		P.O.#
VESTIL MANUFACTURING		X
DRAWN BY: TJM	DATE: 02/13/12	W.O.#
REFERENCE: X	SCALE: 1:25	X
QUOTED LEAD TIME: X	QUOTE #	FILE NAME:
	X	30-007-234