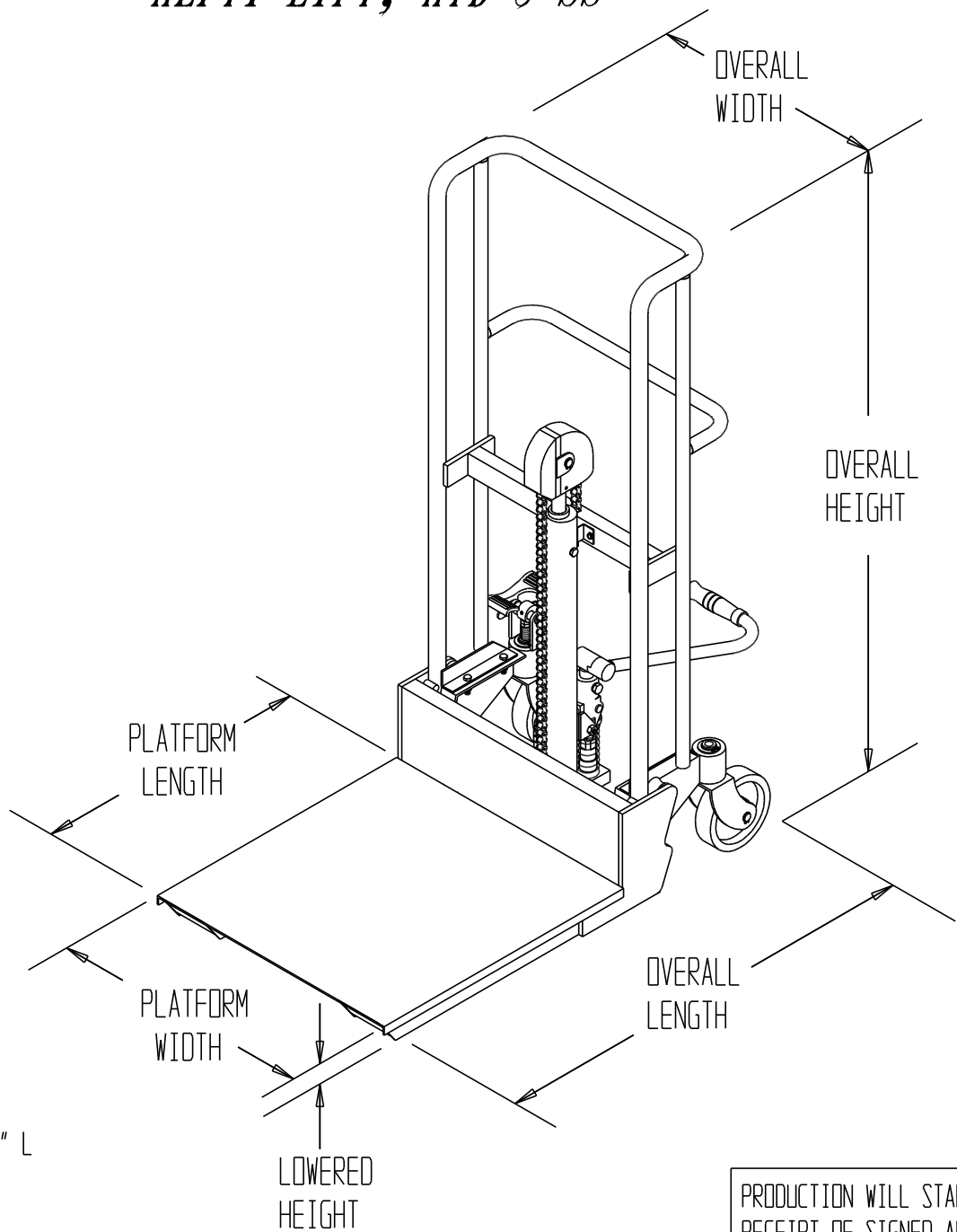


HEFTI-LIFT, HYD-5-SS



STANDARD FEATURES

MODEL NUMBER: HYD-5-SS
 CAPACITY: 450 LBS
 DECK SIZE: 21 1/4" W x 23 5/8" L
 OVERALL HEIGHT: 52 1/8"
 OVERALL LENGTH: 35 13/16"
 OVERALL WIDTH: 21 1/4"
 LOWERED HEIGHT: 6 1/4"
 RAISED HEIGHT: 45 1/4"
 HANDLE HEIGHT: 37 3/4"
 CASTERS:
 2- Ø5" x 1 1/2"
 2- Ø5" x 1 9/16"
 FOOT PUMP OPERATION

PRODUCTION WILL START UPON RECEIPT OF SIGNED APPROVAL DRAWING

**A
P
P
R
O
V
A
L** I, THE UNDERSIGNED, AGREE THAT THE PRODUCT AS REPRESENTED SATISFIES DESIGN & DIMENSION REQUIREMENTS. I ALSO ACKNOWLEDGE MY DUTY TO CONFIRM PRODUCT & INSTALLATION COMPLIANCE WITH ALL APPLICABLE FEDERAL, STATE AND LOCAL REGULATIONS & STANDARDS.
ALL SPECIAL UNITS ARE NON-RETURNABLE
 [] As drawn [] As marked
 Signed: _____ Date: _____
 LEAD TIME WILL START UPON RECEIPT OF SIGNED APPROVAL DRAWING

SPECIAL FEATURES

NONE

**SPECIAL UNITS ARE NON-RETURNABLE
 *AVAILABLE AT ADDITIONAL COSTS

DISTRIBUTOR'S NAME: VESTIL MFG		P.O.#: _
DRAWN BY: _____		W.O.#: _
DATE: _	SALES: _	
REFERENCE: _	SCALE: _	DRWG./FILE NAME: _
QUOTED LEADTIME: _	QUOTE #: _	-