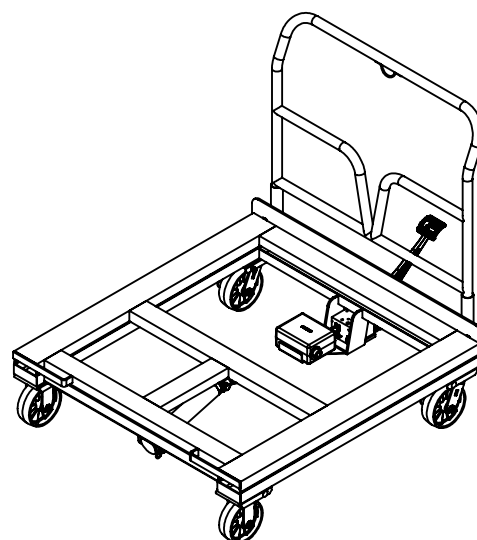
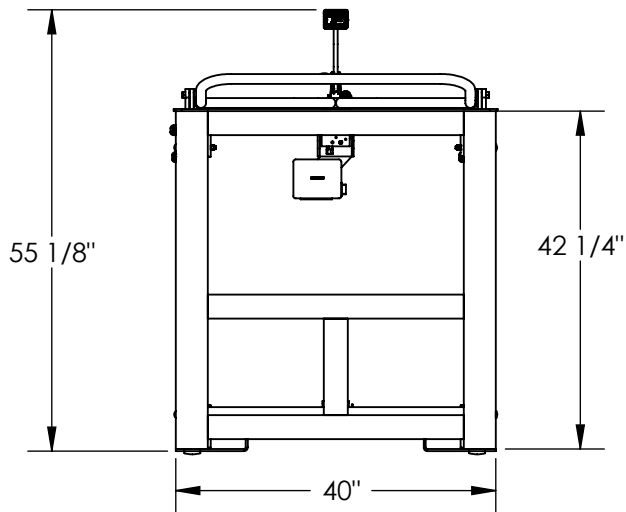


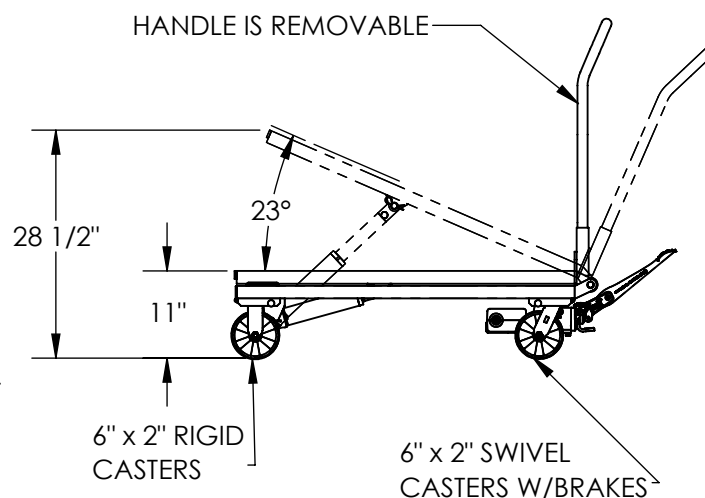
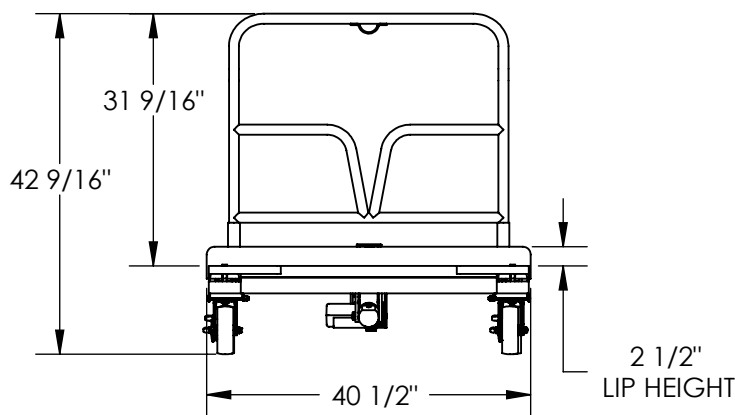
ECONOMY TRANSPORTER/TILTER - ETT-254

APPROX WEIGHT: 255.82 lbs.
DOES NOT INCLUDE WEIGHT OF POWER OR PACKAGING!!!

ANY ADDITIONS, DELETIONS, OR OMISSIONS MUST BE CORRECTED ON THIS DRAWING AS THIS DRAWING WILL BE CONSIDERED ALL INCLUSIVE



3D VIEW SHOWN FOR REFERENCE ONLY



ALL GRAPHICS PROVIDED ARE FOR REFERENCE ONLY. IF CERTAIN DIMENSIONS ARE CRITICAL PLEASE VERIFY THOSE DIMENSIONS WITH YOUR SALESPERSON

STANDARD FEATURES

- MODEL NUMBER IS: ETT-254
- CAPACITY IS: 2,500 LBS.
- OVERALL WIDTH IS: 40 1/2"
- PLATFORM WIDTH IS: 40"
- OVERALL LENGTH IS: 55 1/8"
- PLATFORM LENGTH IS: 42 1/4"
- OVERALL HEIGHT IS: 42 9/16"
- LOWERED LEVEL HEIGHT IS: 11"
- HYDRAULIC FOOT PUMP OPERATION
- MAXIMUM TILT IS: 23°
- REMOVABLE HANDLE
- 6" X 2" GLASS FILLED NYLON CASTERS (2 SWIVEL W/BRAKE, 2 RIGID)
- TOUGH BAKED IN POWDER COATED BLUE FINISH

DIMENSION TOLERANCE ± 1/4"

APPROVAL

I, THE UNDERSIGNED, AGREE THAT THE PRODUCT AS REPRESENTED SATISFIES DESIGN AND DIMENSION REQUIREMENTS. I ALSO ACKNOWLEDGE MY DUTY TO CONFIRM PRODUCT AND INSTALLATION COMPLIANCE WITH ALL APPLICABLE FEDERAL, STATE AND LOCAL REGULATIONS AND STANDARDS.

UNITS REQUIRING APPROVAL DRAWINGS OR MODIFIED ARE NON-RETURNABLE

As drawn As marked

Signed: _____ Date: _____

Printed Name: _____

LEAD TIME WILL START UPON RECEIPT OF SIGNED APPROVAL DRAWING

DISTRIBUTOR'S NAME:		P.O.#
VESTIL MANUFACTURING		X
DRAWN BY: T.MOORE		W.O.#
DATE: 05/19/10		X
REFERENCE: X	SCALE: 1:24	SALES: X
QUOTED LEAD TIME: X	QUOTE # X	FILE NAME:
		15-007-113

SPECIAL FEATURES

NONE