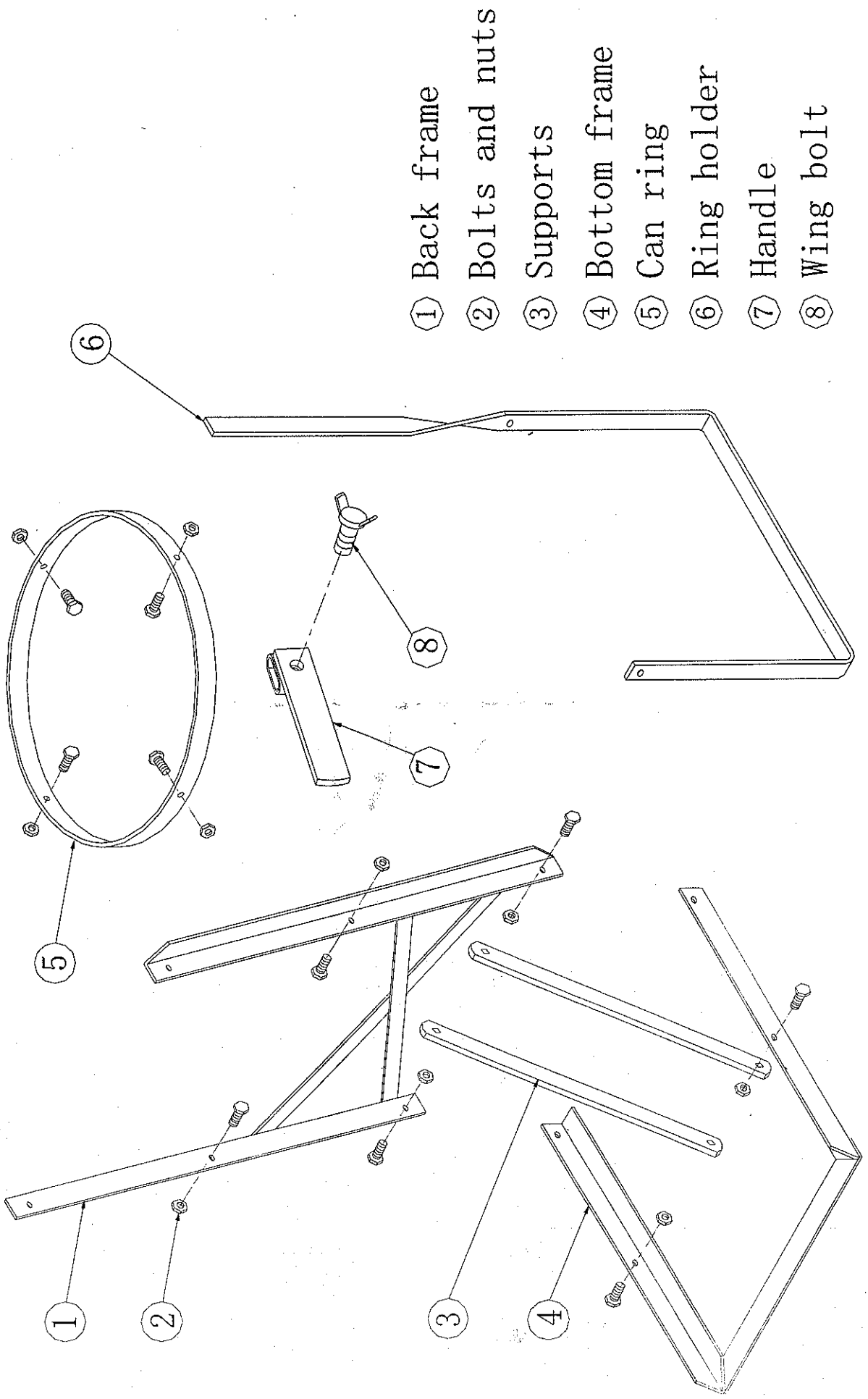
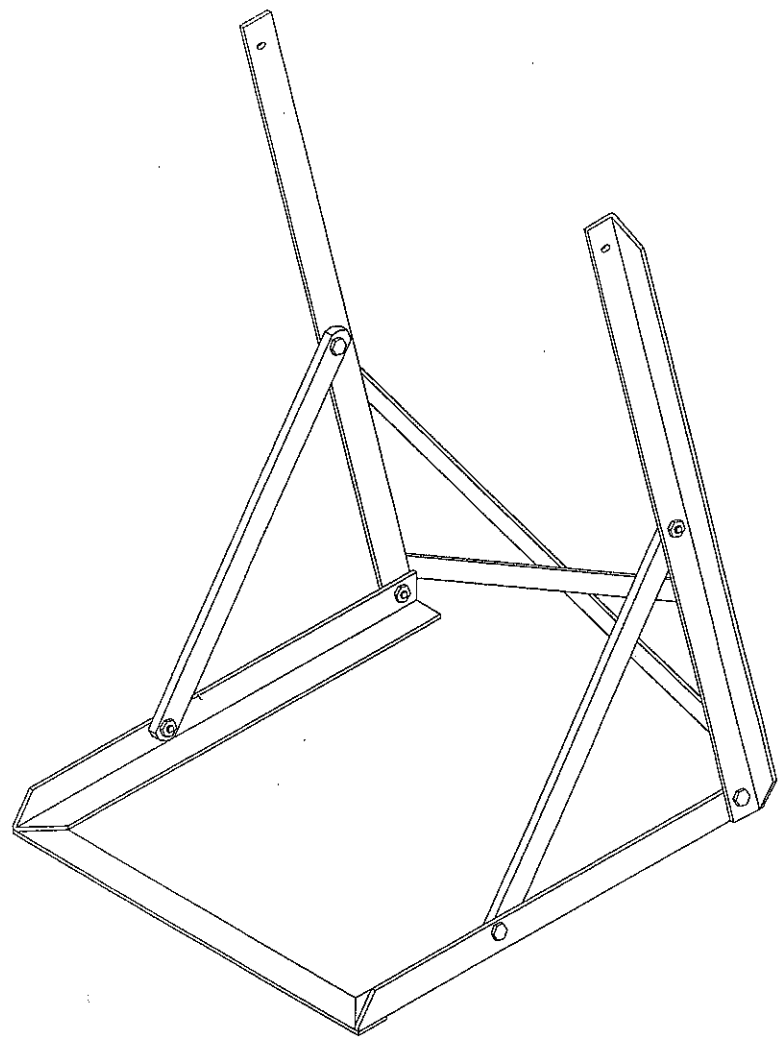
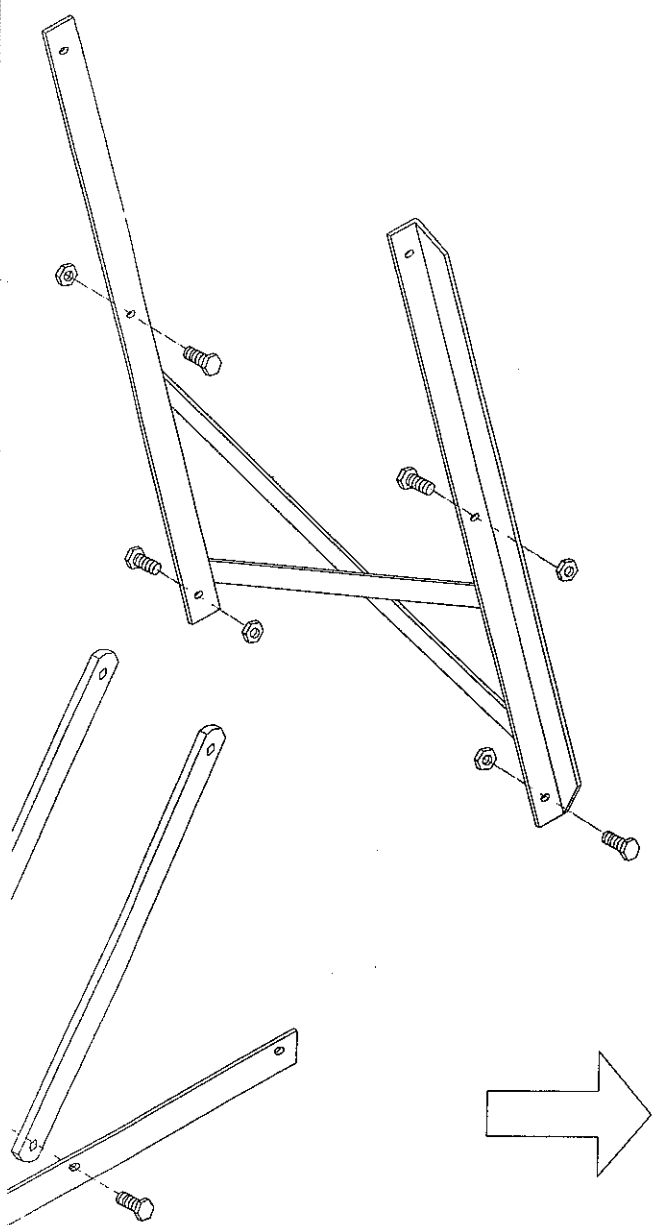


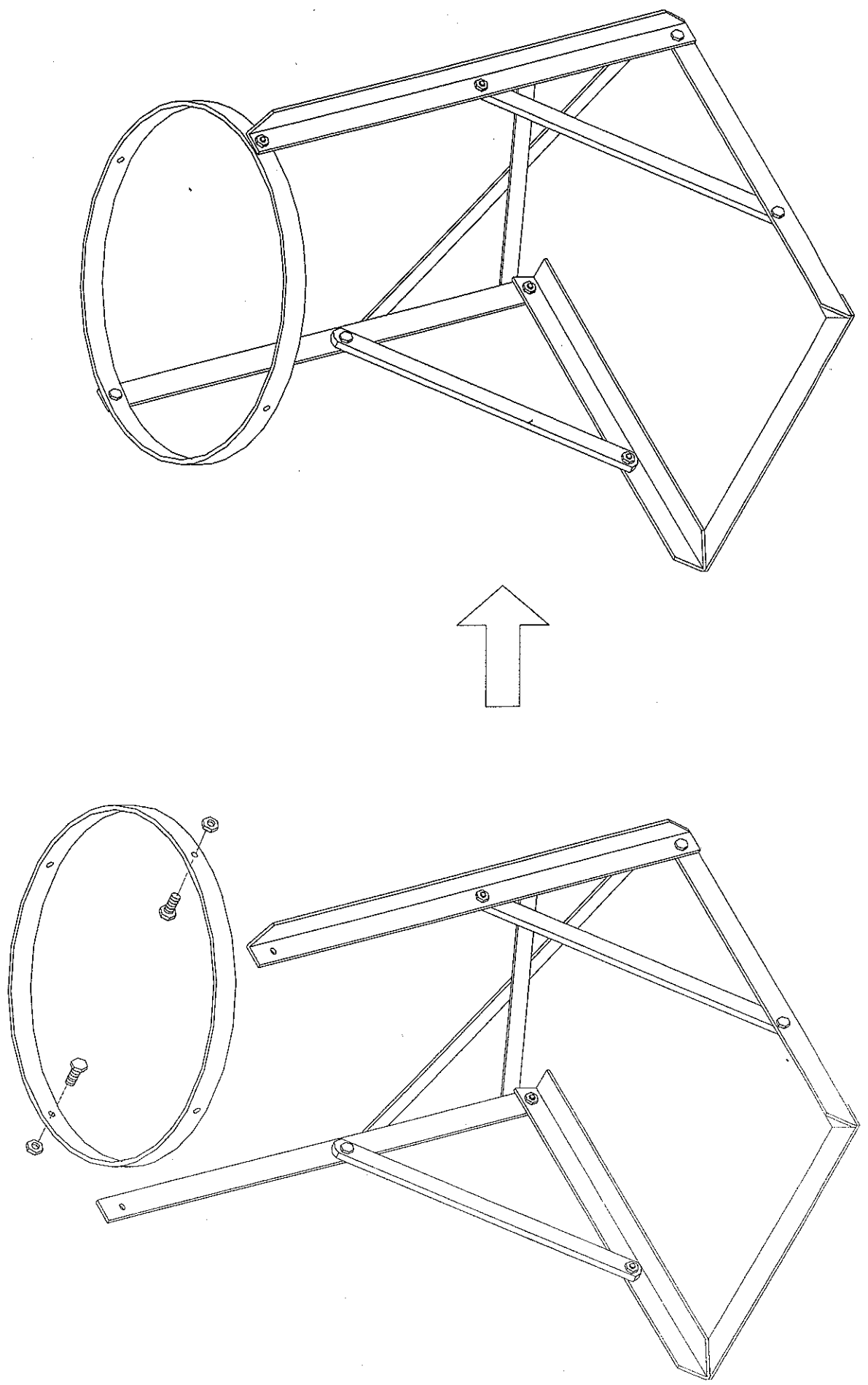
CAN-A/CAN-S Assembly Instruction Manual



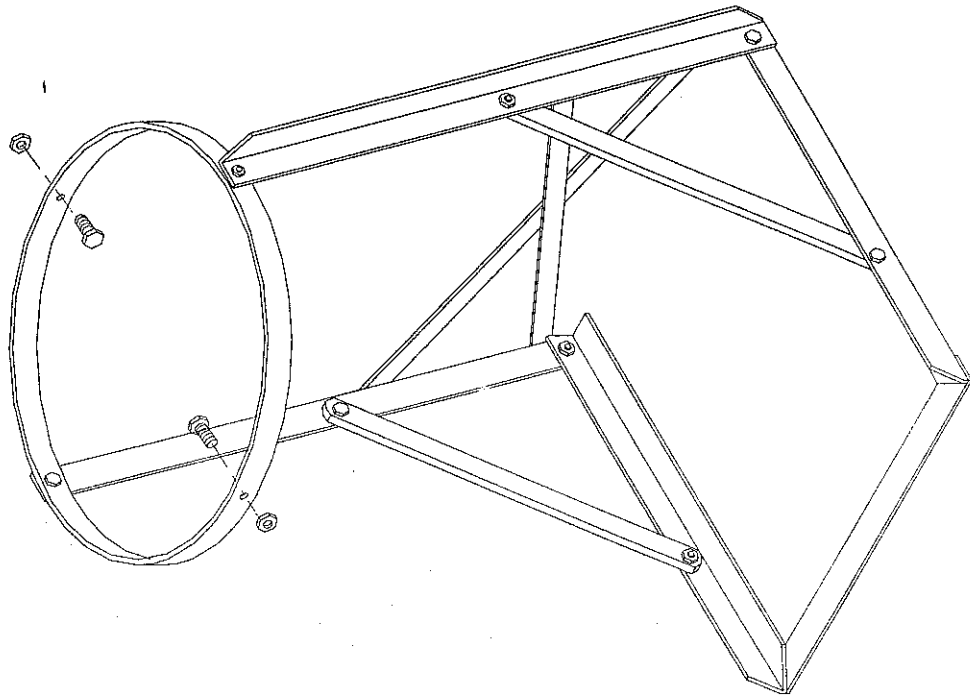
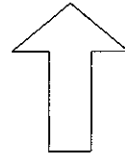
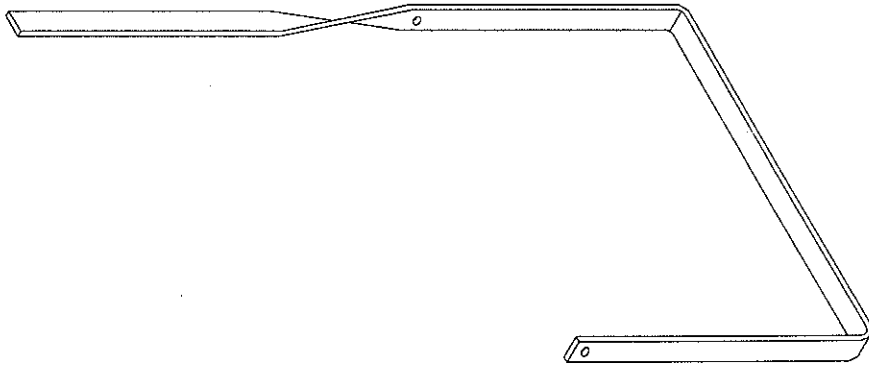
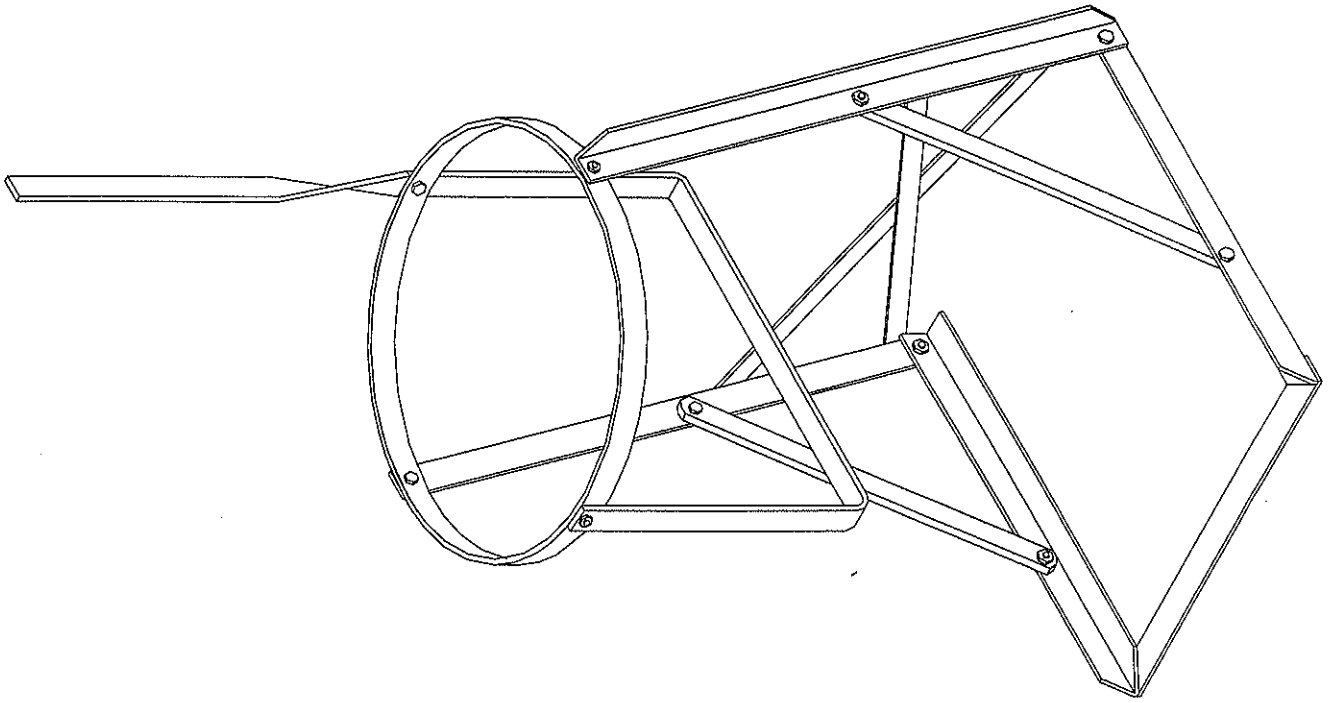
- ① Back frame
- ② Bolts and nuts
- ③ Supports
- ④ Bottom frame
- ⑤ Can ring
- ⑥ Ring holder
- ⑦ Handle
- ⑧ Wing bolt



Step 2



Step 3



Step 4

