

Vestil Manufacturing Corporation
 2999 North Wayne St., Angola, IN 46703
 Ph: 260-665-7586 • Fax: 260-665-1339
 E-mail: sales@vestil.com
 Website: www.vestil.com

Revised 0107

A company dedicated to solving ergonomic and material handling problems since 1955.

OWNER'S MANUAL

ALTERNATING-TREAD STAIR • Series ATS

Contents

| | | | |
|------------------------------|---|--|---|
| Receiving Instructions | 1 | Specification Drawing | 2 |
| Warranty | 1 | Assembly/Installation Instructions | 3 |
| Specification Chart | 1 | | |

RECEIVING INSTRUCTIONS

Every unit is thoroughly tested and inspected prior to shipment. However, it is possible that the unit may incur damage during transit. If damage is noticed when unloading, make a note of it on the **BILL OF LADING**. Remove all packing and strapping material, then inspect the unit again for damage. **IF DAMAGE IS EVIDENT, FILE A CLAIM WITH THE CARRIER IMMEDIATELY!**

WARRANTY

This product is warranted for 90 DAYS from date of purchase to be free of manufacturing defects in material and workmanship.

This warranty does not cover normal wear of parts or damage resulting from any of the following: negligent use or misuse of the product, a use or application contrary to installation instructions, or the disassembly, repair or alteration by any person prior to authorization from a factory representative.

SPECIFICATIONS (for Drawing on Back)

| Model Number | Number of Steps | Height (A) | Length (B) | Step Height (C) | Angle (D) | Handrail Height (E) | Usable Step Length (F) | Bottom Handrail Height (G) |
|--------------|-----------------|------------|------------|-----------------|-----------|---------------------|------------------------|----------------------------|
| ATS-4-56 | 7 | 48" | 36-5/8" | 6-7/8" | 56° | 17-3/16" | 9-1/4" | 27-1/2" |
| ATS-5-56 | 8 | 60" | 44-11/16" | 7-1/2" | 56° | 17-3/16" | 10-1/8" | 27-1/2" |
| ATS-6-56 | 10 | 72" | 52-13/16" | 7-3/16" | 56° | 17-3/16" | 9-11/16" | 27-1/2" |
| ATS-7-56 | 12 | 84" | 60-7/8" | 7" | 56° | 17-3/16" | 9-7/16" | 27-1/2" |
| ATS-8-56 | 13 | 96" | 69" | 7-3/8" | 56° | 17-3/16" | 9-15/16" | 27-1/2" |
| ATS-9-56 | 15 | 108" | 77-1/16" | 7-3/16" | 56° | 17-3/16" | 9-11/16" | 27-1/2" |
| ATS-10-56 | 16 | 120" | 85-3/16" | 7-1/2" | 56° | 17-3/16" | 10-1/8" | 27-1/2" |
| ATS-4-68 | 6 | 48" | 26" | 6-7/8" | 68° | 10-13/16" | 5-9/16" | 34" |
| ATS-5-68 | 7 | 60" | 30-13/16" | 7-1/2" | 68° | 10-13/16" | 6-1/16" | 34" |
| ATS-6-68 | 9 | 72" | 35-11/16" | 7-3/16" | 68° | 10-13/16" | 5-13/16" | 34" |
| ATS-7-68 | 10 | 84" | 40-9/16" | 7" | 68° | 10-13/16" | 5-11/16" | 34" |
| ATS-8-68 | 11 | 96" | 45-3/8" | 7-3/8" | 68° | 10-13/16" | 5-15/16" | 34" |
| ATS-9-68 | 13 | 108" | 50-1/4" | 7-3/16" | 68° | 10-13/16" | 5-13/16" | 34" |
| ATS-10-68 | 14 | 120" | 55-1/16" | 7-1/2" | 68° | 10-13/16" | 6-1/16" | 34" |



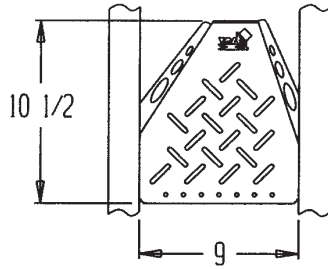
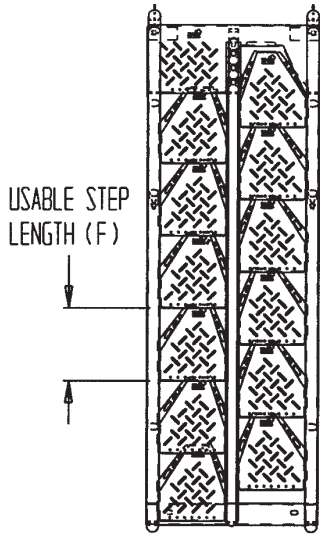
**ALTERNATING-TREAD STAIR
 Series ATS**

ENGLISH

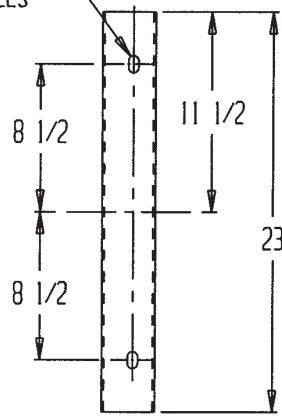
ESPAÑOL

FRANÇAIS

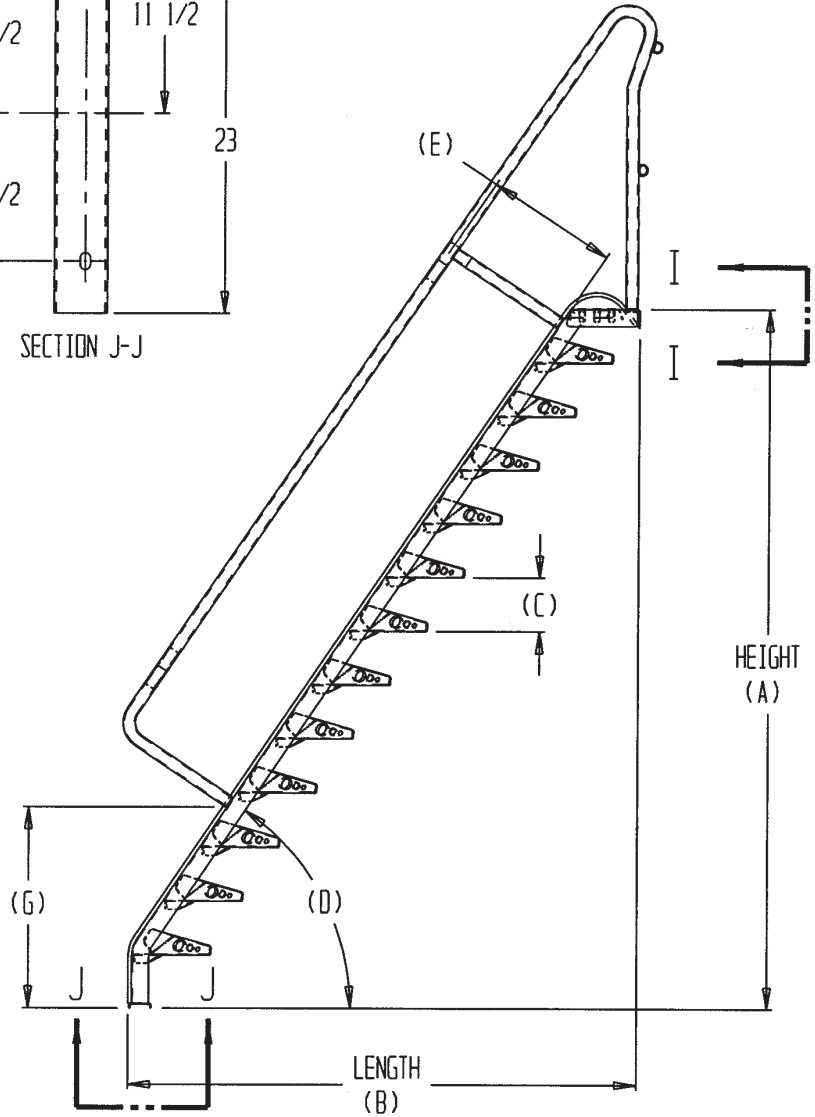
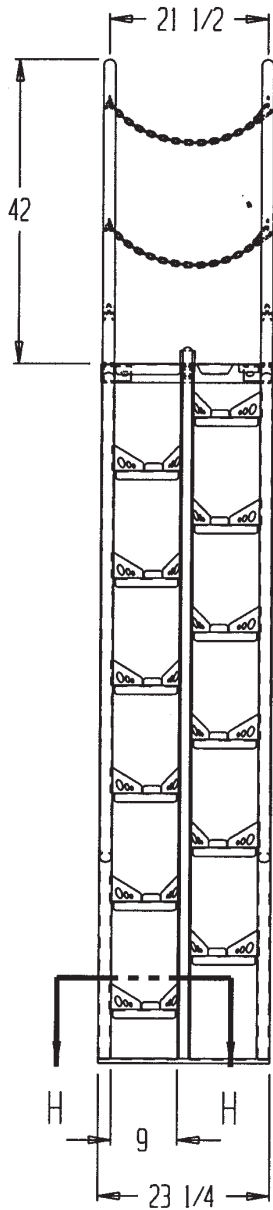
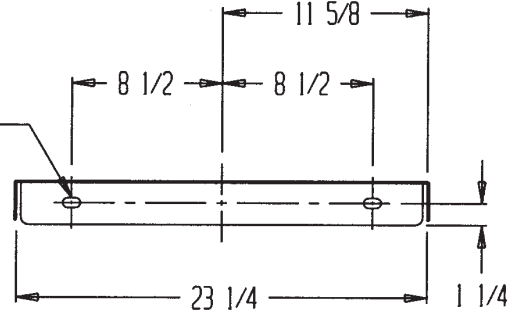
SPECIFICATION DRAWING



Ø 9/16 X 1
SLOT
2 PLACES



Ø 9/16 X 1
SLOT
2 PLACES



ASSEMBLY / INSTALLATION INSTRUCTIONS

Review this entire page before installing the stair. Consult the factory in the event there are any questions or problems at the time of installation.

- The alternating-tread stair is intended for installations requiring a stair having an angle of inclination of 56° to 68° to the horizon. It has a maximum load capacity of 300 pounds.
- Modifications to the stair without prior manufacturer's authorization may void the stair's warranty.
- The stair must be appropriately anchored at the top and bottom before use.
- The installation must be made so that it complies with all the building regulations applicable to the location. The end-user must verify that the stair is installed so it will be suited for the application in which it will be used.
- Installation must be performed by suitably trained personnel with access to the appropriate equipment.

TOOLS FOR INSTALLATION:

1. A fork truck or hoisting means to unload the lift from the freight truck. It will also be advantageous to have the lifting device to help set the stair into place.
2. Tools and hardware appropriate for the selected method of installation. Consult the building's architect or facility engineer to determine the best type of hardware with which to anchor the stair.

ASSEMBLY:

1. Turn the stair on its side.
2. Secure the lower handrail (consult the included assembly drawing for identification of the handrails) to the lower end of the tread runner using a 1/2" flat washer, lock washer, and bolt.
3. Slide the upper handrail onto the lower handrail.
4. Secure the end of the upper handrail and its support bracket using 1/2" flat washers, lock washers, and bolts.
5. Turn the unit on the opposite side and repeat steps 2 - 4.

INSTALLATION:

1. Stand the stair upright, with the highest step resting against the side of, and the top step even with, the upper floor level.
2. Attach the top of the stair by installing appropriate hardware through the hole and slot located in the edge of the top step.
3. *Warning!* Do not stand on the stair until the installation is complete.
4. Attach the bottom of the stair to the lower floor level using appropriate hardware through the slots in the base channel.
5. Align the bottom and top ends of the stairs so the stair is perpendicular to the wall it is being mounted against, and tighten all hardware wrench-tight.
6. There are snap hooks on the ends of each of the two included safety chains. Attach one end of each chain to a d-ring on one of the upper handrail's vertical posts. Attach the other end of each chain to a d-ring on the opposite post. Keep the chains secured across the top stair opening when the stairs is not being used.

Periodically check that all the stair fasteners are maintained wrench tight.

