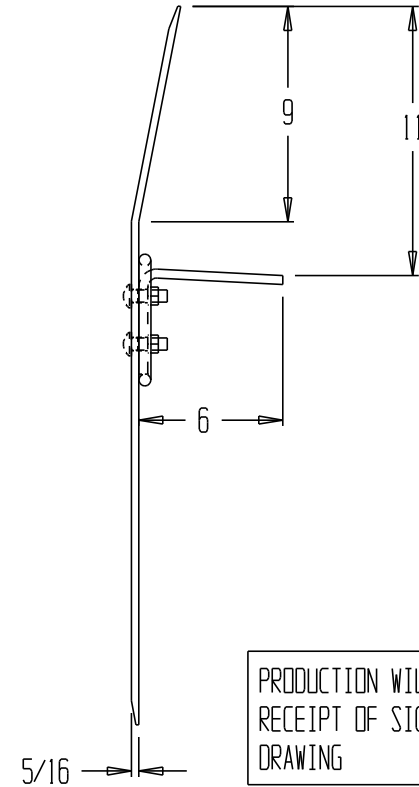
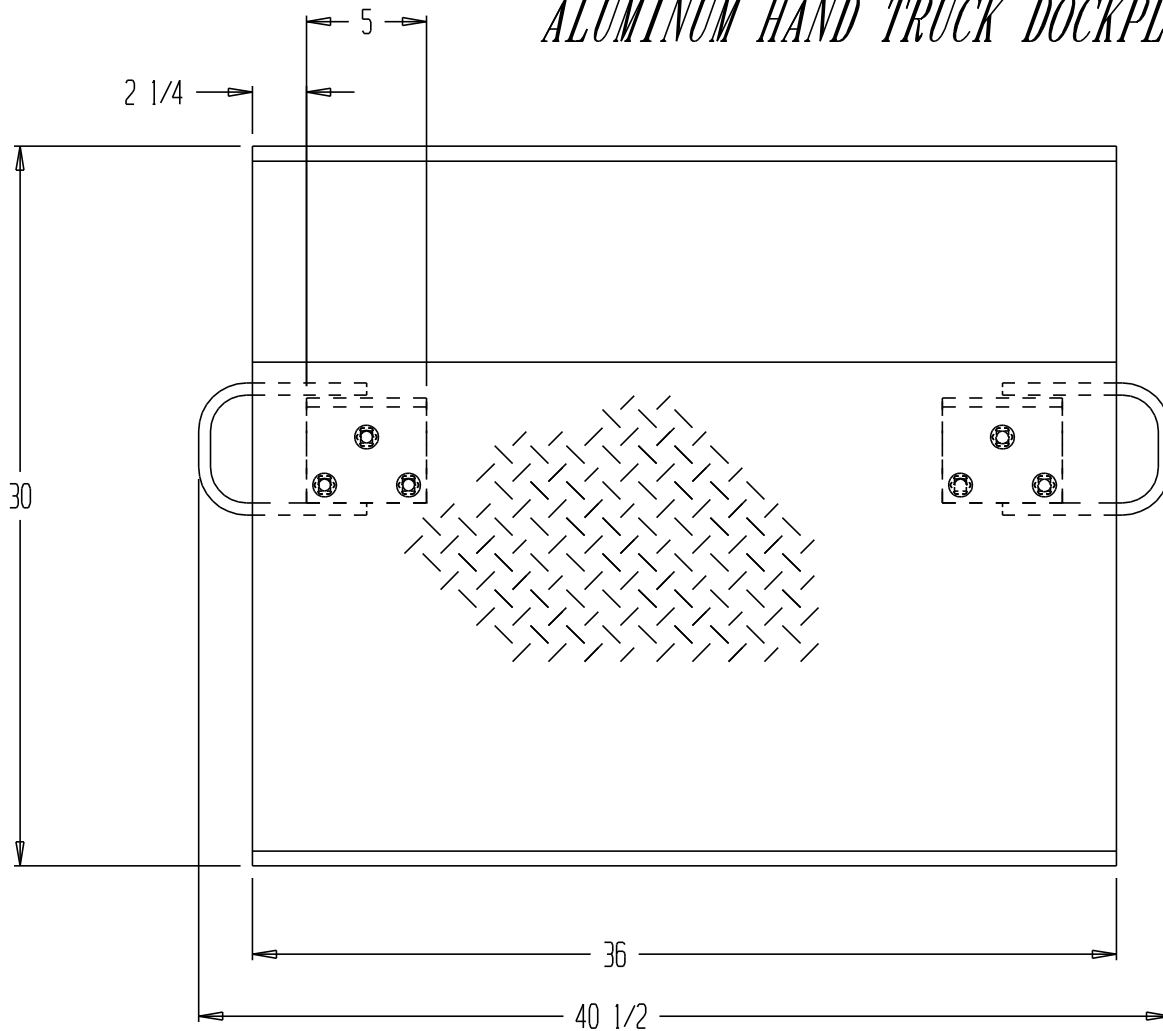


ALUMINUM HAND TRUCK DOCKPLATE, AH-3630



PRODUCTION WILL START UPON RECEIPT OF SIGNED APPROVAL DRAWING

STANDARD FEATURES

MODEL NUMBER: AH-3630
 CAPACITY: 700 LBS.
 USABLE WIDTH: 36"
 OVERALL WIDTH: 40 1/2"
 OVERALL LENGTH: 30"
 PLATE THICKNESS: 5/16"
 HEIGHT DIFFERENTIAL: 4"

SPECIAL FEATURES:

NONE

**SPECIAL UNITS ARE NON-RETURNABLE
 *AVAILABLE AT ADDITIONAL COSTS

APPROVAL

I, the undersigned, hereby approve this print
 As drawn As marked
 This includes my approval of design & dimensions.
 Signed: _____
 Date: _____

DISTRIBUTOR'S NAME: T & S EQUIPMENT		P.O.#: _
DRAWN BY: S ROSE		W.O.#: _
DATE: 6-23-04		SALES: _
REFERENCE: -	DRWG./FILE NAME: 12-007-113	scale: 1:8