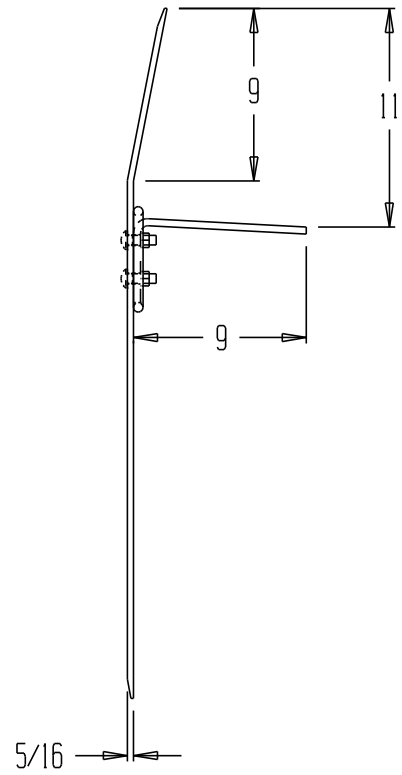
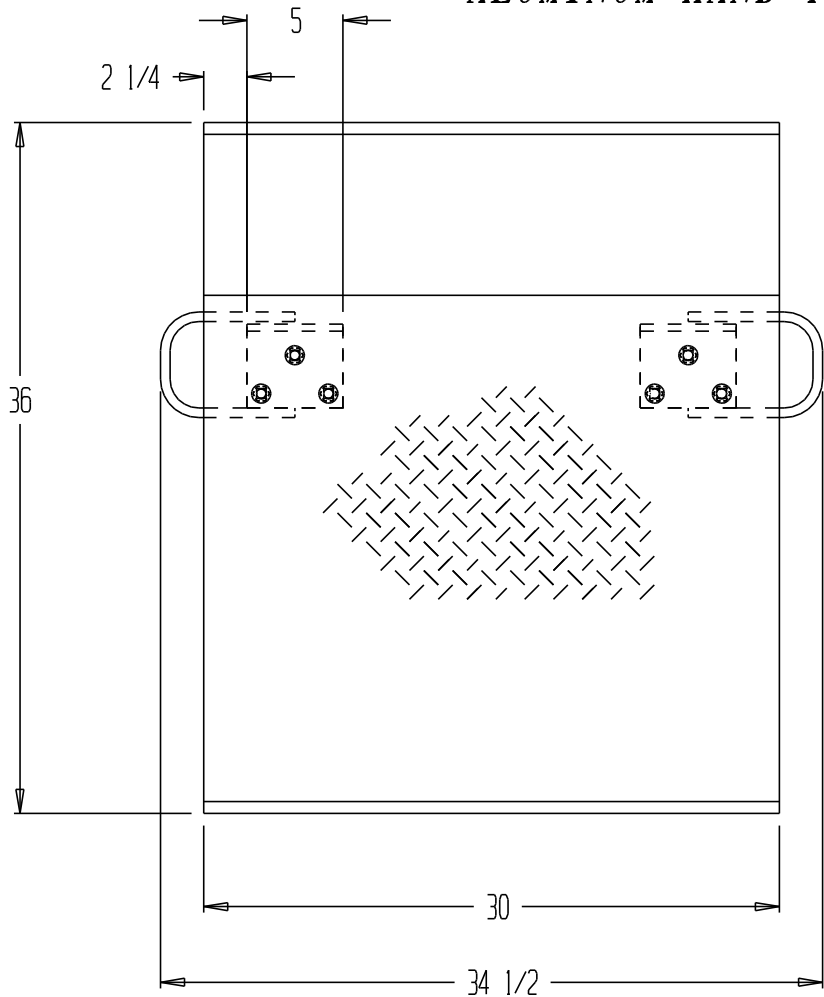


ALUMINUM HAND TRUCK DOCKPLATE, AH-3036



PRODUCTION WILL START UPON
RECEIPT OF SIGNED APPROVAL
DRAWING

STANDARD FEATURES

- MODEL NUMBER: AH-3036
- CAPACITY: 700 LBS.
- USABLE WIDTH: 30"
- OVERALL WIDTH: 34 1/2"
- OVERALL LENGTH: 36"
- PLATE THICKNESS: 5/16"
- HEIGHT DIFFERENTIAL: 5"

SPECIAL FEATURES:

NONE

APPROVAL

I, the undersigned, hereby approve this print
 As drawn As marked
 This includes my approval of design & dimensions.
 Signed: _____
 Date: _____

DISTRIBUTOR'S NAME: T & S EQUIPMENT		P.O.#: _
DRAWN BY: S ROSE		W.O.#: _
DATE: 6-23-04		SALES: _
REFERENCE: -		DRWG./FILE NAME: 12-007-110
scale: 1:10		

**SPECIAL UNITS ARE NON-RETURNABLE
 *AVAILABLE AT ADDITIONAL COSTS