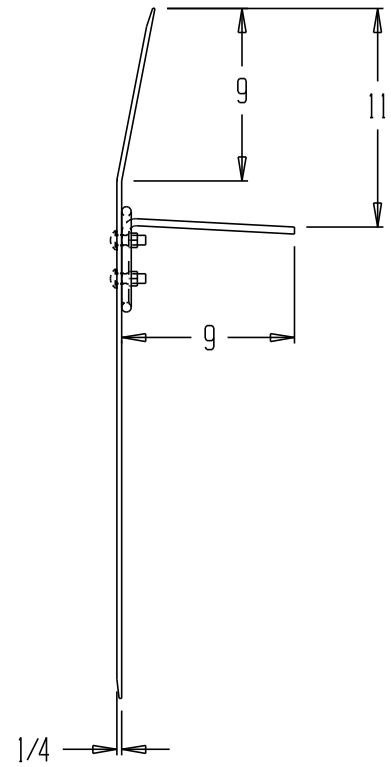
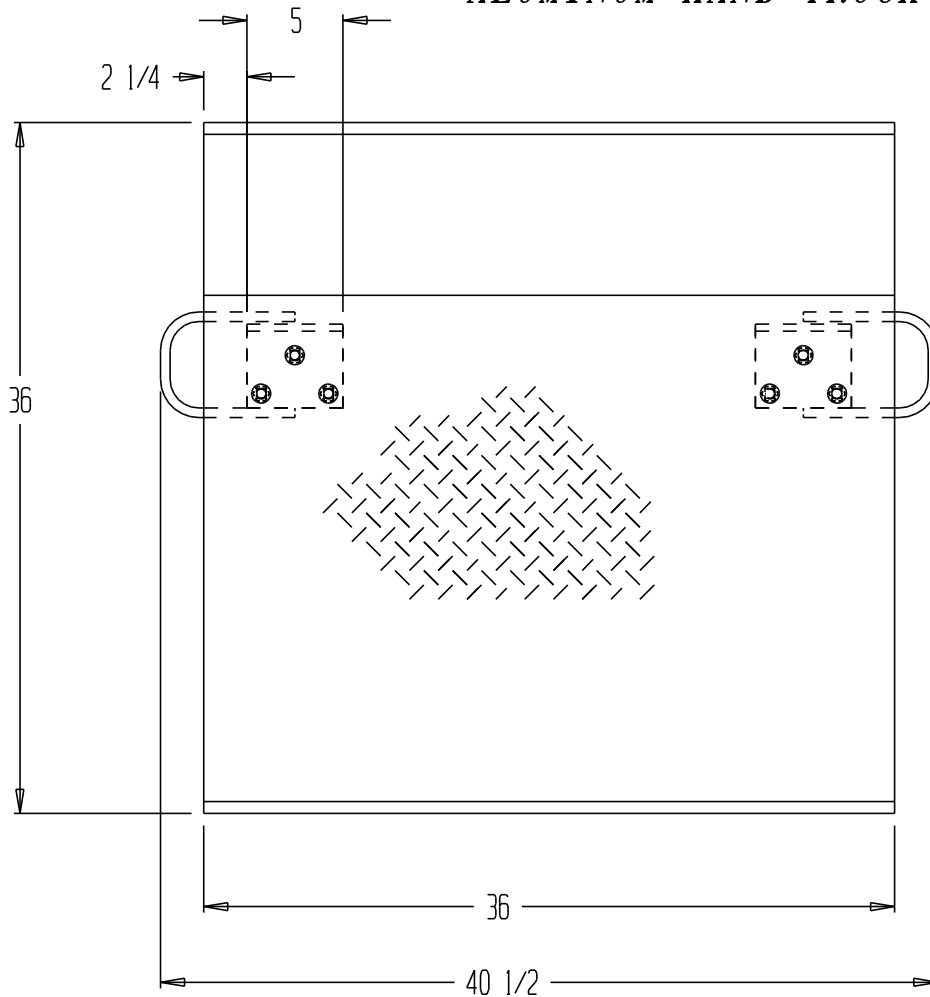


# ALUMINUM HAND TRUCK DOCKPLATE, A-3636



PRODUCTION WILL START UPON  
RECEIPT OF SIGNED APPROVAL  
DRAWING

## STANDARD FEATURES

- MODEL NUMBER: A-3636
- CAPACITY: 500 LBS.
- USABLE WIDTH: 36"
- OVERALL WIDTH: 40 1/2"
- OVERALL LENGTH: 36"
- PLATE THICKNESS: 1/4"
- HEIGHT DIFFERENTIAL: 5"

## SPECIAL FEATURES:

NONE

\*\*SPECIAL UNITS ARE NON-RETURNABLE  
\*AVAILABLE AT ADDITIONAL COSTS

## APPROVAL

I, the undersigned, hereby approve this print  
 As drawn       As marked  
 This includes my approval of design & dimensions.  
 Signed: \_\_\_\_\_  
 Date: \_\_\_\_\_

DISTRIBUTOR'S NAME: <b>T &amp; S EQUIPMENT</b>		P.O.#: _
DRAWN BY: S ROSE		W.O.#: _
DATE: 6-23-04		SALES: _
REFERENCE: -		DRWG./FILE NAME: 12-007-106
-		scale: 1:10