

ASSEMBLY INSTRUCTION

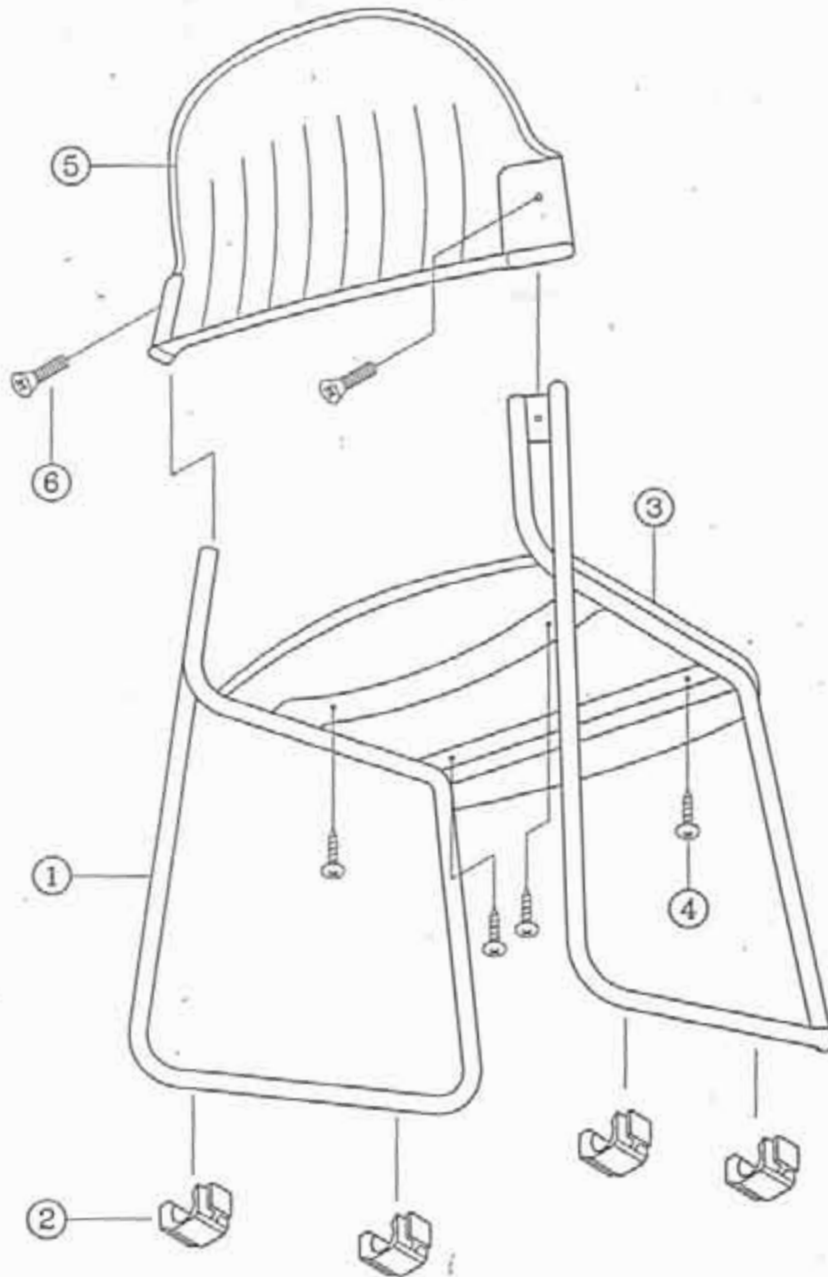
Remove all items from the carton . Verify all pieces before assembly.

PART LIST

KEY	QTY	DESCRIPTION
1	1	Steel Frame
2	4	Floor Glide
3	1	Seat
4	4	Seat Screw
5	1	Backrest
6	2	Backrest Screw

PREVENTIVE MAINTENANCE AND WARNING!

- USE THIS PRODUCT ONLY FOR SEATING ONE PERSON AT A TIME.
- DO NOT USE THIS CHAIR AS A STEP STOOL / LADDER.
- DO NOT USE CHAIR UNLESS ALL BOLTS , SCREWS AND KNOBS ARE TIGHT . AT LEAST EVERY SIX MONTHS , CHECK ALL BOLTS , SCREWS AND KNOBS TO BE SURE THEY ARE TIGHT.
- IF ANY PARTS ARE MISSING,BROKEN,DAMAGED OR WORN,STOP USE OF THE PRODUCT UNTIL REPAIRS ARE MADE USING FACTORY AUTHORIZED PARTS.
- FAILURE TO FOLLOW THESE WARNINGS COULD RESULT TO SERIOUS INJURY.



★ Use caution when sitting on chair initially . Check all screws to be sure they are securely tightened.



OFFICE STAR™
PRODUCTS

STC3030 / STC3032/STC3036

Thank you for purchasing a quality Office Star Product Chair . If you are missing a part or require assistance with assembly...

RETURN TO STORE

Office Hours