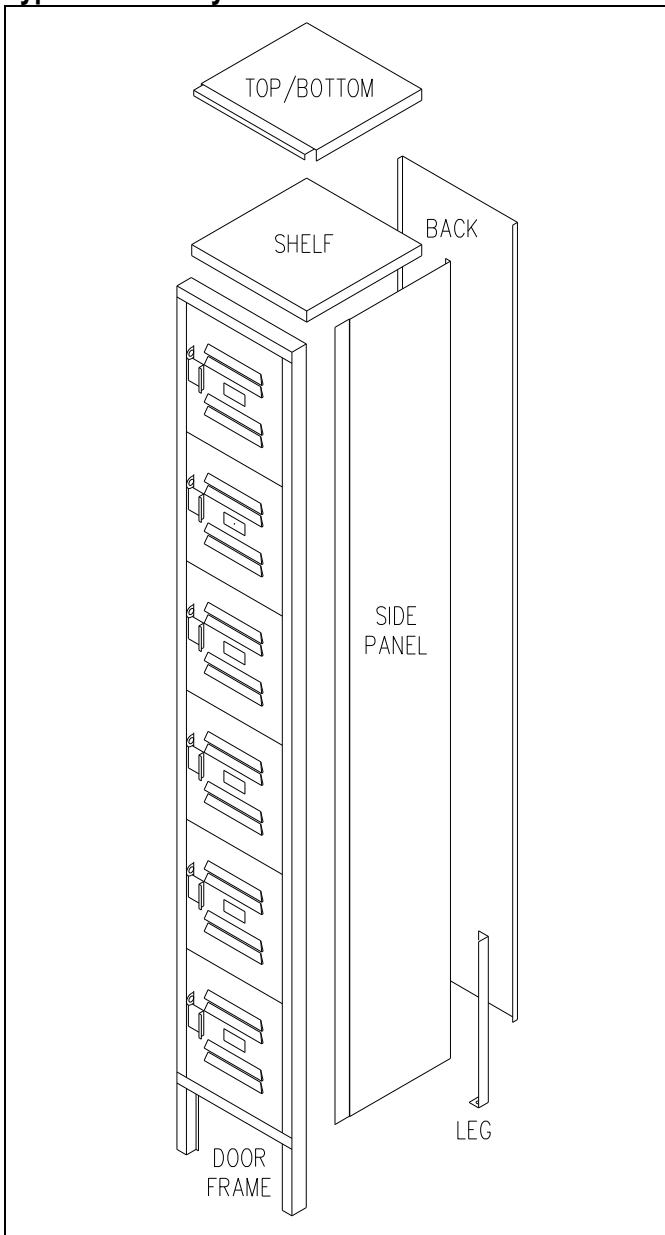


# 12" Wide Standard Lockers – 66000 Series

## Box Style Bridge Installation Instructions

Thank you for selecting Salsbury's 12" wide box style bridge lockers. We are confident that the quality and construction of the lockers will prove to be a good investment. These instructions are intended to assist you in a typical anchored locker installation. Individual job conditions will dictate the type of anchor fasteners and whether the lockers must be anchored to the wall, the floor, or both.

### Typical Assembly of End Units



### Notes

When lockers are set in place, care must be taken to assure lockers are set plumb and true before anchoring.

Lockers are not designed as freestanding structures. Lockers must be anchored securely to walls and/or floors with fasteners. The anchoring fasteners are not provided. Choose appropriate hardware for the installation conditions. **WARNING: Failure to properly anchor lockers could cause them to topple.**

Adjust all doors to operate freely if required.

If built-in locks are installed, make certain locks operate properly before closing doors.

### Assembly of Box Style Bridge Locker End Units

Lay down the back panel with the flanges facing up and the two closer leg mounting holes at the bottom. Loosely attach the leg to the inside of the back panel flange, with the wider leg flange against the back of the back panel, using two bolts and nuts. Loosely attach the second leg to the opposite side of the back panel in the same manner.

Attach one side panel to the outside of the flange of the back panel. The back panel flange should be between the side panel and the leg installed in the paragraph above. Align the holes and secure with bolts and nuts.

Bolt the top and the bottom to the side panel. Make certain that their fronts are in the correct position. Secure the second side panel to the unit. Bolt the shelves to the sides.

Place the doorframe over the assembled locker and fasten. Make certain that the sides are inside the doorframe.

Carefully raise the locker to an upright position. Square and level the cabinet, then tighten all nuts and bolts.

### SALSBUURY INDUSTRIES

18300 Central Avenue, Carson, CA 90746-4008

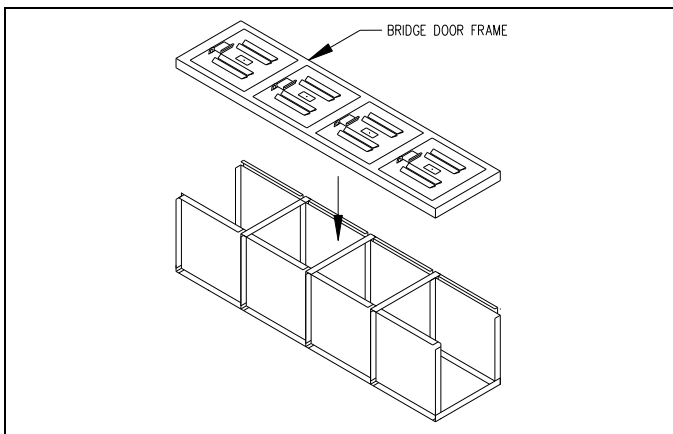
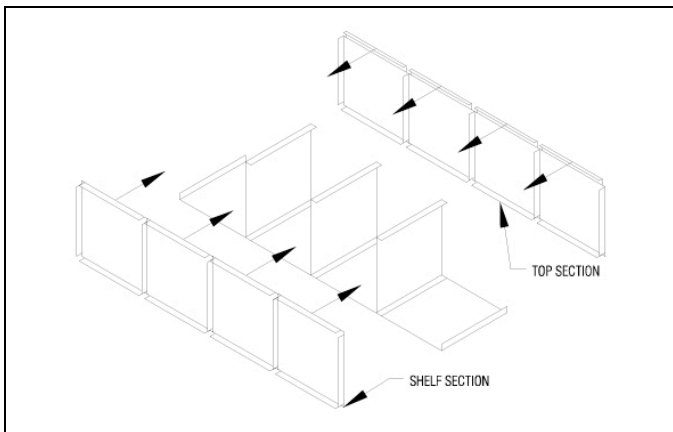
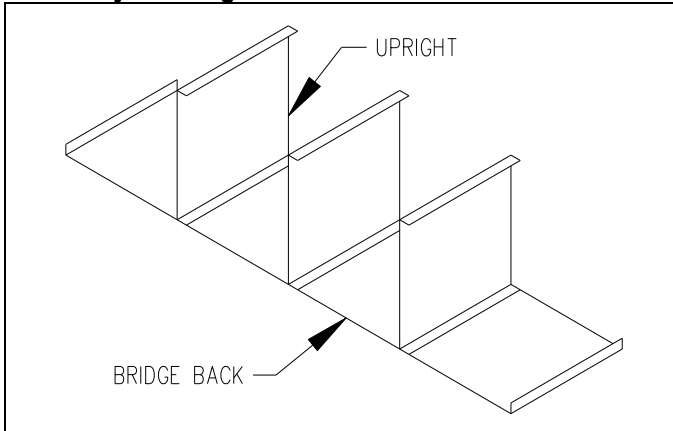
Phone: 1-800-562-5377

Int'l Phone: 323-846-6700

Fax: 1-800-562-5399

Int'l Fax: 323-846-6800

## Assembly of Bridge Unit

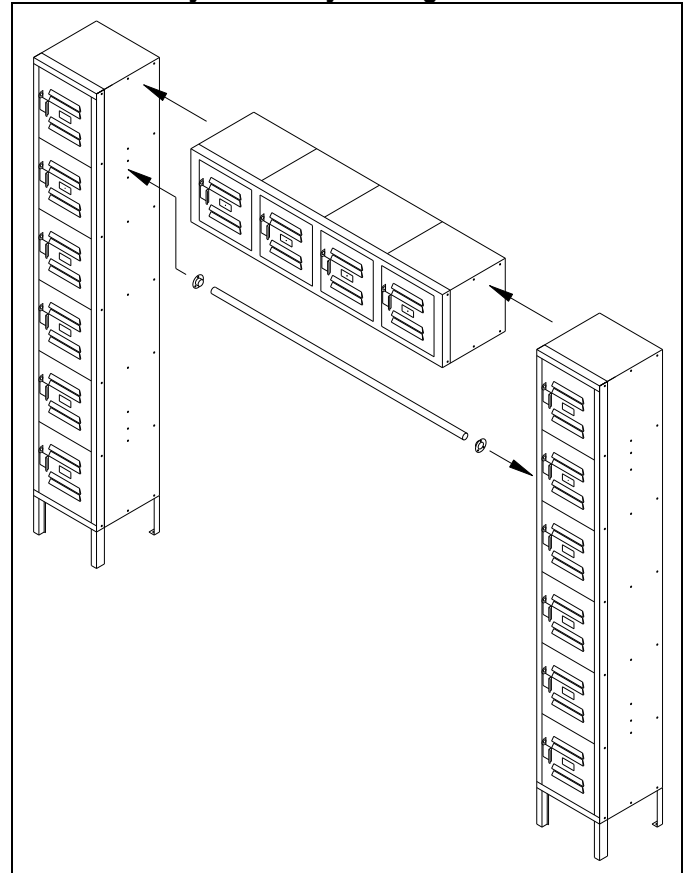


## Assembly of Bridge Unit

Lay down the bridge back panel with the flanges facing up. See illustrations above. Install the three uprights. Install the top section at the top and the shelf section at the bottom. Install the bridge doorframe, ensuring that its frame fits outside the edges of the tops and shelves.

Raise the bridge to an upright position. Square and level the unit, then tighten all nuts and bolts.

## Final Assembly of Box Style Bridge Locker



## Final Assembly of Box Style Bridge Locker

Lay the two end units on their backs. See illustration above. Position the bridge unit between the tops of the two end units. Use the screws holding the tops and first shelves to fasten the bridge unit to the two end units.

Place the rod holder brackets over the ends of the rod as shown in the illustration. Fasten the brackets to the side walls of the end units using the holes provided.

Finally, stand the assembled box style bridge locker upright.

## SALSBURY INDUSTRIES

18300 Central Avenue, Carson, CA 90746-4008

Phone: 1-800-562-5377

Int'l Phone: 323-846-6700

Fax: 1-800-562-5399

Int'l Fax: 323-846-6800