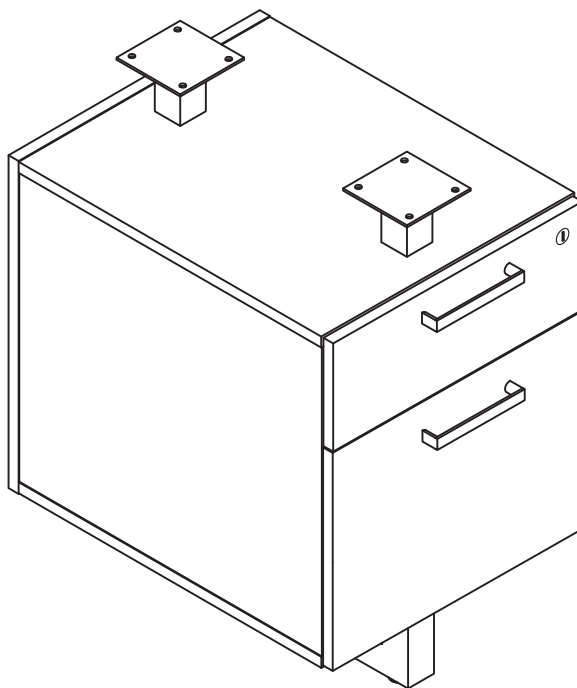


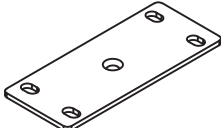

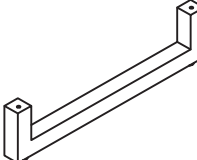
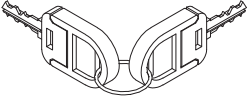
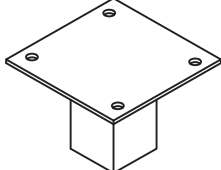
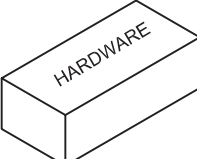
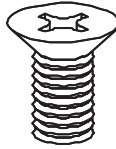


Mirella Series
Credenza/Return Ped Box File
Model No. MRCRBF20



For questions or concerns, please call 1-888-971-6225 available
Monday-Friday 7:30 AM to 5:00 PM (Central Time)
(English-speaking operators)

PARTS LIST

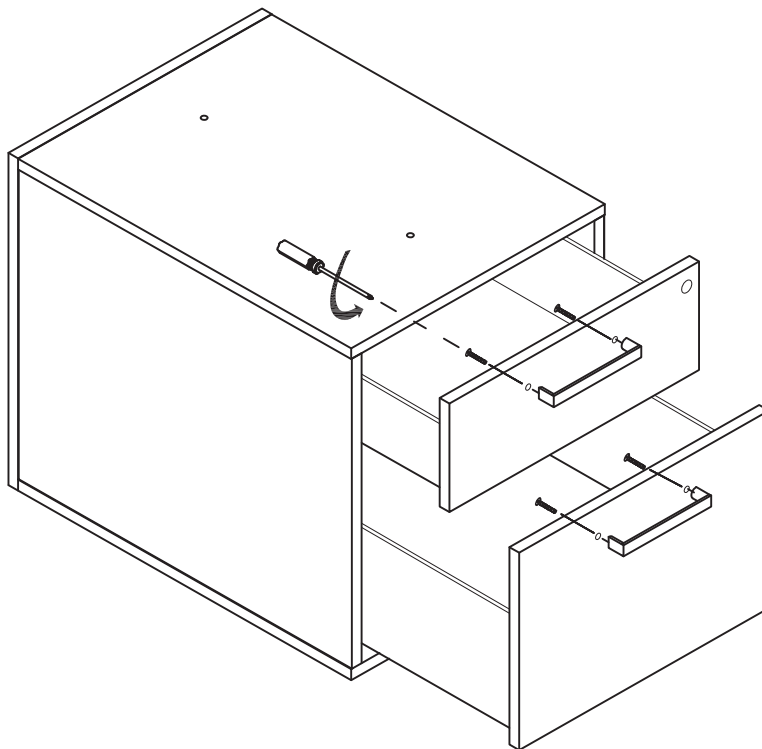
Name	Part	Qty.	Spare Qty	Name	Part	Qty.	Spare Qty
A	 120*50*3mm	2		E	 M6*15mm	8	1
B	 U Shape Base	1		F	 Keys	1	
C	 80*80*73mm	2			 MRCRBF20HB		
D	 M6*15mm	2	1				

Items with HB are in hardware box.

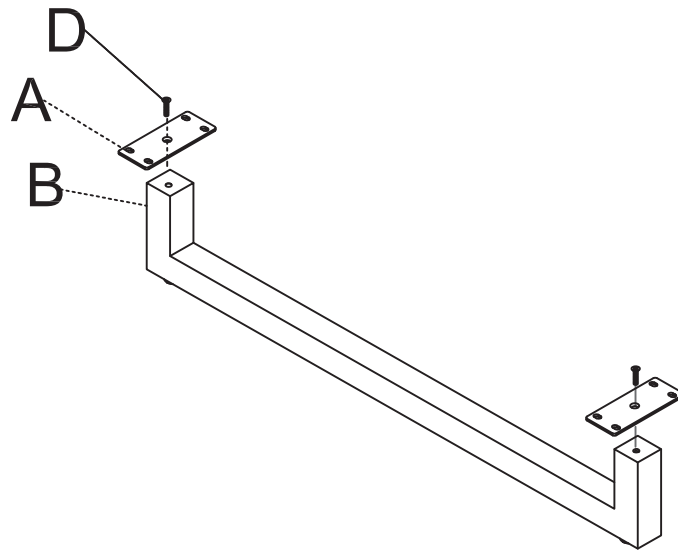
IMPORTANT!

Review ALL instructions before beginning assembly. These instructions are provided to avoid problems that may occur from improper assembly or installation. SAFCO and/or its distributor are not responsible for failure resulting from improper assembly or installation of this product. Moreover, all warranties are void for failure to follow these assembly instructions.

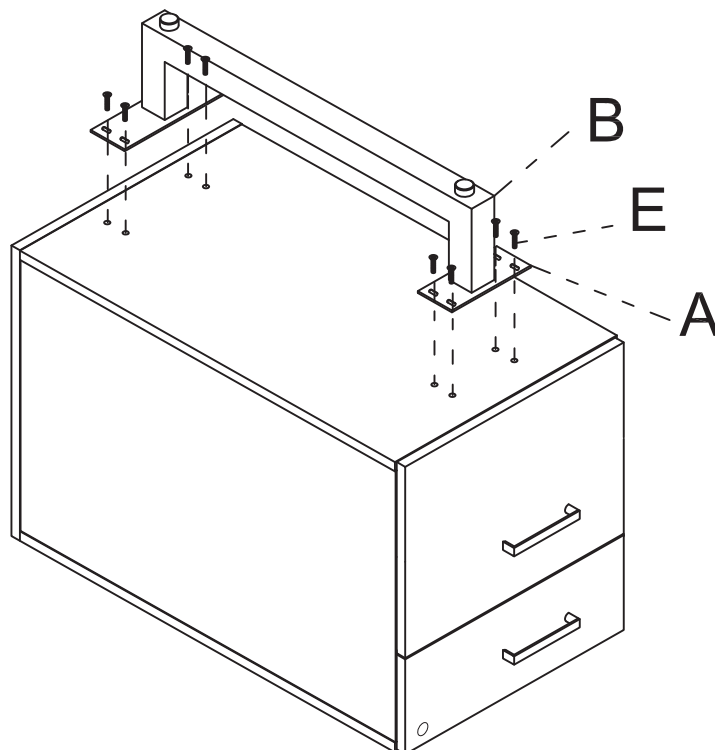
- 1 Install the handle from the inside of the drawer to the outside



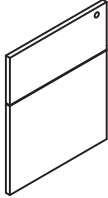
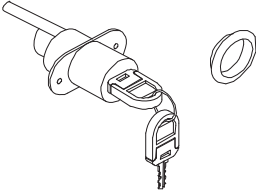
- ② Lock the Bracket (A) and U Shape Base (B) by using Screw (D);




- ③ Use Screw (E) to connect the U Shape Base (B) and the Bracket (A) to the bottom of the Pedestal.



Pre-Installed Replacement Parts List

Part	Included Qty.
 Drawer Fronts, Set of 2	1
 Lock w/ Key	1

Part	Included Qty.
 16" Drawer Slides	2

