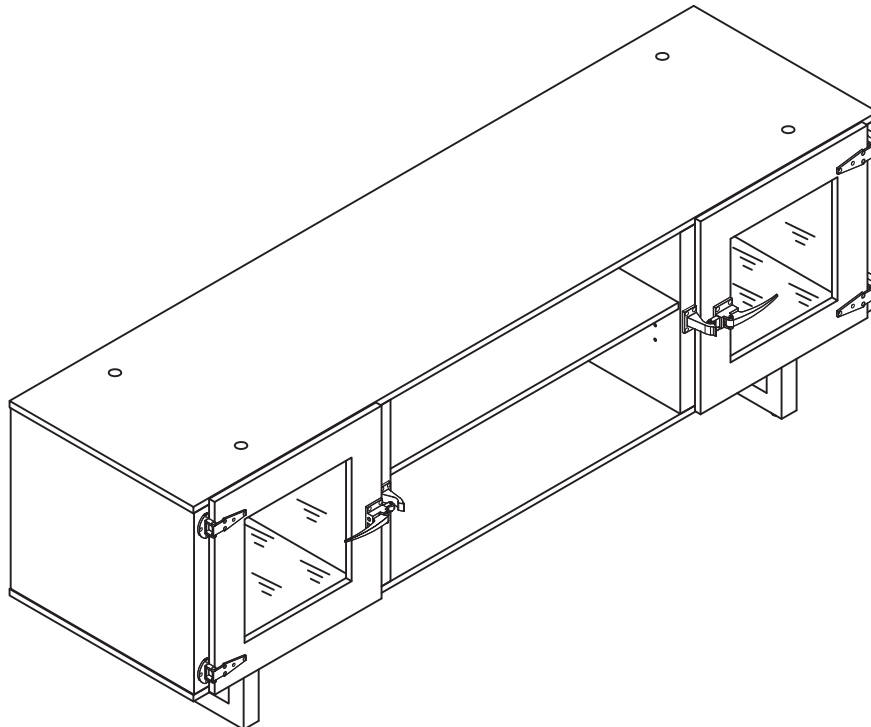



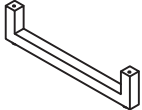


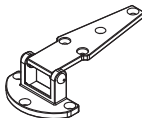
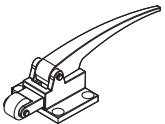
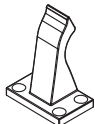







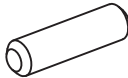



Mirella Series
72" Low Wall Cabinet Case
w/Hinged Glass Doors
Model No. MRLCCGD



For questions or concerns, please call 1-888-971-6225 available
Monday-Friday 7:30 AM to 5:00 PM (Central Time)
(English-speaking operators)


PARTS LIST

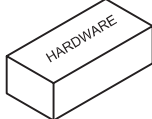
Name	Part	Qty.	Spare Qty
A	 HB 120*50*3mm	4	
B	 U Shape Base	2	
C	 80*80*73mm	4	
D	 80*80*173mm	1	
E	 HB Hinge	4	
F	 HB Handle	2	
G	 HB Handle base	2	
H	 HB M6*15mm	4	1

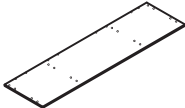
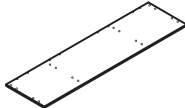
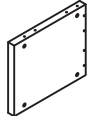
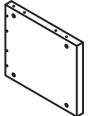
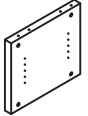
Name	Part	Qty.	Spare Qty
I	 HB M6*15mm	20	1
J	 HB M4*14mm	60	3
K	 HB M3.5*30mm	6	1
L	 HB Cam Post	28	1
M	 HB Wood Dowel	20	1
N	 HB Cam Lock	28	1
O	 HB Shelf Support	4	1
P	 HB 100*100*38*4mm	4	

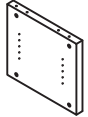
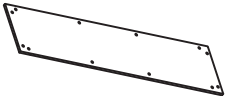
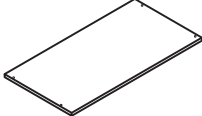

Items with HB are in hardware box.

PARTS LIST

Name	Part	Qty.	Spare Qty
Q	 Cam Sticker	28	2

Name	Part	Qty.	Spare Qty
	 MRLCCGDHB		

Name	Part	Qty.
R	 Top Panel	1
S	 Bottom Panel	1
T	 Left Side Panel	1
U	 Right Side Panel	1
V	 Left inside Panel	1

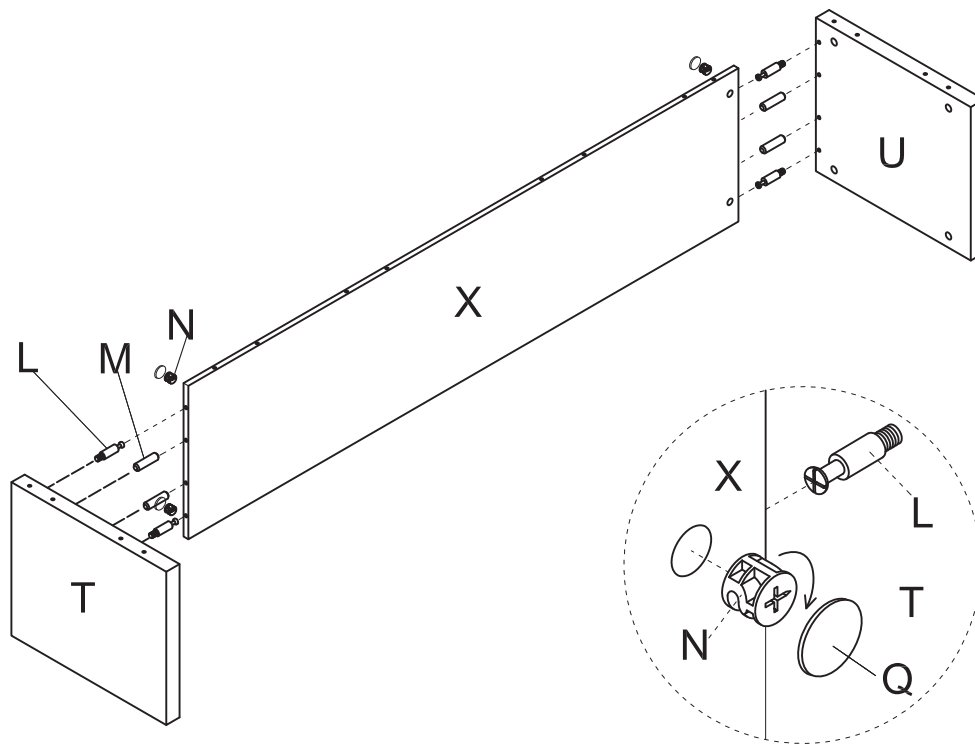
Name	Part	Qty.
W	 Right inside Panel	1
X	 Back Panel	1
Y	 Adjustable Shelf	1
Z	 Glass Door	2

IMPORTANT!

Review ALL instructions before beginning assembly. These instructions are provided to avoid problems that may occur from improper assembly or installation. SAFCO and/or its distributor are not responsible for failure resulting from improper assembly or installation of this product. Moreover, all warranties are void for failure to follow these assembly instructions.

- 1 Insert Wood Dowel (M) & Cam Post (L) to all panels. Install Cam Lock (N) to Panel (T&U&V&W&S). Fasten Side Panel (T&U) to Back Panel (X), Attach the Cam Sticker (Q) to Cams;

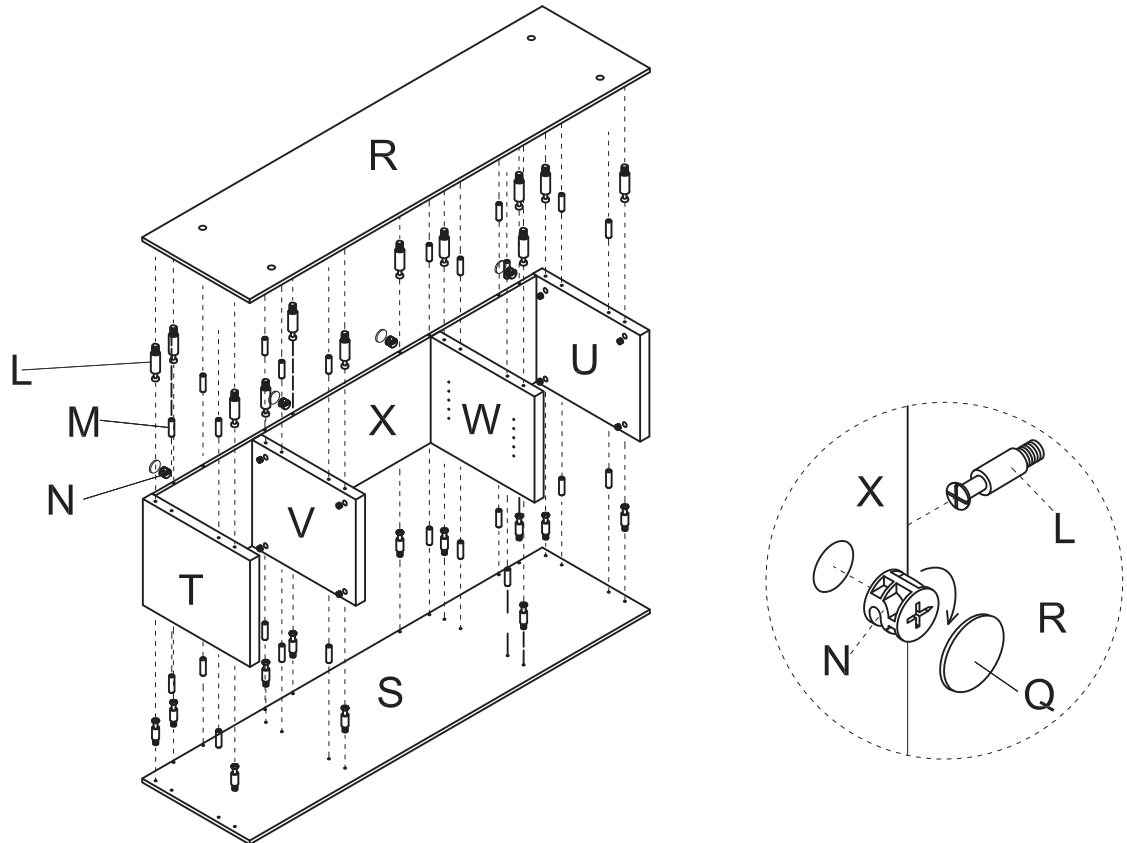
Note: Wood dowels must be inserted into the vertical panels, not the horizontal panels. Be sure dowels are in all the way.



2

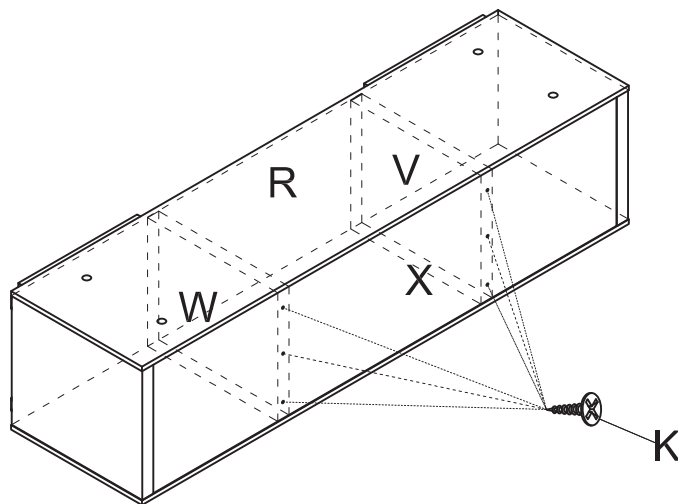
Use Wood Dowel (M), Cam Post (L) & Cam Lock (N) to fasten Top panel (R) and Bottom Panel (S) and other panels (T&U&V&W&X) together, Attach the Cam Sticker (Q) to Cams;

Note: Wood dowels must be installed into the vertical panels, not the horizontal panels. Be sure dowels are in all the way.

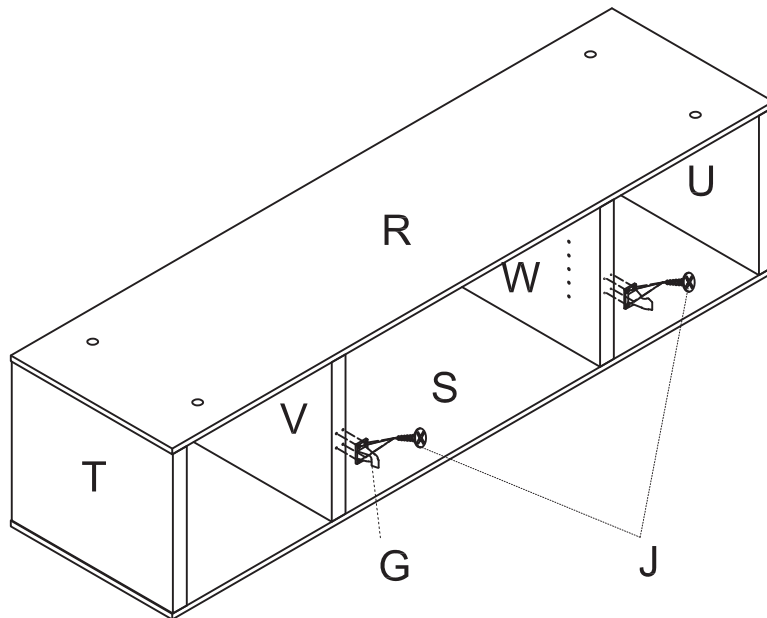


3

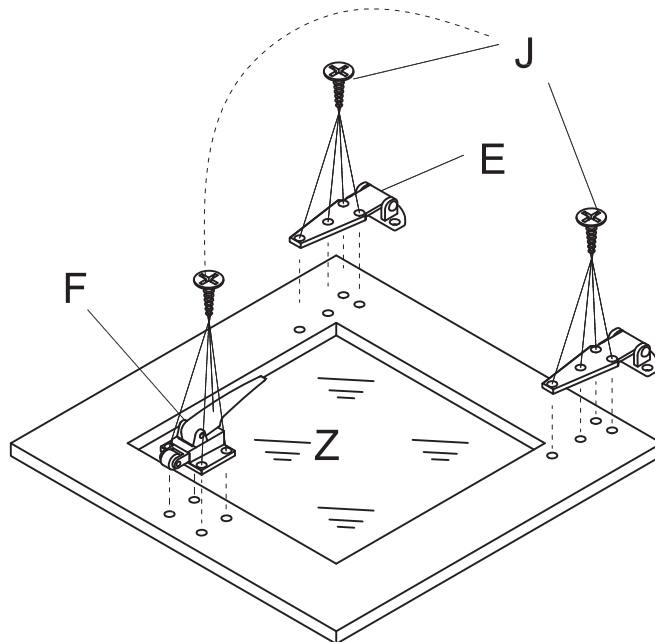
Use Screw (K) to install the Back panel (X) and the inside panel (V&W);



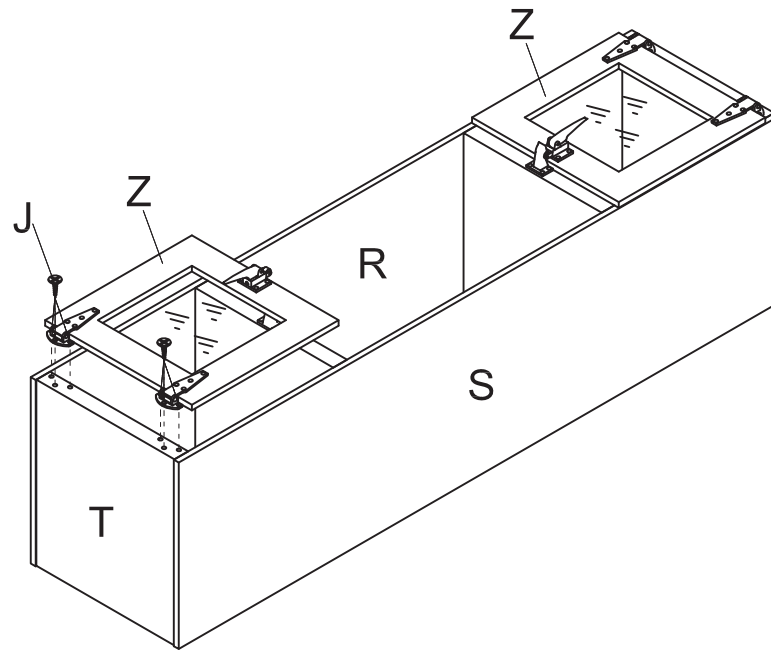
- ④ Use Screw (J) to attach the Part (G) to the inside panel (V&W);



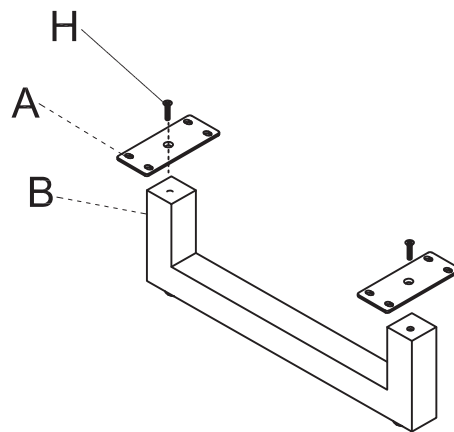
- ⑤ Use Screw (J) to attach the Part (E&F) to the Door (Z);



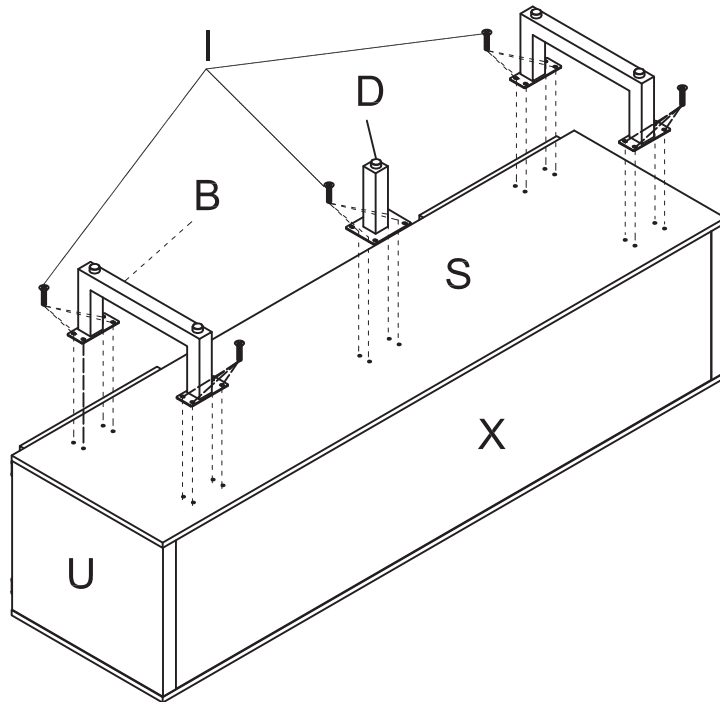
- 6** Use screw (J) to install the Glass Door (Z) to the left / right side panel (T&U) ;



- 7** Lock the Metal Plate (A) and U Shape Base (B) by using Screw (H);



- 8 Use Screw (I) to install the U Shape Base (B) and the Support Part (D) to Bottom Panel (S);



- 9 Insert Shelf Support (O) to the Inside Panel (V&W), Put Adjustable shelf (Y) on the Shelf Support (O).

