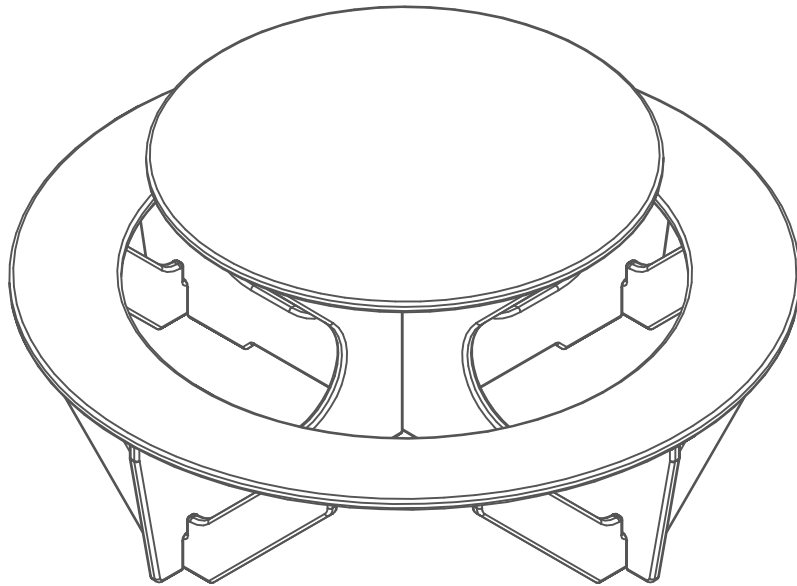


Round Activity Picnic Table

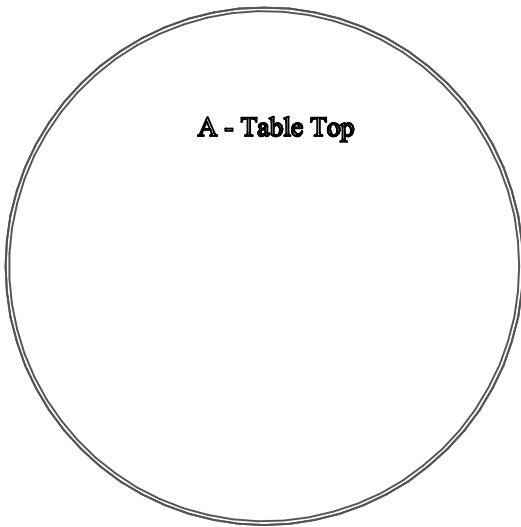
For Fastener Pack
(FP-RAT-CU-02)



Congratulations !!

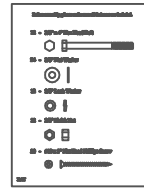
You have just purchased the finest plastic picnic table
available. Enjoy !!!

Before assembly, please make sure all components are included.



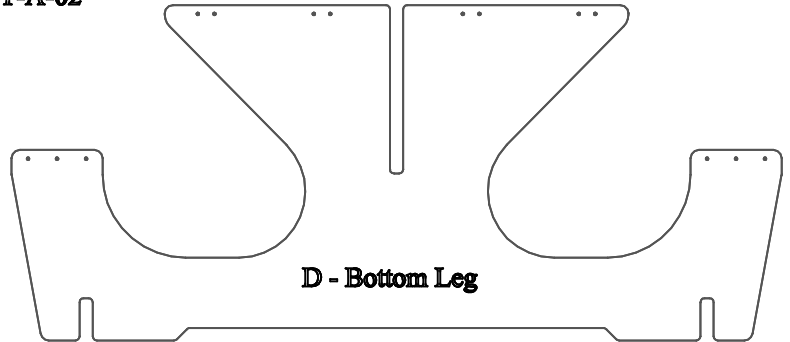
A - Table Top

**(1) - One Table Top
PPP-RAT-A-02**



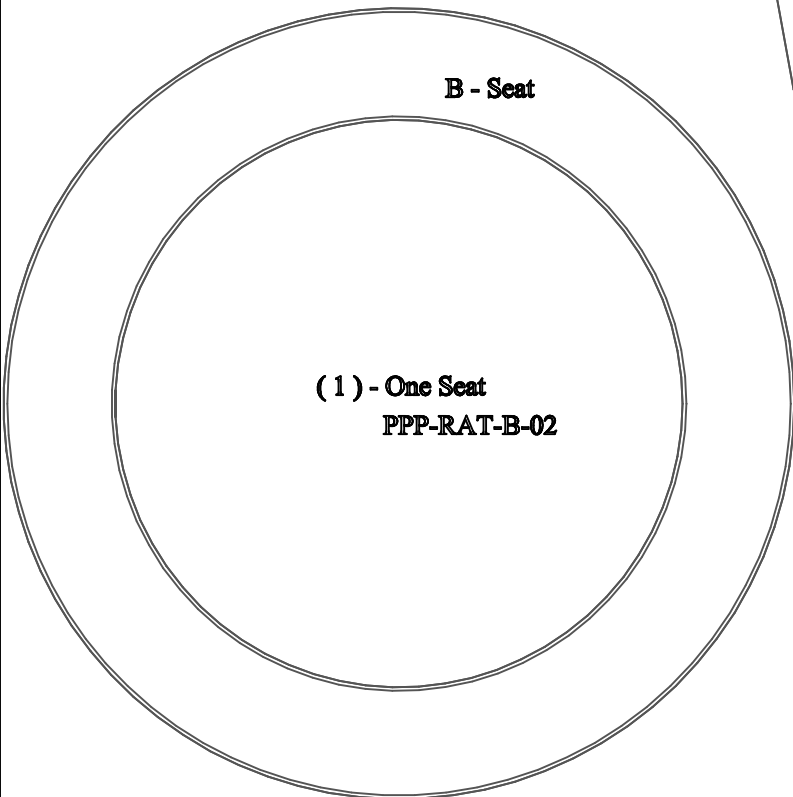
FP - Fastener Pack

**(1) - One Fastener Pack
FP-RAT-CU-02**



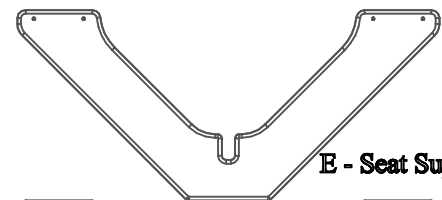
D - Bottom Leg

**(1) - One Bottom Leg
PPP-RAT-D-02**

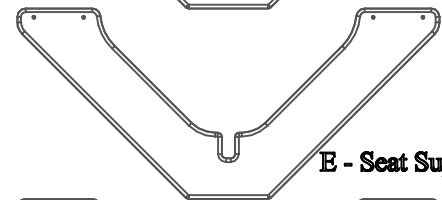


B - Seat

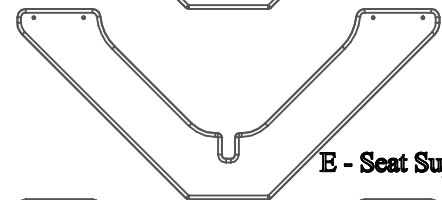
**(1) - One Seat
PPP-RAT-B-02**



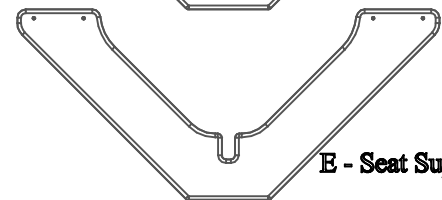
E - Seat Support



E - Seat Support

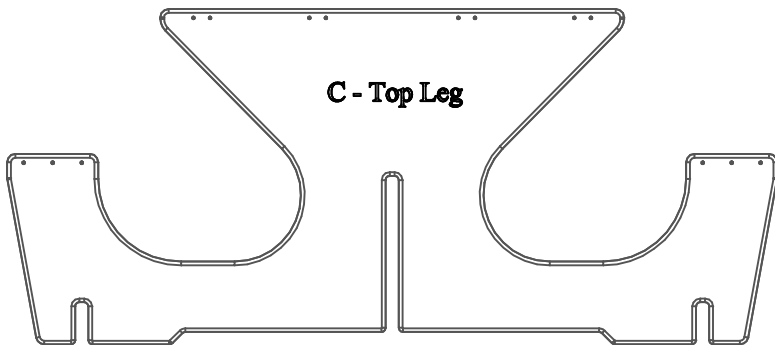


E - Seat Support



E - Seat Support

**(4) - Four Seat Supports
PPP-RAT-E-02**



C - Top Leg

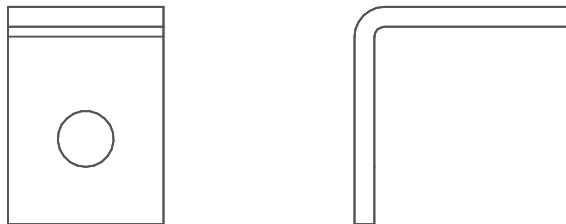
**(1) - One Top Leg
PPP-RAT-C-02**

Before assembly, please make sure all fasteners are included.

88 - #12 x 1/2" Pan Head Phillips Screw



44 - 7/8" Stainless Steel Angle Bracket



Also needed for this assembly will be the following materials:

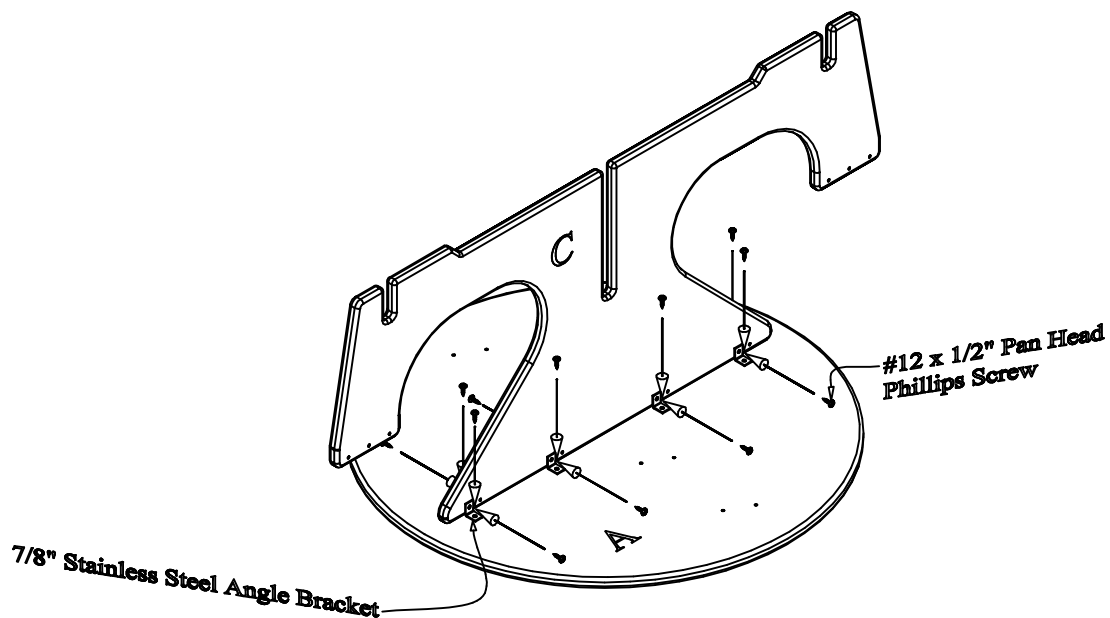
1 - #3 Phillips Drive Bit

***IMPORTANT NOTICE*:**

- * DO NOT OVER-TIGHTEN SCREWS.
- * USE A DRILL WITH ADJUSTABLE TORQUE FOR BEST RESULTS.
- * OVER-TIGHTENING WILL RESULT IN STRIPPING OUT THE PILOT HOLE.

Note:

Use the cardboard that your table was shipped in to build your table on to prevent damage.

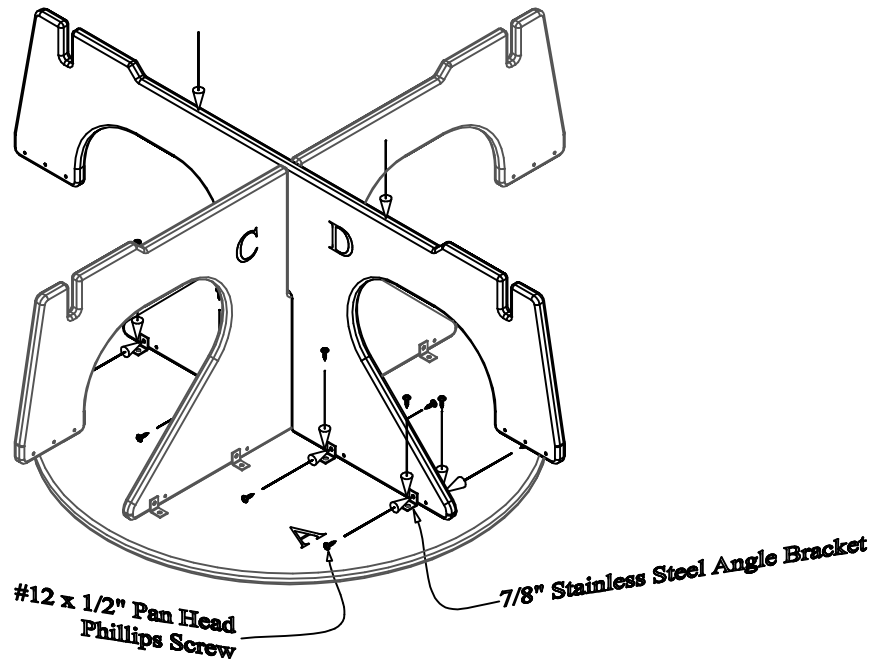


Step #1:

Place the Table Top upside down with the pilot holes facing up. Place the Top Leg onto the Table Top as shown. Secure the Top Leg with (8) Stainless Steel Angle Brackets. Use (1) One #12 x 1/2" Pan Head Phillips Screw per hole to secure.

***BE SURE TO START BOTH SCREWS BEFORE SECURING FULLY.**

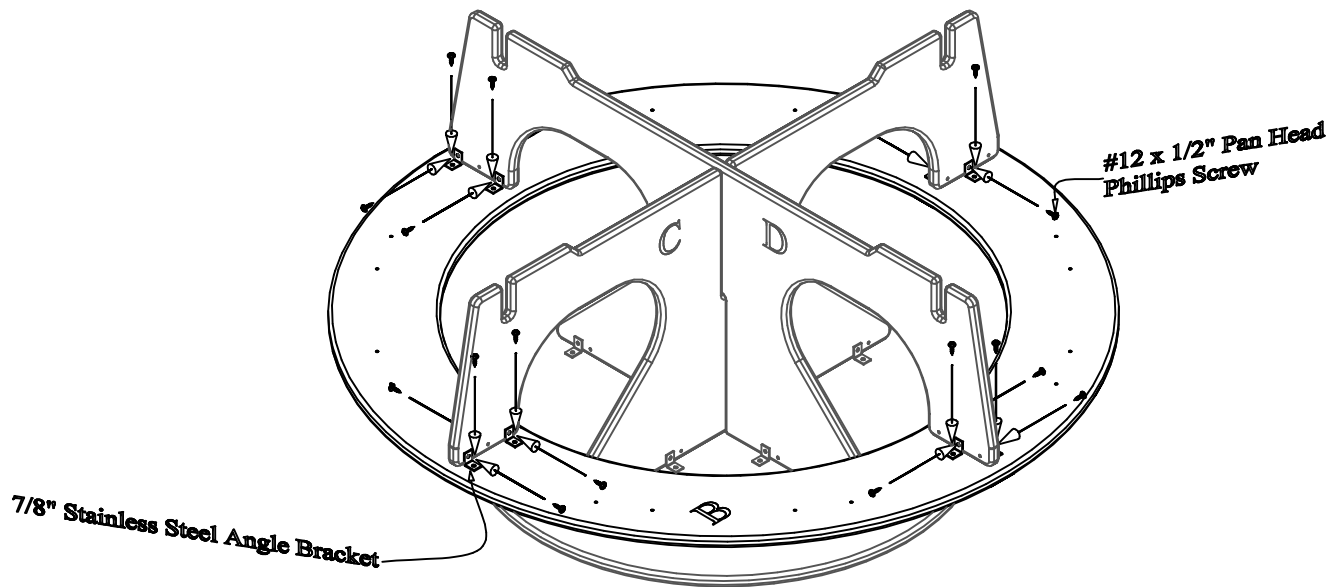
DO NOT OVER-TIGHTEN SCREWS



Step #2:

While the table is upside down, slide the Bottom Leg into the groove cut out of the Top Leg. Secure the Bottom Leg with (8) Stainless Steel Angle Brackets. Use (1) One #12 x 1/2" Pan Head Phillips Screw per hole to secure.

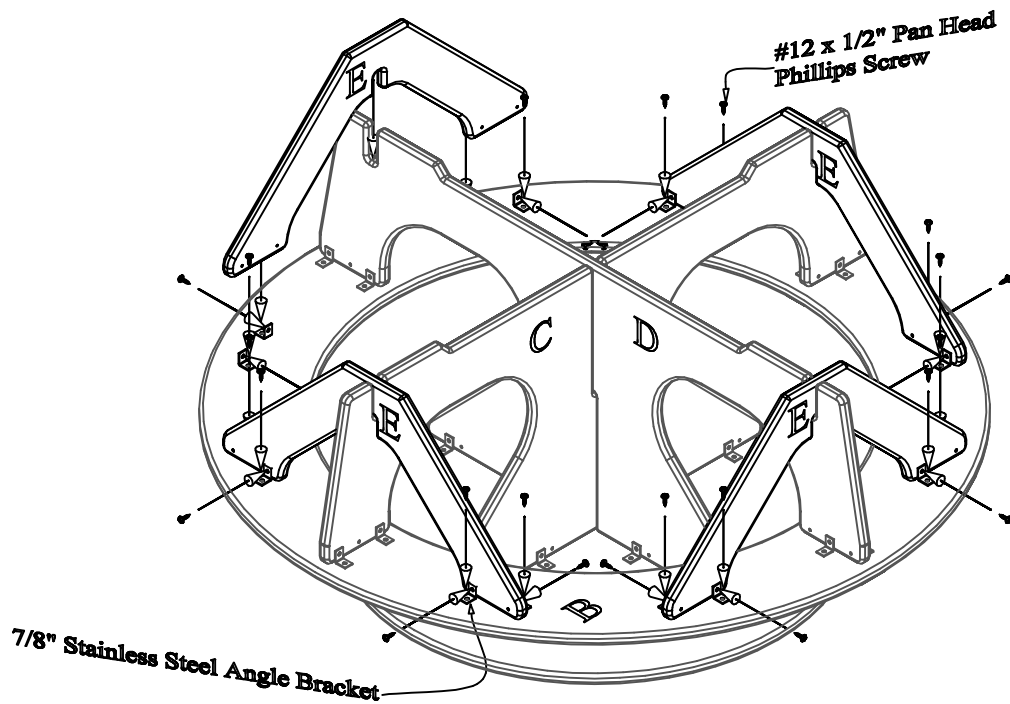
***BE SURE TO START BOTH SCREWS BEFORE SECURING FULLY.**



Step #3:

While the table is upside down, secure the Seat to the Legs as shown above, using (12) Twelve Stainless Steel Angle Brackets. Use (1) One #12 x 1/2" Pan Head Phillips Screw per hole to secure.

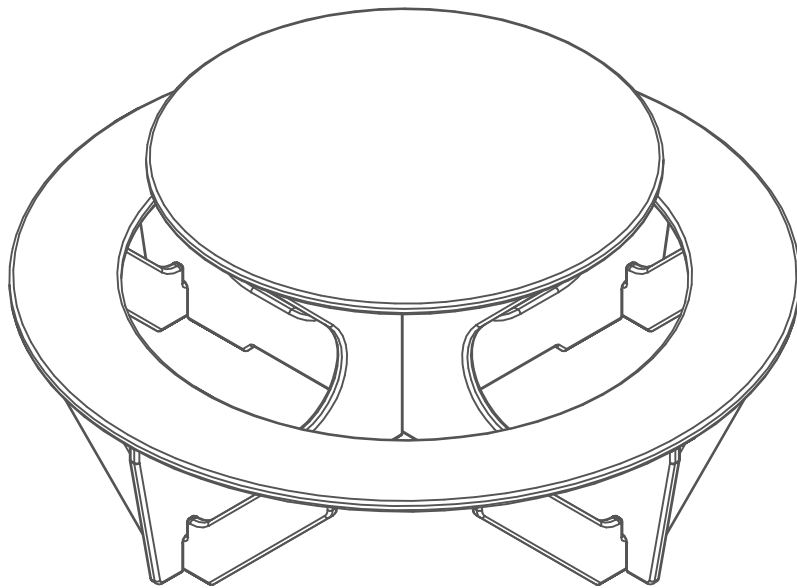
***BE SURE TO START BOTH SCREWS BEFORE SECURING FULLY.**



Step #4:

While the table is upside down, slide the Seat Supports into the grooves in the Legs and fasten to the Seat with (16) Sixteen Stainless Steel Angle Brackets as shown above. Use (1) One #12 x 1/2" Pan Head Phillips Screw per hole to secure.

***BE SURE TO START BOTH SCREWS BEFORE SECURING FULLY.**



Step #5:

Turn the table upright onto its frame using at least two people. Please take caution while flipping the table. At this point in assembly the table weighs approximately 75 Pounds.

DEAR VALUED CUSTOMER,

THANK YOU FOR PURCHASING THIS PRODUCT. THIS PRODUCT IS MANUFACTURED USING RECYCLED MATERIALS AND MAY HAVE SLIGHT COLOR VARIATIONS, OCCASIONAL SPECKS OF COLOR OR IRREGULAR SURFACE PATTERNS. THESE ARE NORMAL CONDITIONS OF RECYCLED PLASTICS AND MAKE EACH PIECE OF FURNITURE UNIQUE. THESE CHARACTERISTICS DO NOT AFFECT THE STRENGTH, QUALITY OR PERFORMANCE OF THE PRODUCT.

THANK YOU AGAIN FOR PURCHASING THIS PRODUCT AND HELPING OUR ENVIRONMENT.