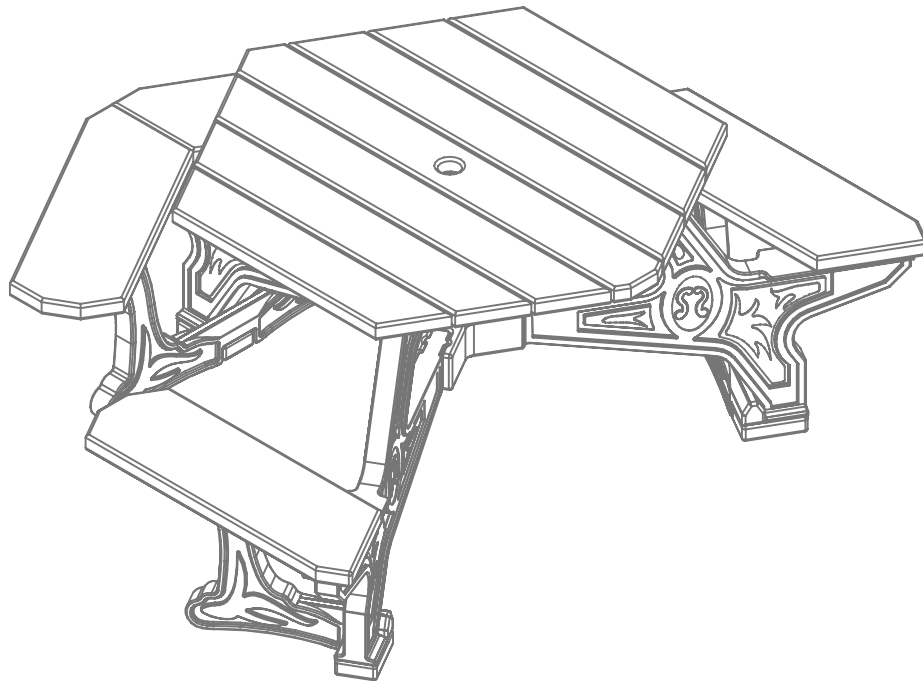


Plaza Handicap Picnic Table

For Fastener Pack
(FP-PZTHA-CU-01)

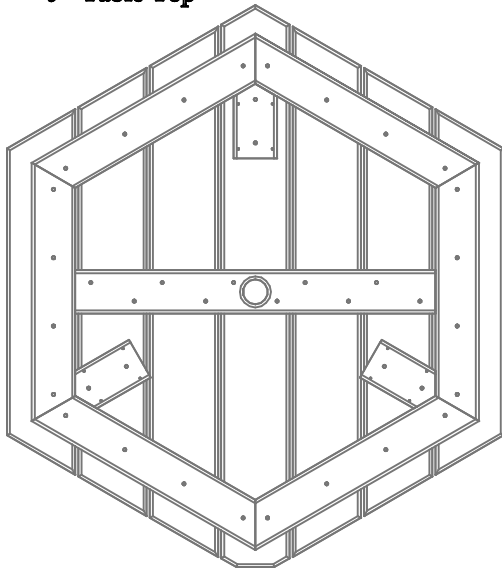


Congratulations !!

You have just purchased the finest recycled plastic
picnic table available. Enjoy !!!

Before assembly, please make sure all components are included.

J - Table Top



(1) - One Table Top
GSSA-PZTHA-A-01

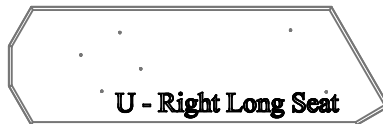


(1) - One Fastener Pack
FP-PZTHA-CU-01

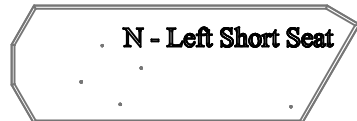
FP - Fastener Pack



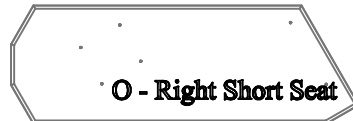
(1) - One Left Long Seat
GSP-PZHA-A-01



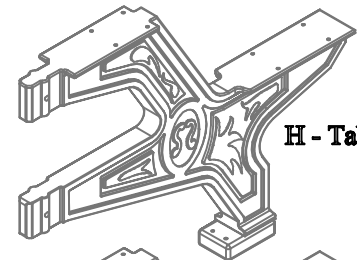
(1) - One Right Long Seat
GSP-PZHA-B-01



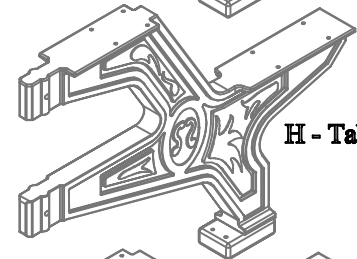
(1) - One Left Short Seat
GSP-PZ-A-01



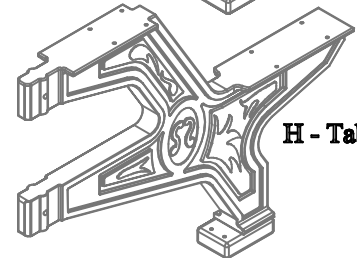
(1) - One Right Short Seat
GSP-PZ-B-01



H - Table Leg

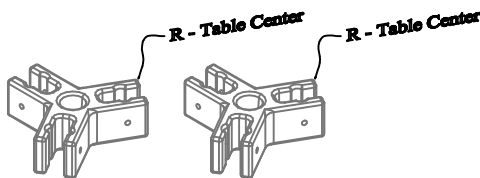


H - Table Leg

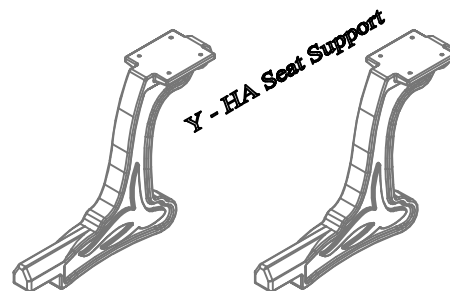


H - Table Leg

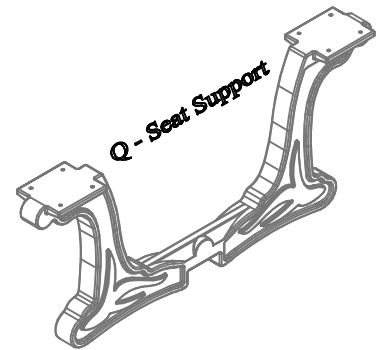
(3) - Three Table Legs
GSSA-PZ-B-01



(2) - Two Table Centers
PS-GSCP-A-01



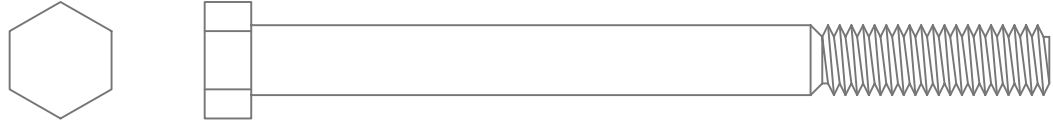
(2) - Two HA Seat Supports
PS-GSSS-B-01



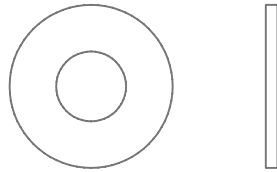
(1) - One Seat Support
PS-GSSS-A-01

Before assembly, please make sure all fasteners are included.

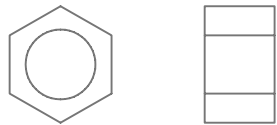
6 - 3/8" x 4 1/4" Hex Head Bolt



12 - 3/8" Flat Washer



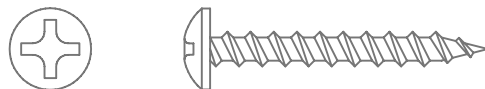
6 - 3/8" Nylon Lock Nut



6 - #12 x 3" Flat Head Phillips Screw



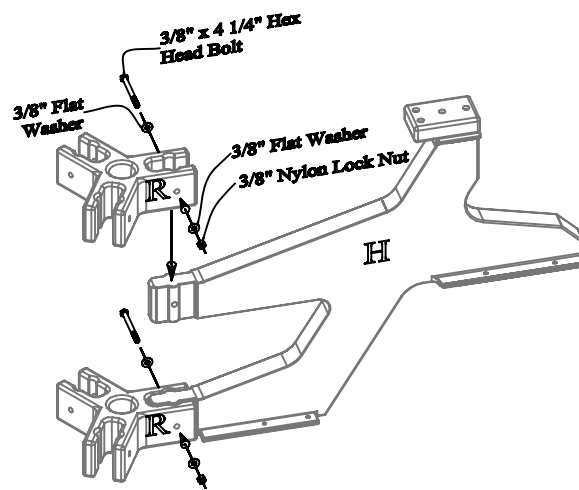
36 - #12 x 1 1/2" Pan Head Phillips Screw



Also needed for this assembly will be the following materials:

1 - #3 Phillips Drive Bit

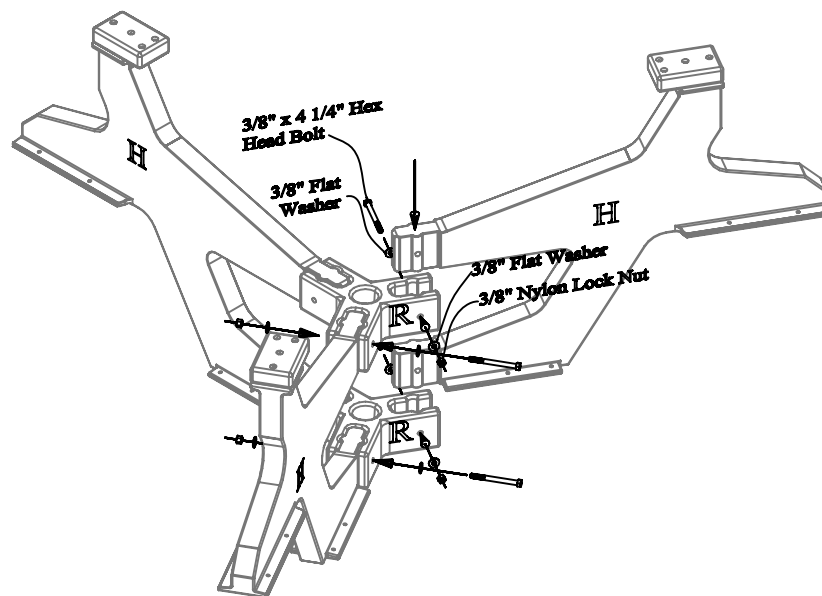
2 - 9/16" Socket Wrench



Step #1:

Slide (1) One Table Center on to each end of the Table Leg as shown above. Use (1) One 3/8" x 4 1/4" Hex Head Bolt and (1) One 3/8" Flat Washer along with (1) One 3/8" Flat Washer and (1) One 3/8" Nylon Lock Nut per hole to secure.

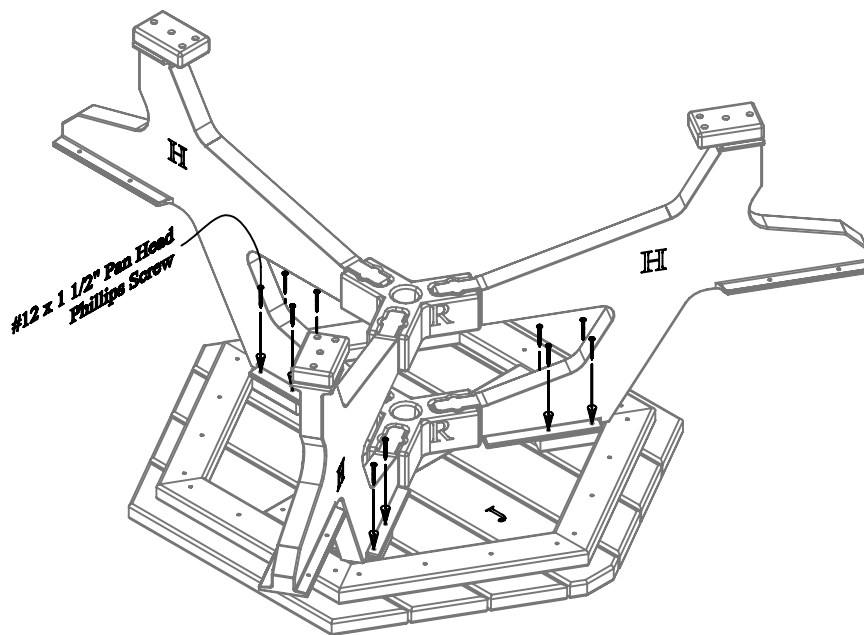
Do not tighten bolts completely. This will be done in a later step.



Step #2:

Slide the remaining Table Legs in to the Table Centers. Use (1) One 3/8" x 4 1/4" Hex Head Bolt and (1) One 3/8" Flat Washer along with (1) One 3/8" Flat Washer and (1) One 3/8" Nylon Lock Nut per hole to secure.

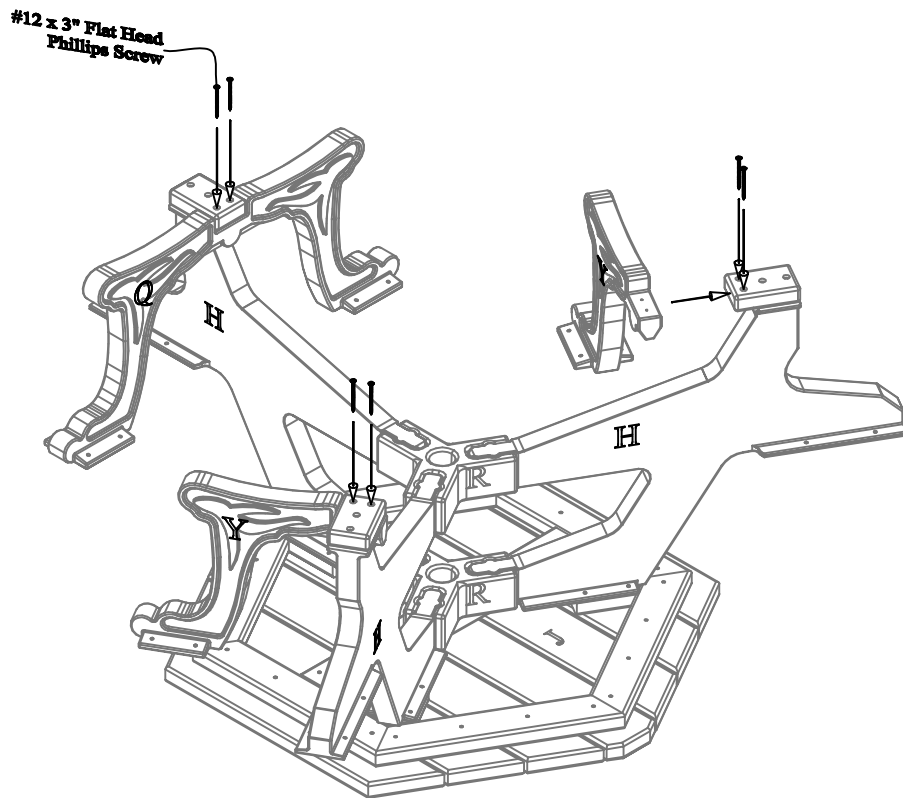
Do not tighten bolts completely. This will be done in a later step.



Step #3:

While the Table Top is upside down, place the leg assembly onto the Table Top as shown above. Align the pre-drilled holes in the Table Legs with the pilot holes in the Table Top. Use (1) One #12 x 1 1/2" Pan Head Screw per hole to secure.

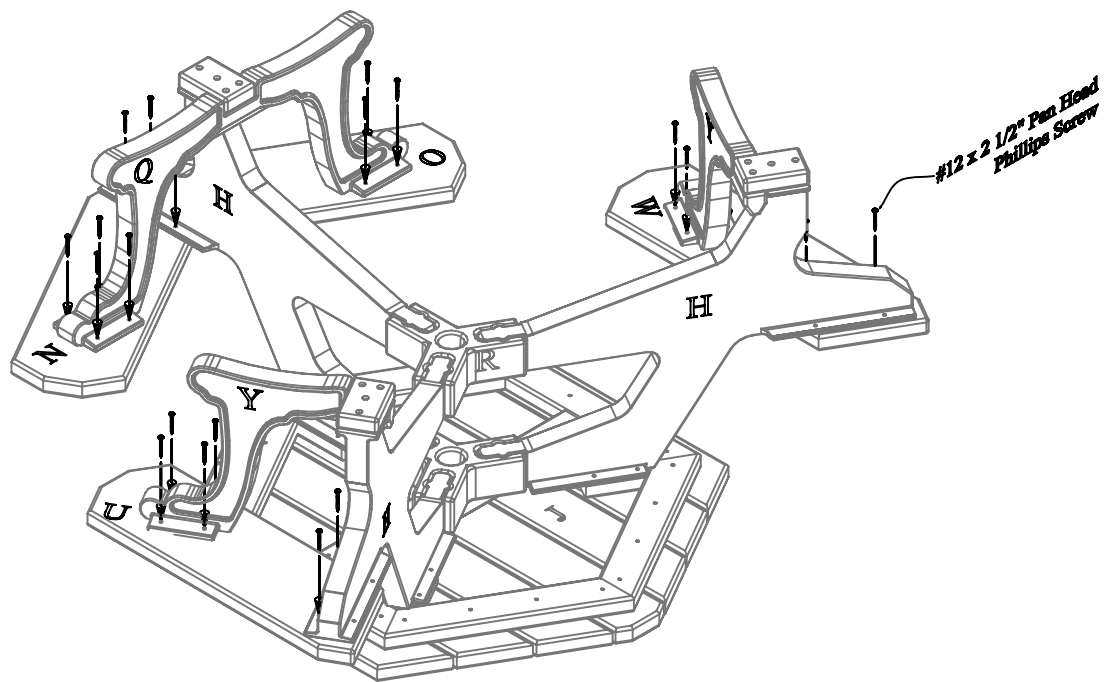
Be sure to tighten all screws after completing this step.



Step #4:

While the table is upside down, align the pre-drilled holes in the Table Leg to the pilot holes in the Seat Support as shown above. Use (1) One #12 x 3" Flat Head Screw per hole to secure.

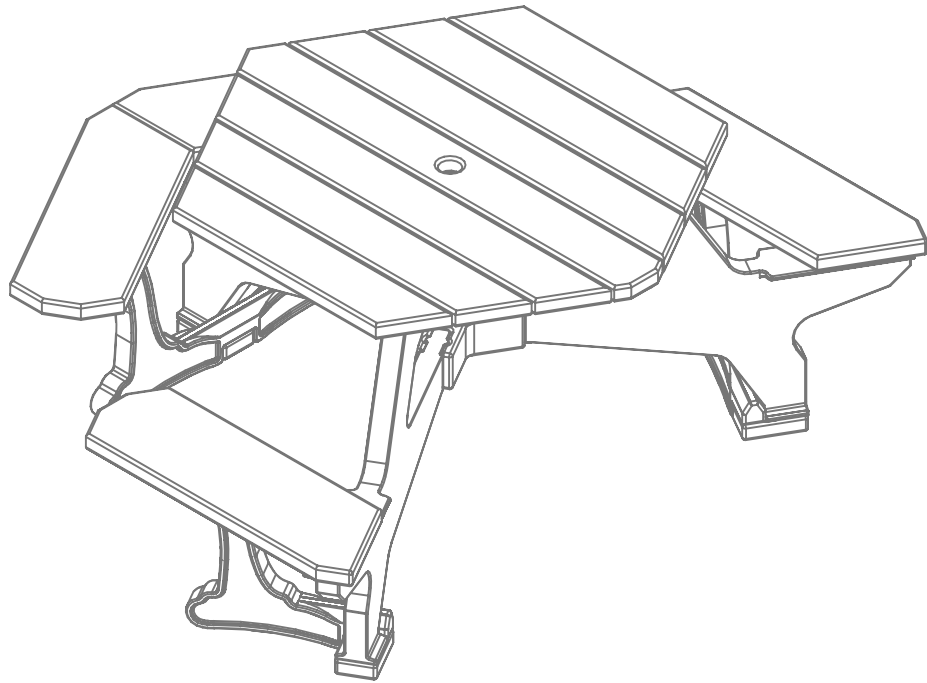
Do not tighten screws completely. This will be done in a later step.



Step #5:

While the table is upside down, align the pre-drilled holes in the Seat to the pilot holes in the Seat Support and the Table Leg as shown above. Use (1) One #12 x 1 1/2" Pan Head Screw per hole to secure.

Be sure to tighten all loose screws after completing this step.



Step #6:

With assistance turn the table over on to its legs, please use caution for the table weighs approximately 210 pounds.