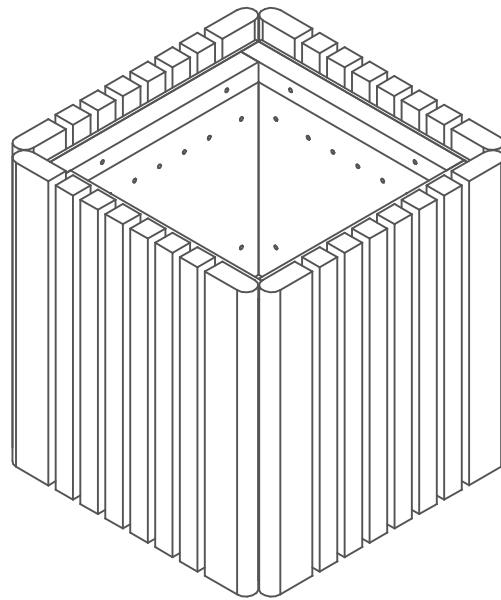


# Planter Box

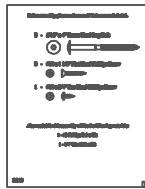
For Fastener Pack  
(FP-PB22-CU-01)



Congratulations !!

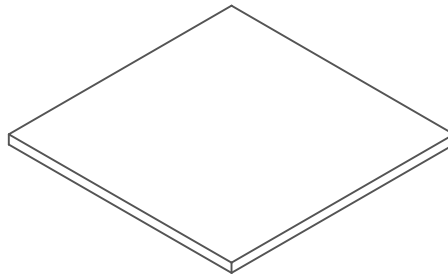
You have just purchased the finest recycled plastic  
planters available. Enjoy !!!

Before assembly, please make sure all components are included.

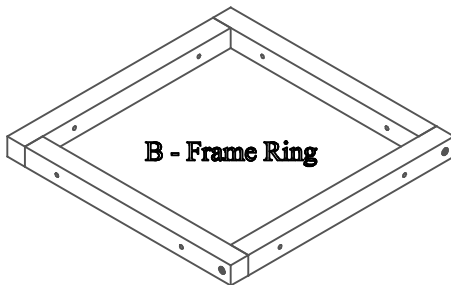


(1) - One Fastener Pack  
FP-PB22-CU-01

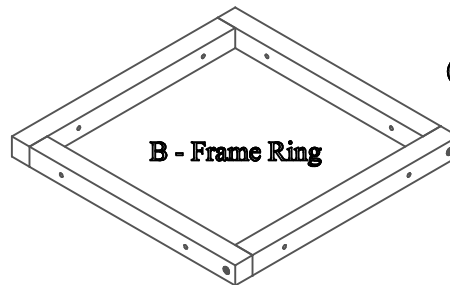
FP - Fastener Pack



(1) - One Bottom Plate  
GSP-PB22-C-01

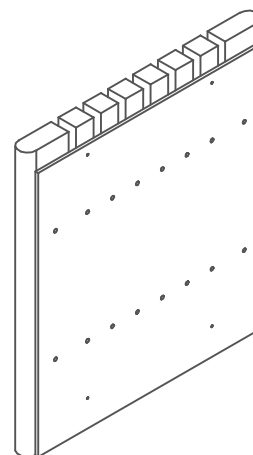
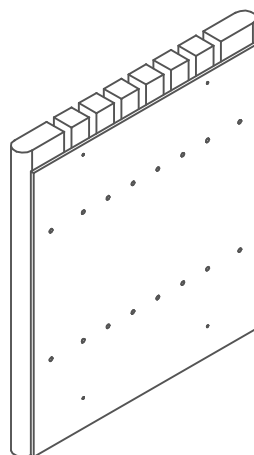
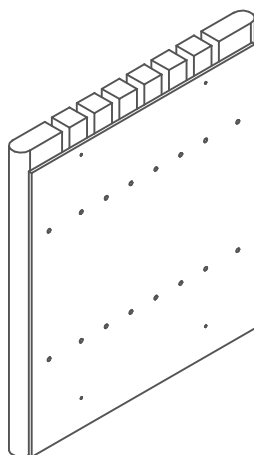
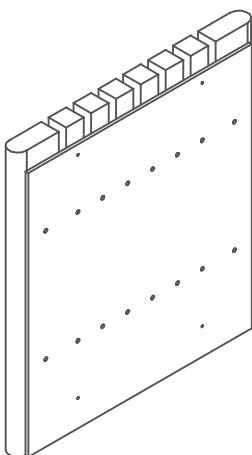


B - Frame Ring



B - Frame Ring

(2) - Two Frame Rings  
GSSA-TRPB-A-01



(4) - Four Side Panels  
GSSA-PB22-A-01

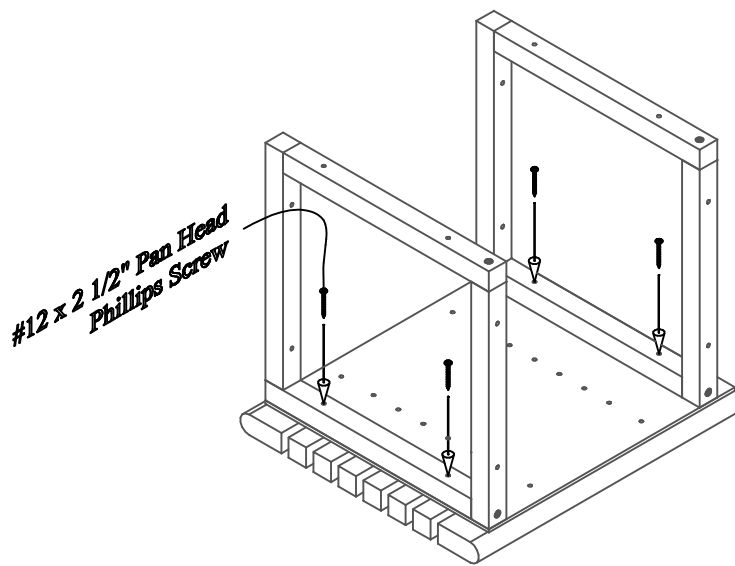
Before assembly, please make sure all fasteners are included.

16 - #12 x 2 1/2" Pan Head Phillips Screw



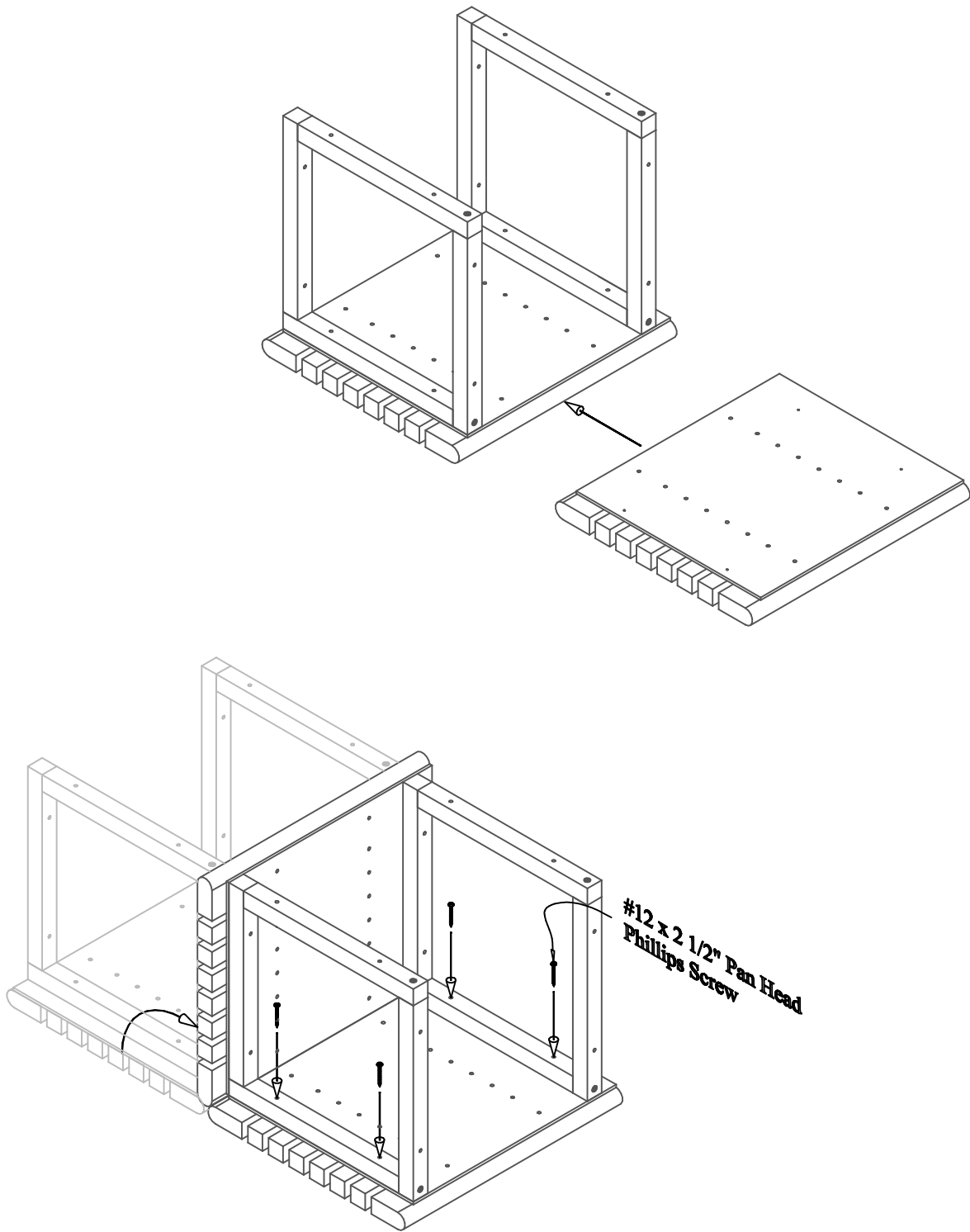
Also needed for this assembly will be the following materials:

1 - #3 Phillips Drive Bit



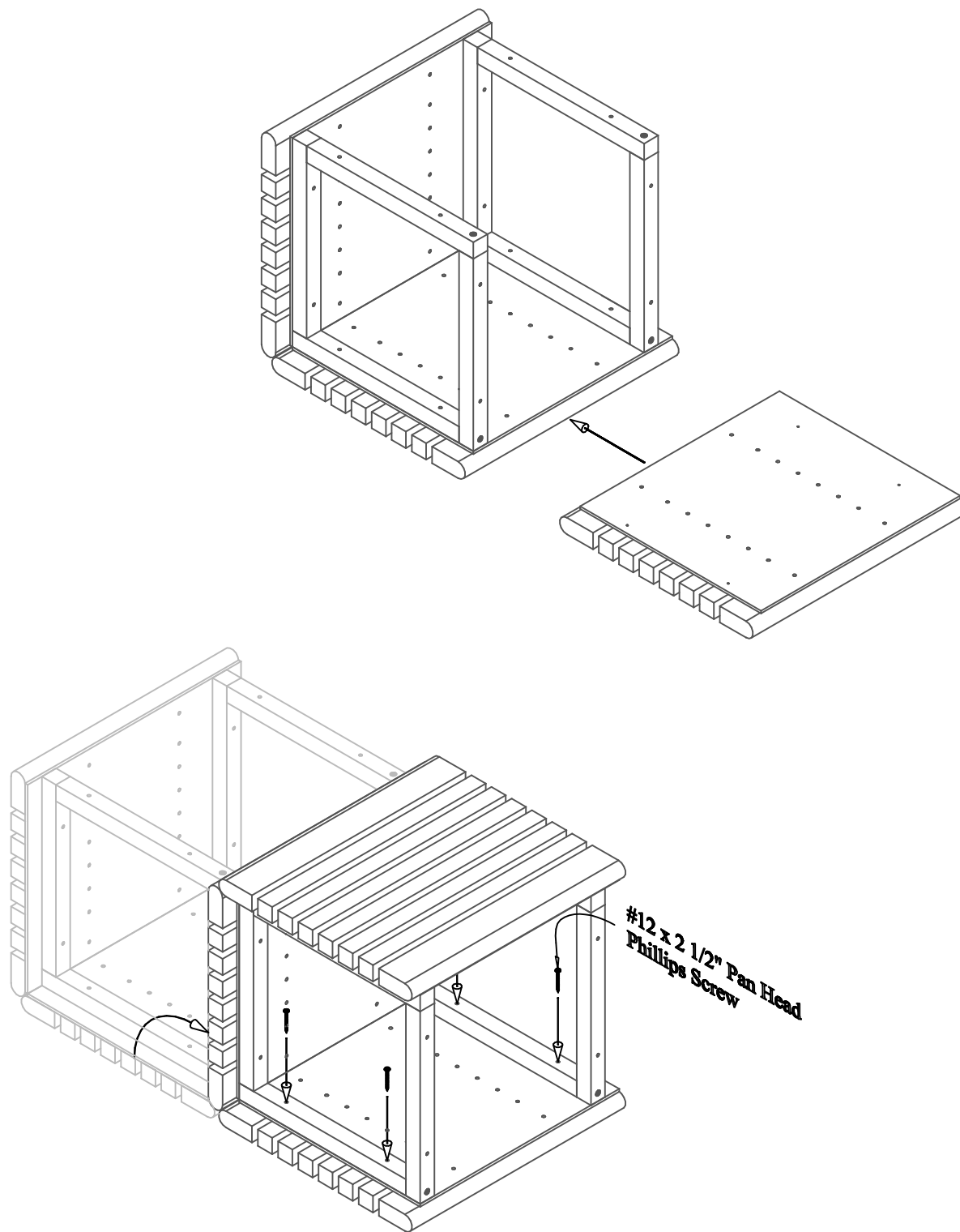
### Step #1:

As shown in the diagram above, place one Side Panel face down on a flat surface. Place the Frame Rings at the top and bottom sections of the panel being sure to line up the pre-drilled holes in the Frame Rings to the pre-drilled pilot holes in the Side Panel. Use the diagram above for placement. Fasten using (1) one 2-1/2" pan head screw per hole.

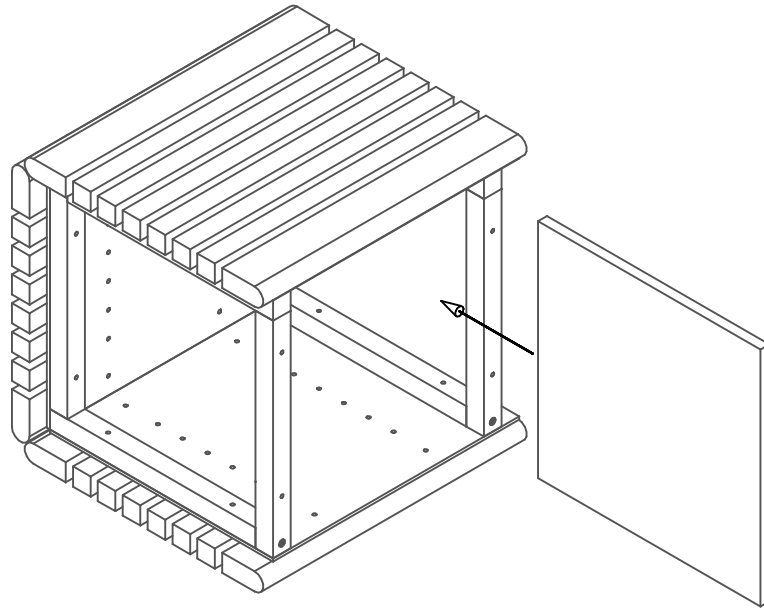


**Step #2:**

Place another Side Panel beside the previous panel so that it touches as displayed in the diagram above. Gently turn the side panel with the rings installed on to the new side panel. Making sure the holes line up with the pre-drilled pilot holes in the new panel. Fasten using (1) one 2-1/2" pan head screw per hole.

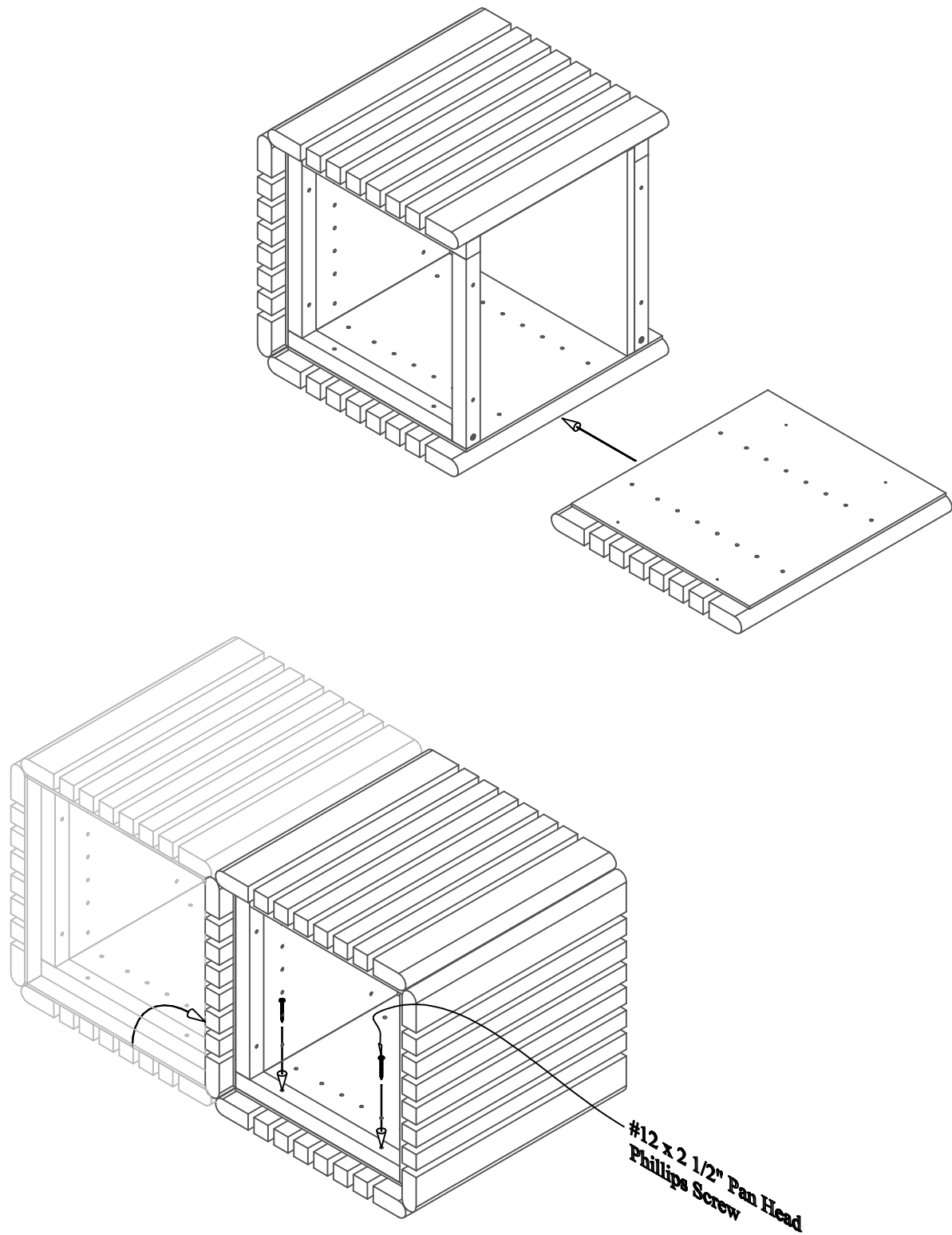


Step #3:  
Repeat step #2.



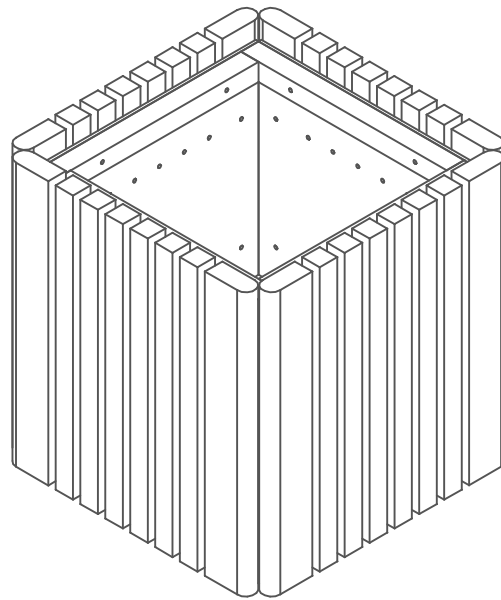
Step #4:

Place the Bottom Panel into the opening between the frame rings



Step #5:  
Repeat step #2.





**Step #6:**

Turn the planter upright onto its base. Please use caution while moving as this planter will weigh approximately 96 pounds.