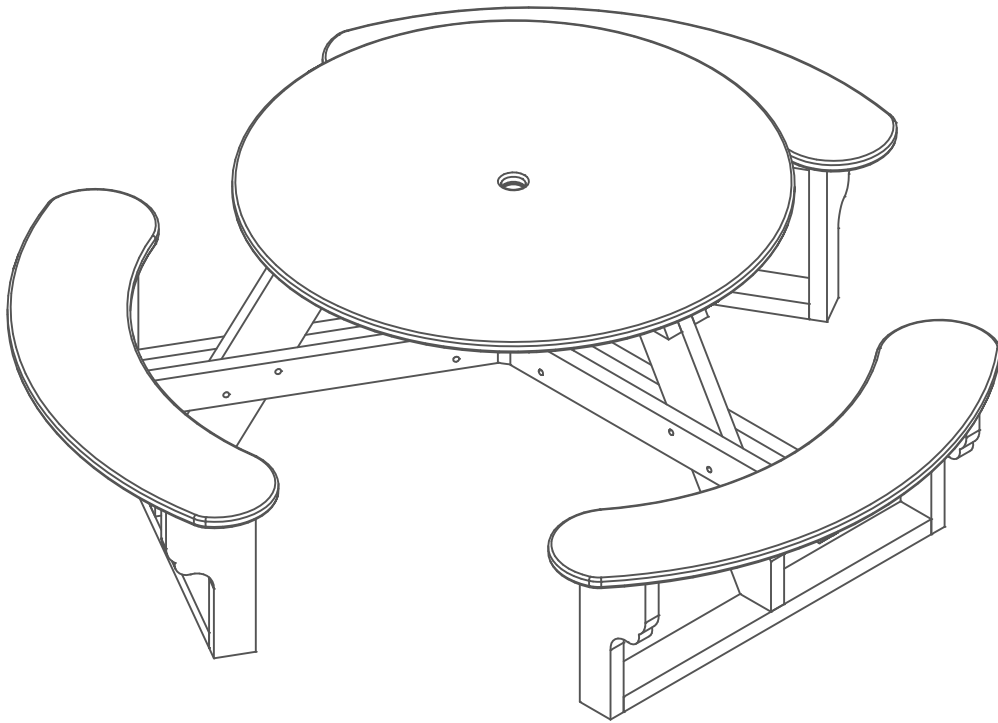


Round Picnic Table

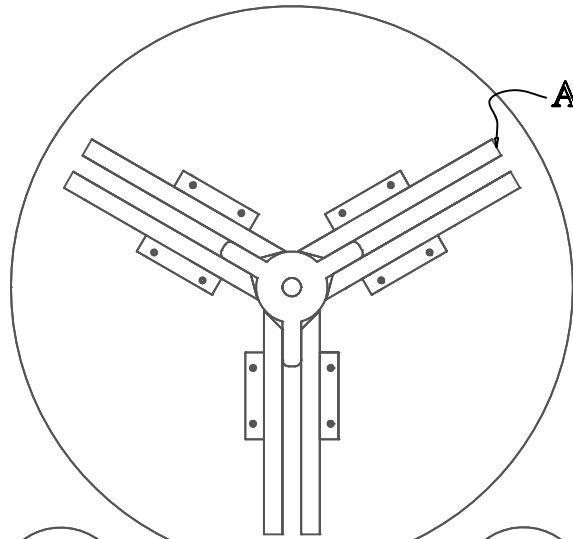
For Fastener Pack
(FP-ORT-CU-03)



Congratulations !!

You have just purchased the finest recycled plastic
picnic table available. Enjoy !!!

Before assembly, please make sure all components are included.



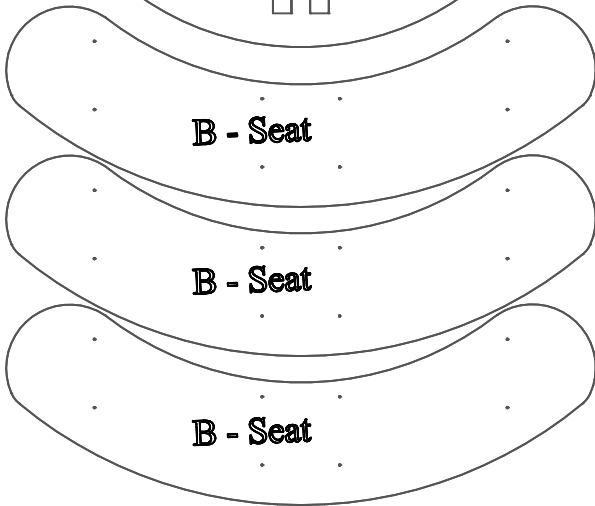
A - Table Top Assembly

(1) - One Table Top Assembly
OTSA-ORT-A-01



FP - Fastener Pack

(1) - One Fastener Pack
FP-ORT-CU-03

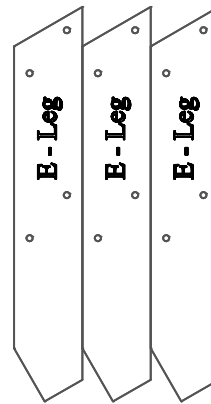


B - Seat

B - Seat

B - Seat

(3) - Three Seats
OTP-R-B-01

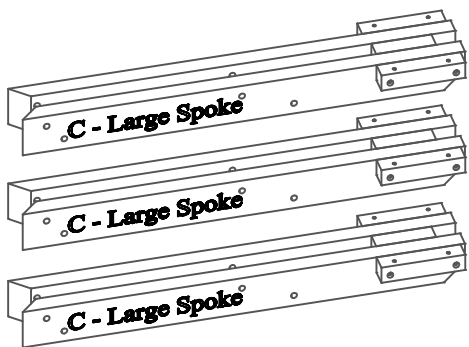


E - Leg

E - Leg

E - Leg

(3) - Three Legs
OTP-HRA-G-02

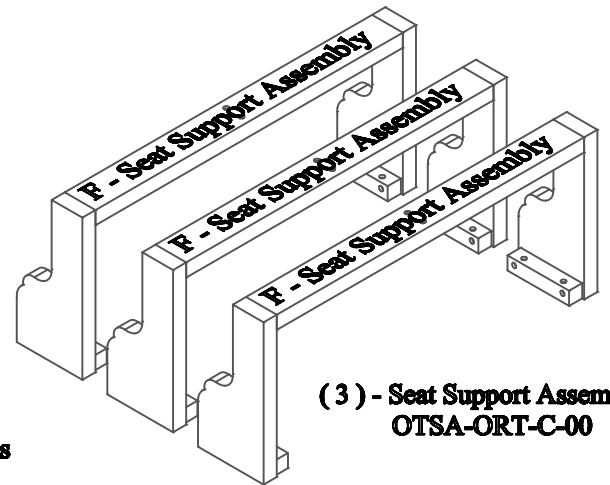


C - Large Spoke

C - Large Spoke

C - Large Spoke

(3) - Three Large Spokes
OTSA-ORT-B-00

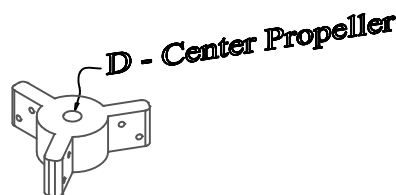


F - Seat Support Assembly

F - Seat Support Assembly

F - Seat Support Assembly

(3) - Seat Support Assemblies
OTSA-ORT-C-00



D - Center Propeller

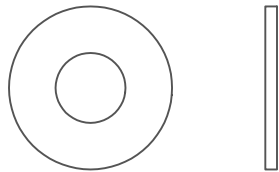
(1) - One Center Propeller
PS-OTC-A-01

Before assembly, please make sure all fasteners are included.

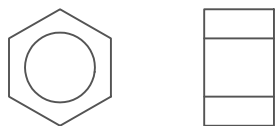
18 - 3/8" x 5" Hex Head Bolt



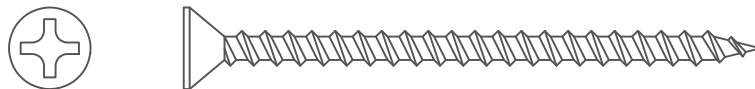
36 - 3/8" Flat Washer



18 - 3/8" Nylon Lock Nut



6 - #12 x 3" Flat Head Phillips Screw



24 - #12 x 2" Flat Head Phillips Screw



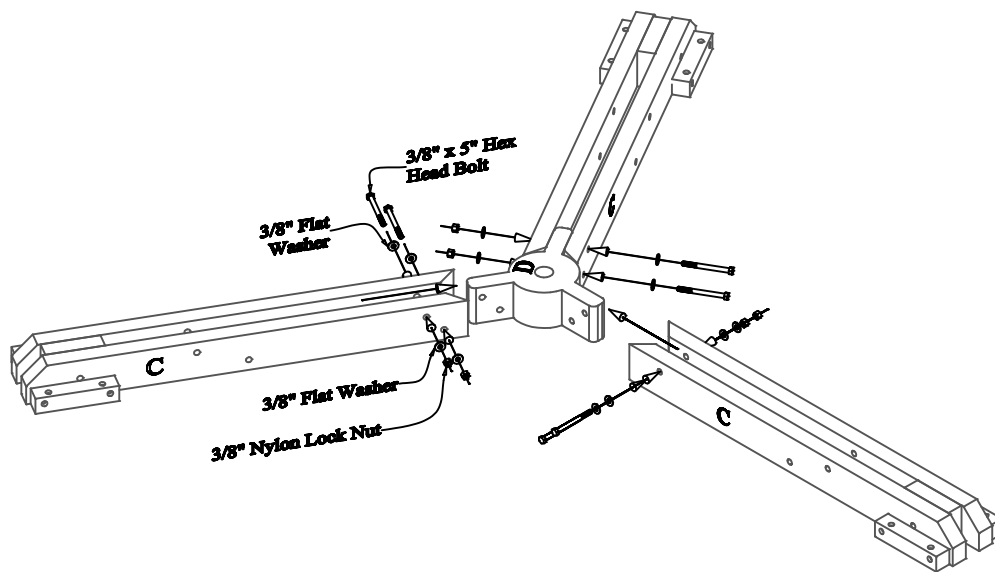
Also needed for this assembly will be the following materials:

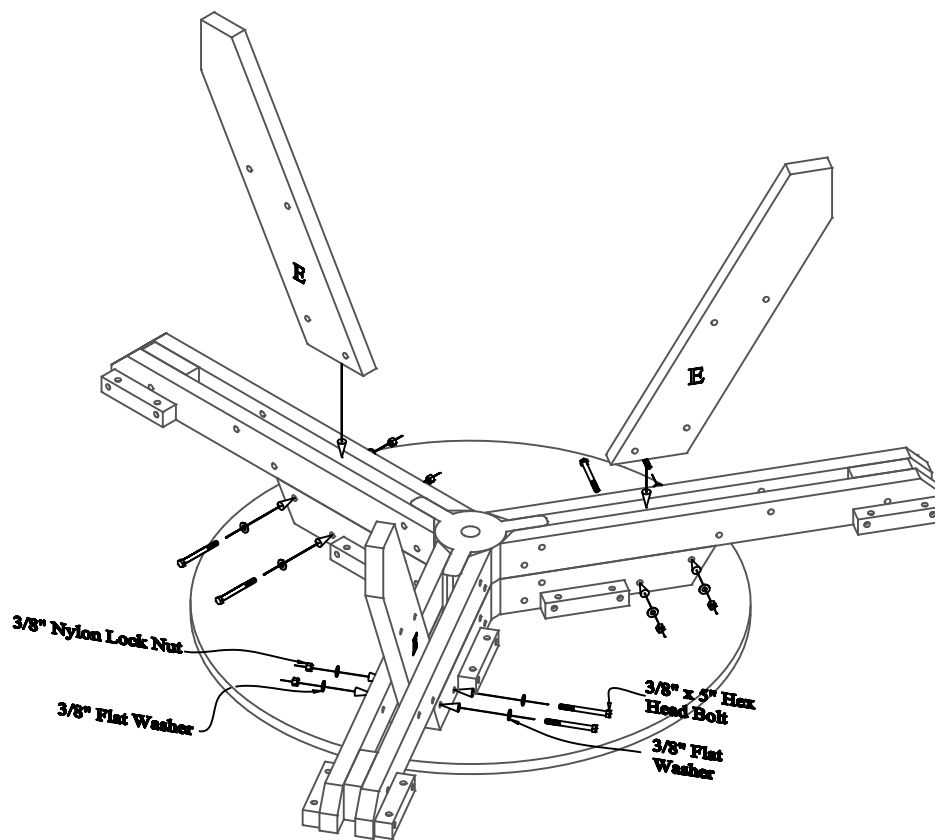
1 - #3 Phillips Drive Bit

2 - 9/16" Socket Wrench

Step #1:

Assemble the large spokes (part C) to the center propeller (part D) as shown below. Use (1) One 3/8" x 5" Hex Head Bolt and (1) One 3/8" Flat Washer, along with (1) One 3/8" Flat Washer and (1) One 3/8" Nylon Lock Nut per hole to secure.

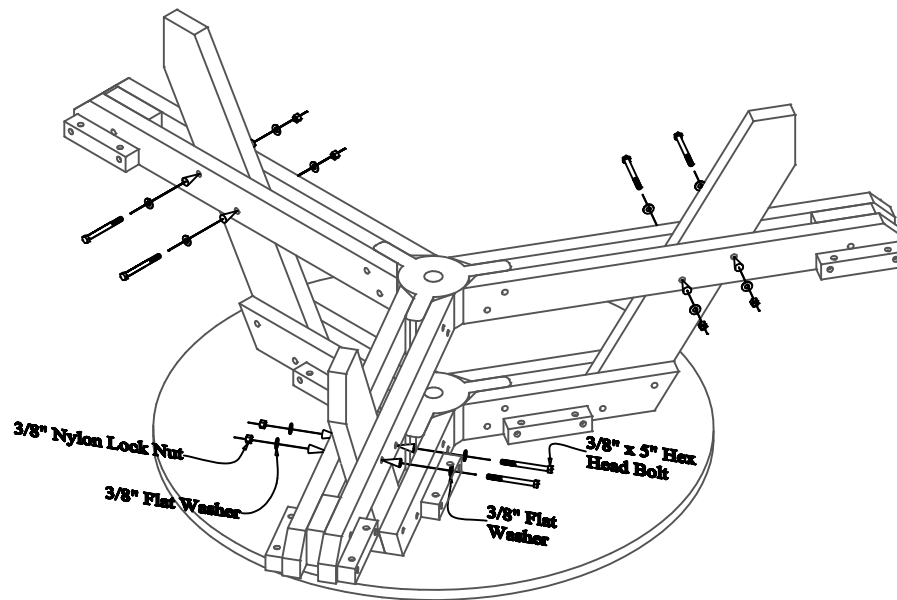




Step #2:

Place the Table Top Assembly (part A) upside down onto a piece of cardboard or another soft surface to protect it during installation. Place the large spoke assembly onto the table top assembly. Slide (1) One leg (part E) between the propellers of each spoke assembly. Secure the legs to the small spoke assembly. Use (1) One 3/8" x 5" Hex Head Bolt and (1) One 3/8" Flat Washer, along with (1) One 3/8" Flat Washer and (1) One 3/8" Nylon Lock Nut per hole to secure.

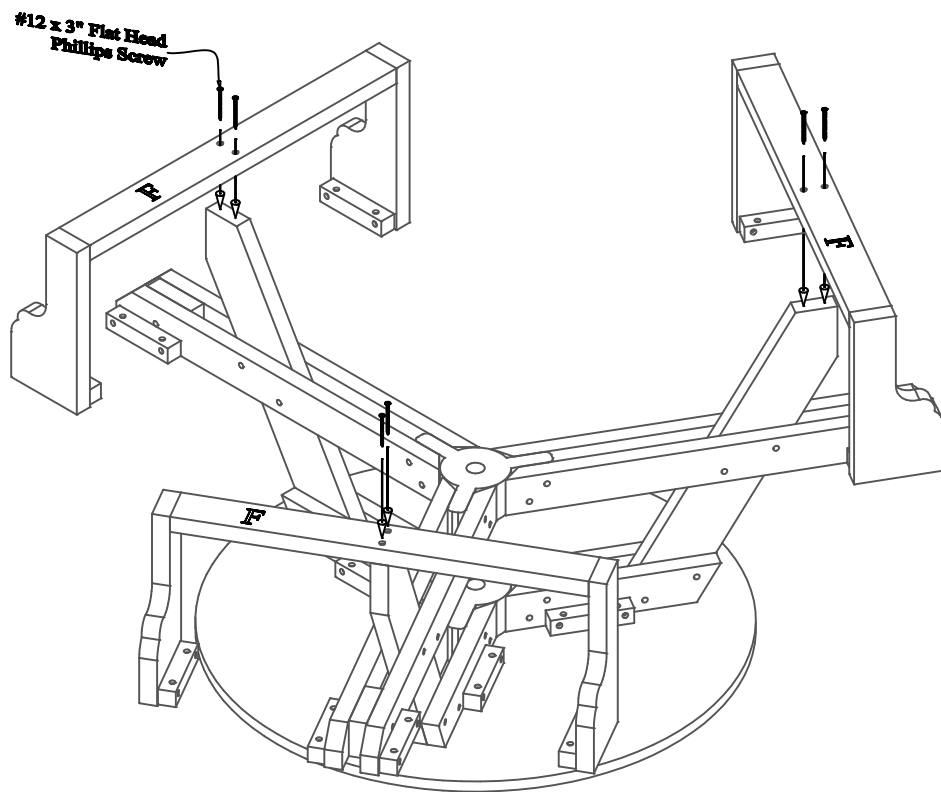
Do not tighten bolts completely. This will be done in a later step.



Step #3

While the table is upside down, slide the large spoke assembly up to match the holes to the legs. Secure the large spoke assembly to the legs as shown above. Use (1) One 3/8" x 5" Hex Head Bolt and (1) One 3/8" Flat Washer, along with (1) One 3/8" Flat Washer and (1) One 3/8" Nylon Lock Nut per hole to secure.

Be sure to tighten all loose bolts after completing this step.

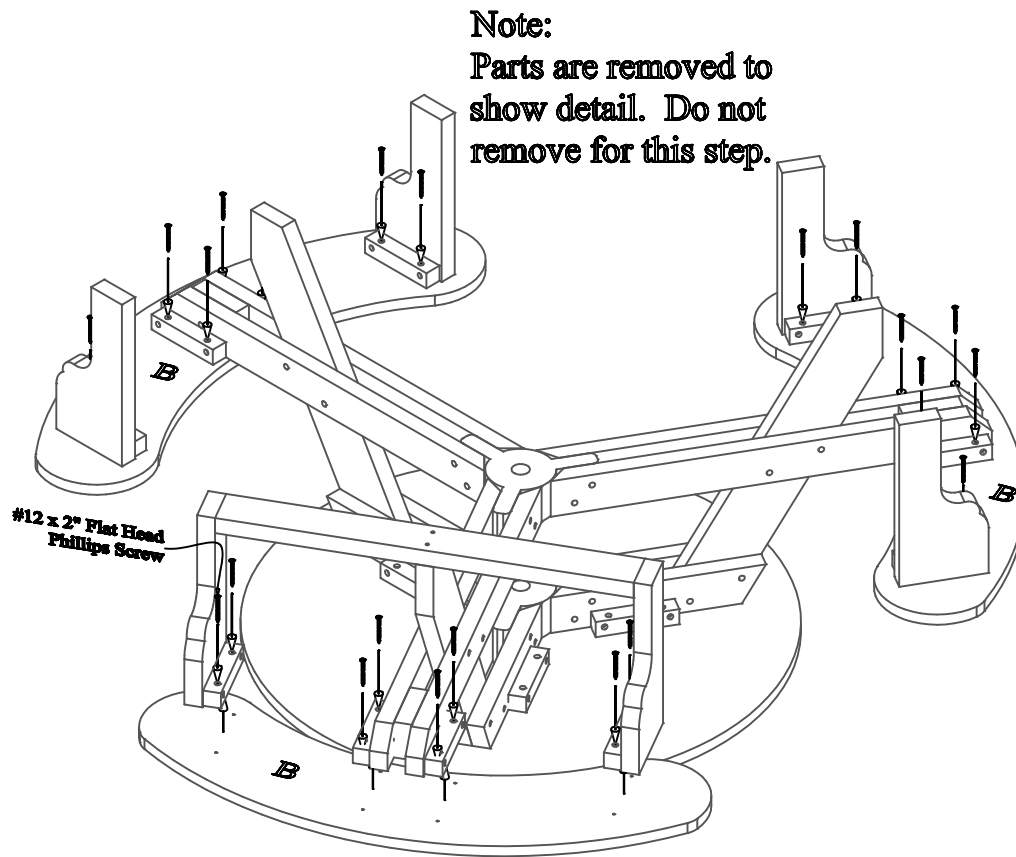


Step #4:

While the table is upside down, place the seat support assembly (part F) onto the legs as shown above. Align the pre-drilled holes in the seat support assembly with the pilot holes in the legs. Use (1) One #12 x 3" Flat Head Phillips Screw per hole to secure.

Step #5:

While the table is upside down, fasten the seats (part B) to the large spoke assembly and seat support assemblies as shown below. Align the pre-drilled holes in the large spoke assembly and seat support assemblies with the pilot holes in the seats. Use (1) One #12 x 2" Flat Head Phillips Screw per hole to secure. Please use caution while tightening the screws to not strip the threads out.



Step #6:

Turn the table upright onto it's frame. Be sure not to slide the table top on any rough surfaces. This will damage your table top. Please take caution while turning the table over. At this point in assembly the table weighs approximately 212 Pounds.

DEAR VALUED CUSTOMER,

THANK YOU FOR PURCHASING THIS PRODUCT. THIS PRODUCT IS MANUFACTURED USING RECYCLED MATERIALS AND MAY HAVE SLIGHT COLOR VARIATIONS, OCCASIONAL SPECKS OF COLOR OR IRREGULAR SURFACE PATTERNS. THESE ARE NORMAL CONDITIONS OF RECYCLED PLASTICS AND MAKE EACH PIECE OF FURNITURE UNIQUE. THESE CHARACTERISTICS DO NOT AFFECT THE STRENGTH, QUALITY OR PERFORMANCE OF THE PRODUCT.

THANK YOU AGAIN FOR PURCHASING THIS PRODUCT AND HELPING OUR ENVIRONMENT.