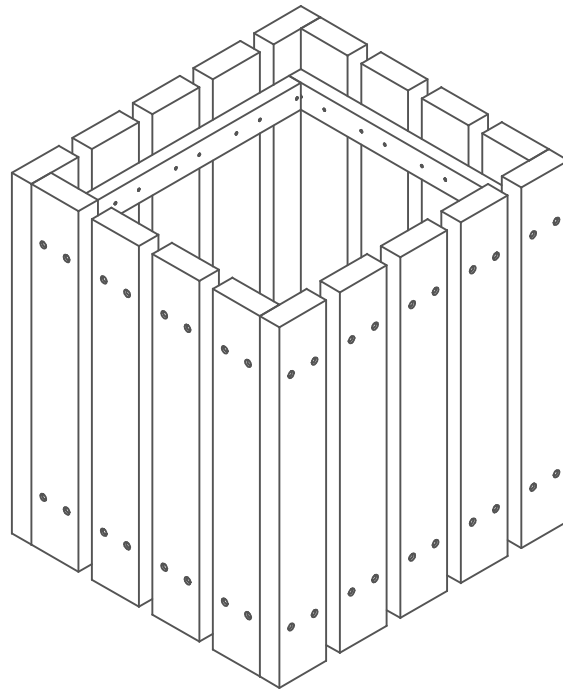


Econo-Mizer Planter Box

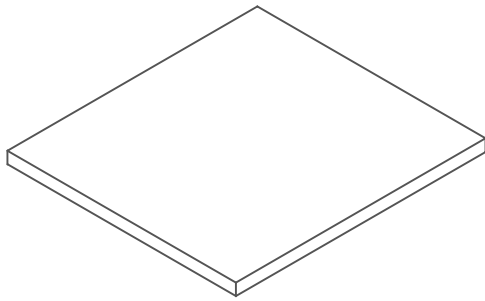
For Fastener Pack
(FP-EMP-CU-01)



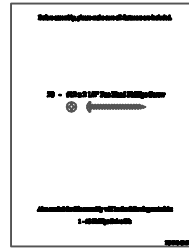
Congratulations !!

You have just purchased the finest recycled plastic
planter box available. Enjoy !!!

Before assembly, please make sure all components are included.

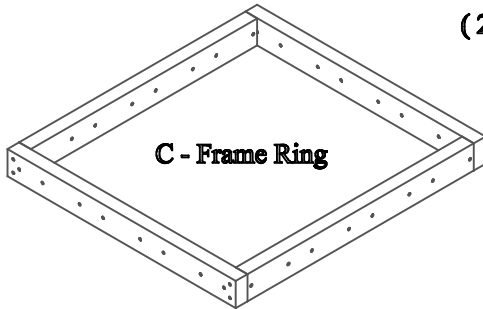


(1) - Bottom Plate
PBP-EMP-F-01



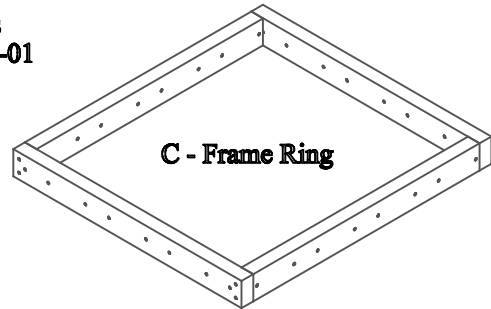
(1) - One Fastener Pack
FP-EMP-CU-01

FP - Fastener Pack



C - Frame Ring

(2) - Two Frame Rings
TRSA-EMT22-A-01



C - Frame Ring

(18) - Eighteen Side Boards
PBP-EMP-A-01

◦	A - Side Board	◦
◦	A - Side Board	◦
◦	A - Side Board	◦
◦	A - Side Board	◦
◦	A - Side Board	◦
◦	A - Side Board	◦
◦	A - Side Board	◦
◦	A - Side Board	◦
◦	A - Side Board	◦
◦	A - Side Board	◦

◦	A - Side Board	◦
◦	A - Side Board	◦
◦	A - Side Board	◦
◦	A - Side Board	◦
◦	A - Side Board	◦
◦	A - Side Board	◦
◦	A - Side Board	◦
◦	A - Side Board	◦
◦	A - Side Board	◦
◦	A - Side Board	◦

Before assembly, please make sure all fasteners are included.

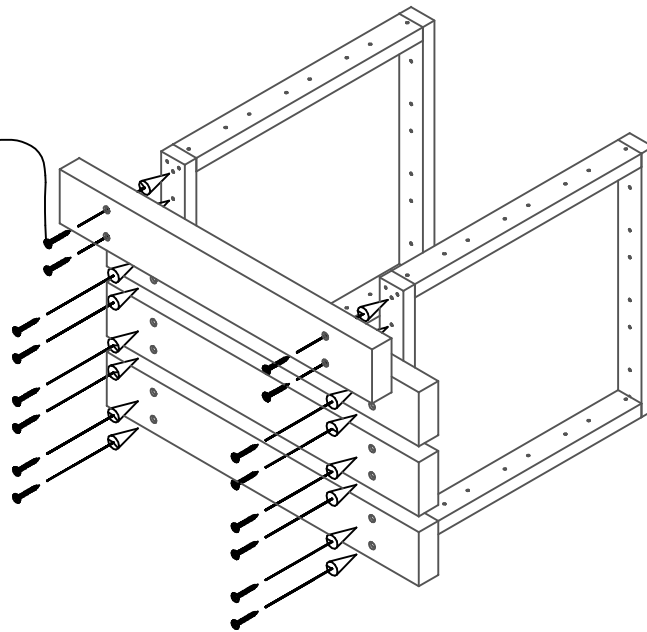
72 - #12 x 1-3/4" Flat Head Phillips Screw



Also needed for this assembly will be the following materials:

1 - #3 Phillips Drive Bit

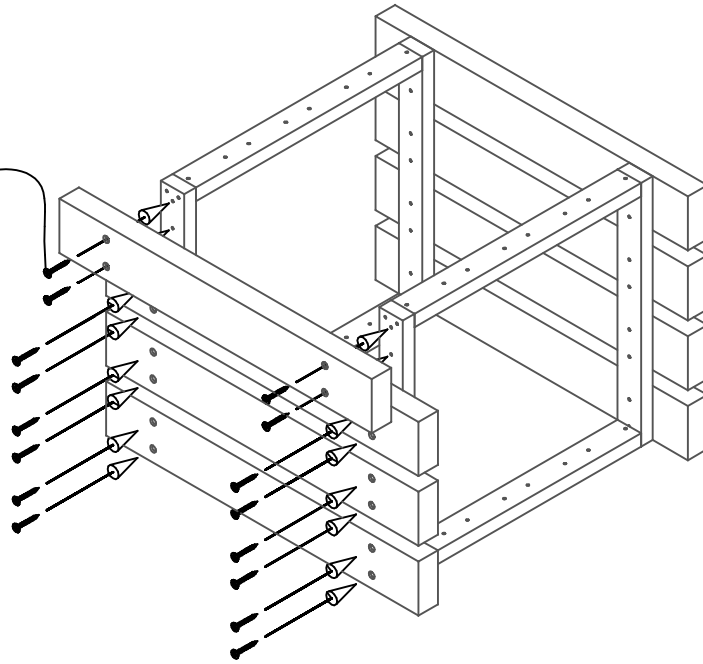
*#12 x 1-3/4" Flat Head
Phillips Screw*



Step #1:

Place the (2) two Frame Rings on edge with the long edge on a flat surface as shown in the diagram above. One at a time, place (4) four Side Boards in position making sure the holes line up with the pre-drilled pilot holes in the Frame Rings. Fasten using (1) one 1-3/4" Flat Head Phillips Screw per hole.

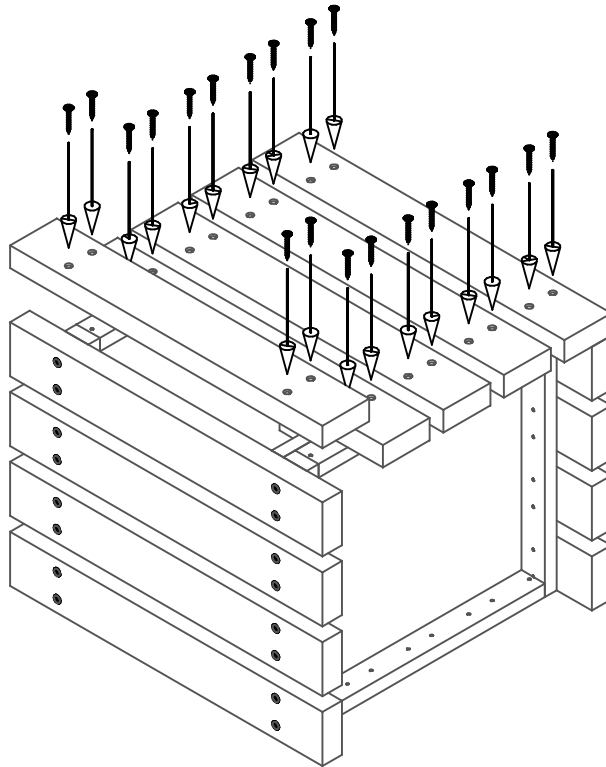
*#12 x 1-3/4" Flat Head
Phillips Screw*

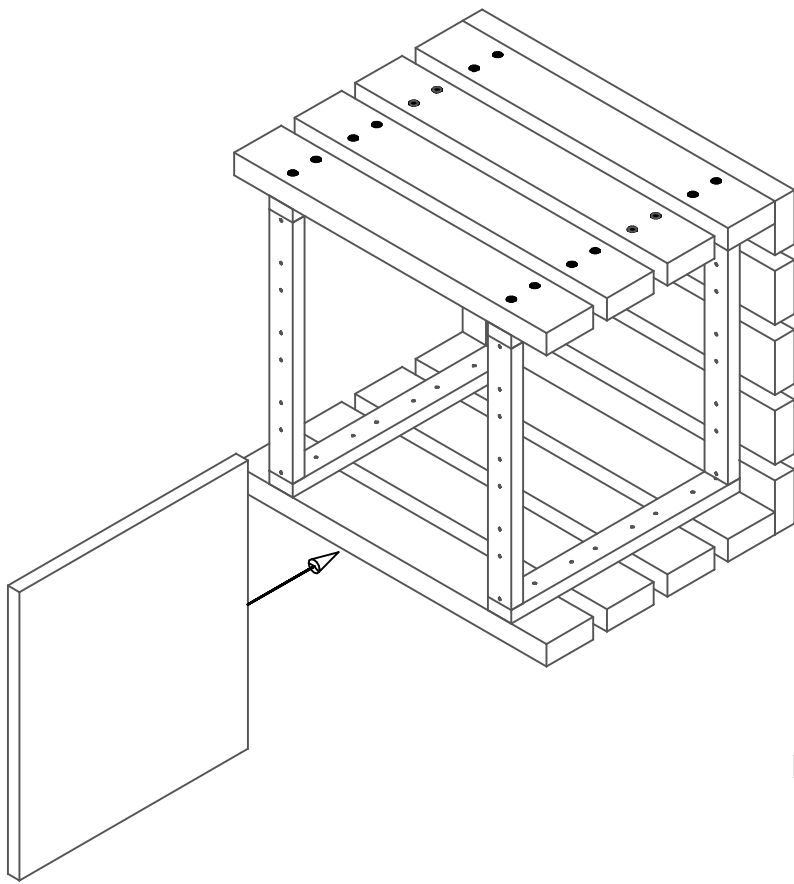


Step #2:
Repeat Step #1 for the opposite side.

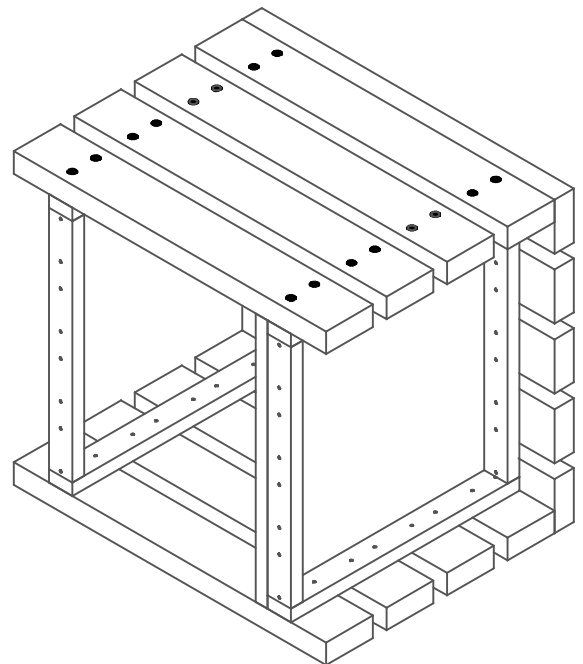
Step #4:

One at a time, place (5) five Side Boards in position making sure the holes line up with the pre-drilled pilot holes in the Frame Rings. Fasten using (1) one 1-3/4" Flat Head Phillips Screw per hole.



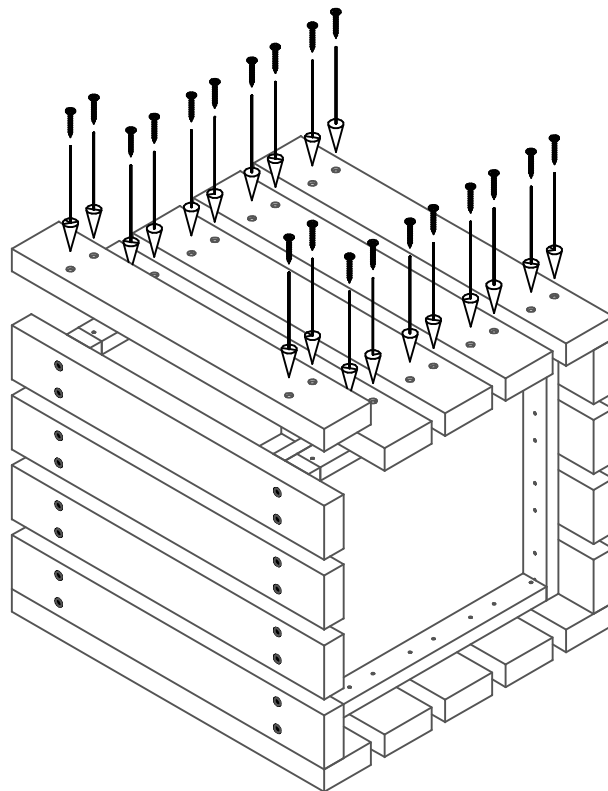


PBP-EMP-F-01



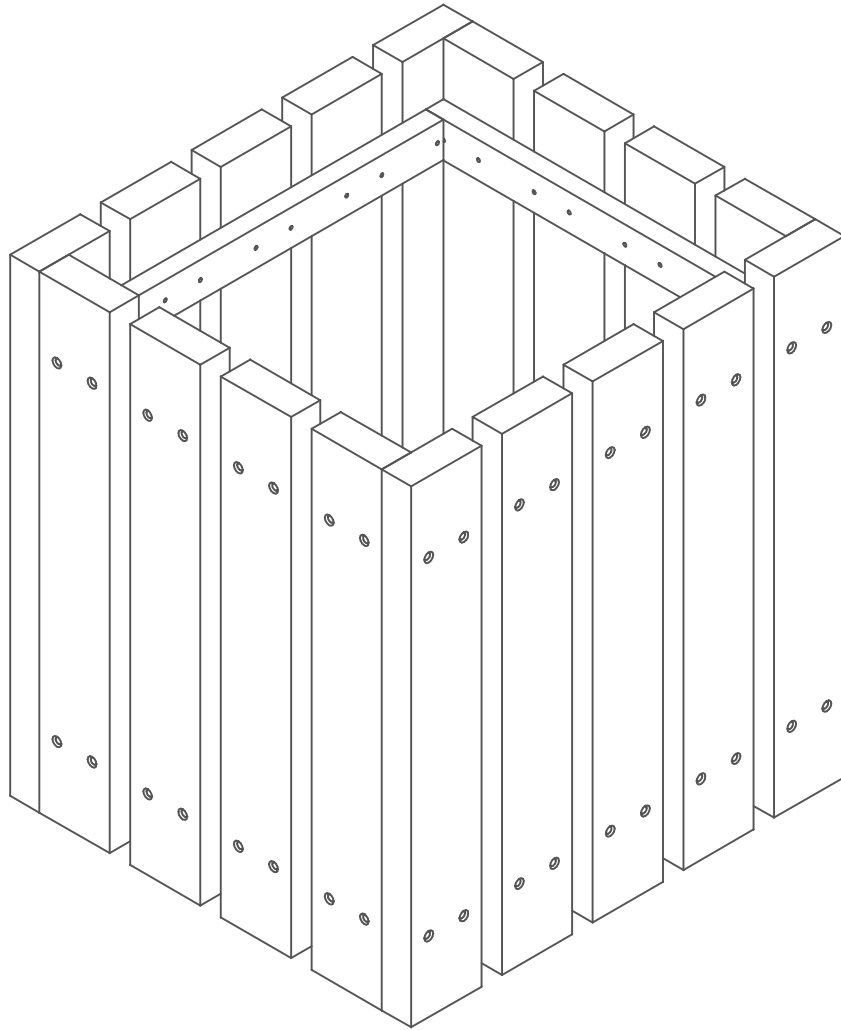
Step #5:

On the open side of the Planter Box, insert the "PBP-EMP-F-01" into the planter box as shown, making sure it is rotated the correct way.



Step #6:

One at a time, place (4) four Side Boards in position making sure the holes line up with the pre-drilled pilot holes in the Frame Rings. Fasten using (1) one 1-3/4" Flat Head Phillips Screw per hole.



Flip it to the up right position and your planter box is now complete.