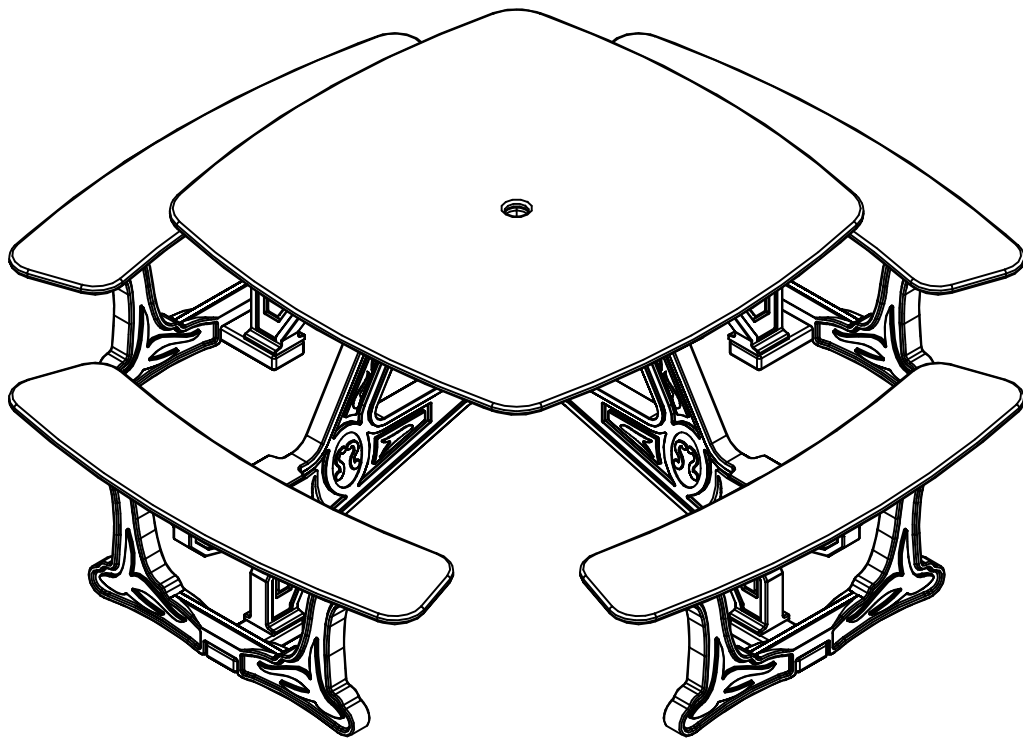


Bistro Picnic Table

For Fastener Pack
(FP-BST-CU-02)

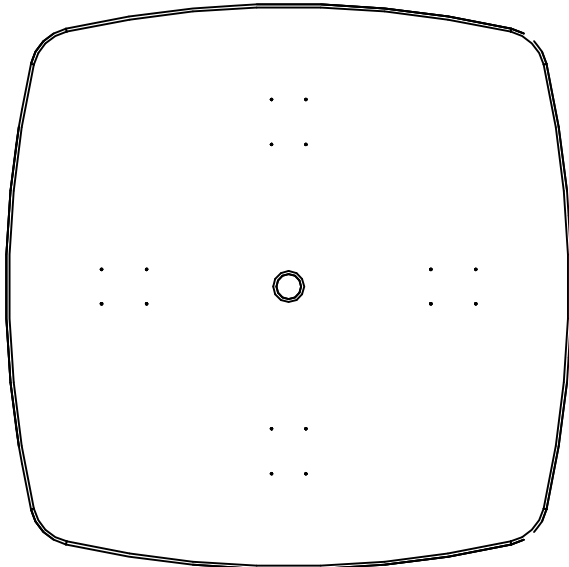


Congratulations !!

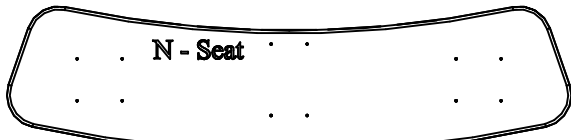
You have just purchased the finest recycled plastic picnic table available. Enjoy !!!

Before assembly, please make sure all components are included.

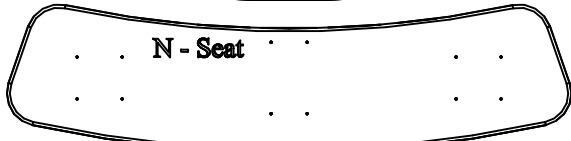
J - Table Top



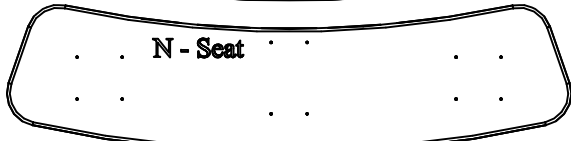
(1) - One Table Top
GSP-BST-A-01



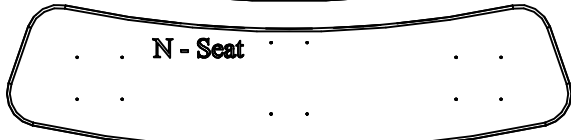
N - Seat



N - Seat

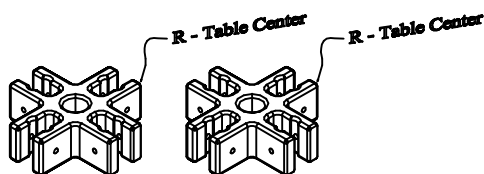


N - Seat



N - Seat

(4) - Four Seats
GSP-BST-B-01



R - Table Center

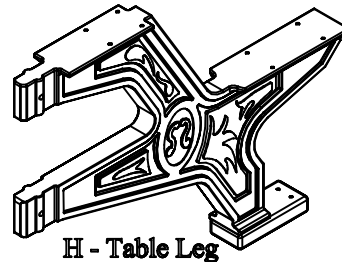
R - Table Center

(2) - Two Table Centers
PS-GSCS-A-01

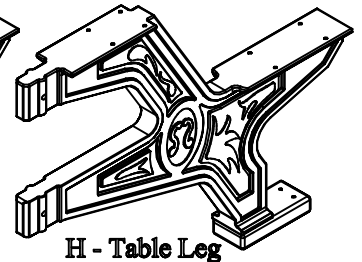


(1) - One Fastener Pack
FP-BST-CU-01

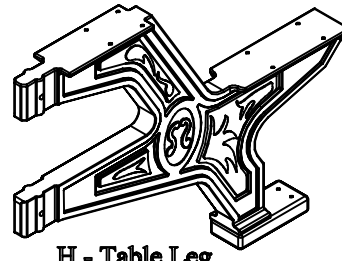
FP - Fastener Pack



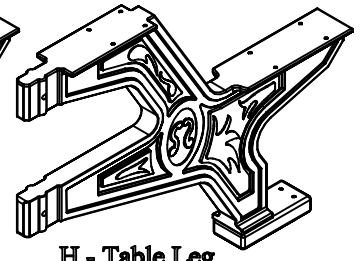
H - Table Leg



H - Table Leg

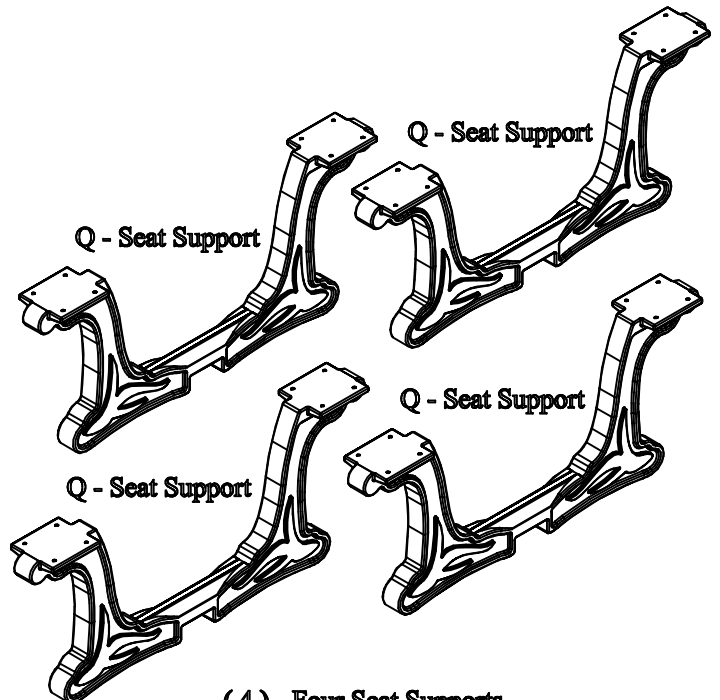


H - Table Leg



H - Table Leg

(4) - Four Table Legs
GSSA-CMTS-A-01



Q - Seat Support

Q - Seat Support

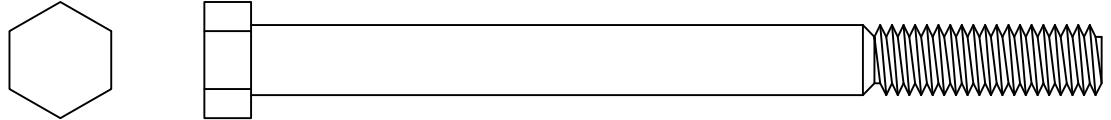
Q - Seat Support

Q - Seat Support

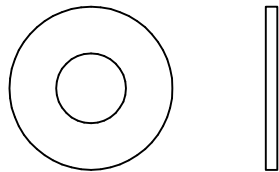
(4) - Four Seat Supports
PS-GSSS-A-01

Before assembly, please make sure all fasteners are included.

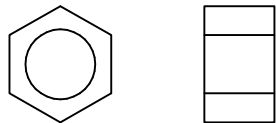
8 - 3/8" x 4 1/2" Hex Head Bolt



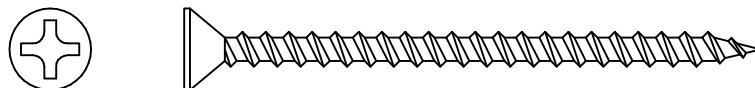
16 - 3/8" Flat Washer



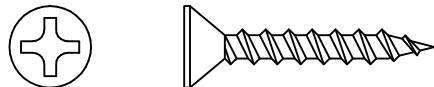
8 - 3/8" Nylon Lock Nut



8 - #12 x 3" Flat Head Phillips Screw



32 - #12 x 1-1/4" Flat Head Phillips Screw



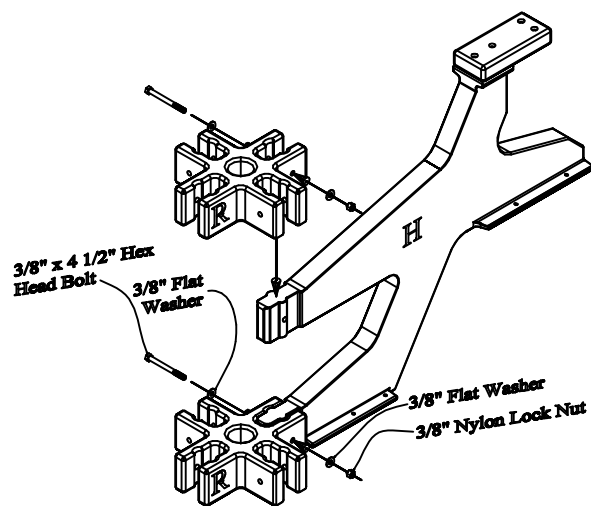
32 - #12 x 1" Pan Head Phillips Screw



Also needed for this assembly will be the following materials:

1 - #3 Phillips Drive Bit

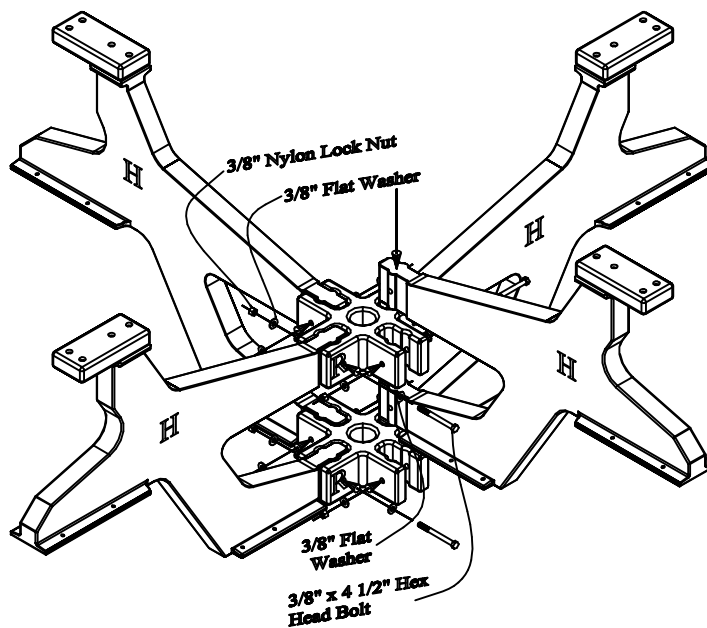
2 - 9/16" Socket Wrench



Step #1:

Slide (1) One Table Center onto each end of the Table Leg as shown above. Use (1) One 3/8" x 4 1/2" Hex Head Bolt and (1) One 3/8" Flat Washer along with (1) One 3/8" Flat Washer and (1) One 3/8" Nylon Lock Nut per hole to secure.

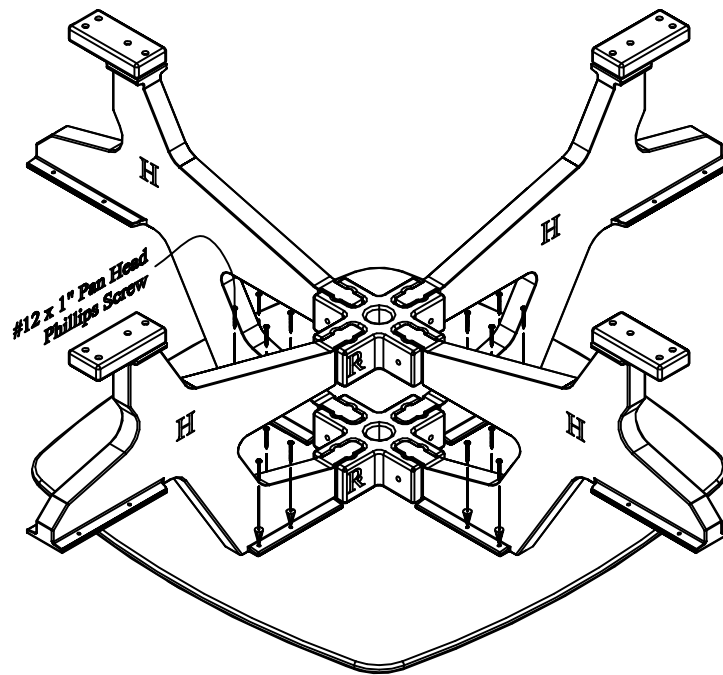
Do not tighten bolts completely. This will be done in a later step.



Step #2:

Slide the remaining (3) Three Table Legs in to the Table Centers. Use (1) One 3/8" x 4 1/2" Hex Head Bolt and (1) One 3/8" Flat Washer along with (1) One 3/8" Flat Washer and (1) One 3/8" Nylon Lock Nut per hole to secure.

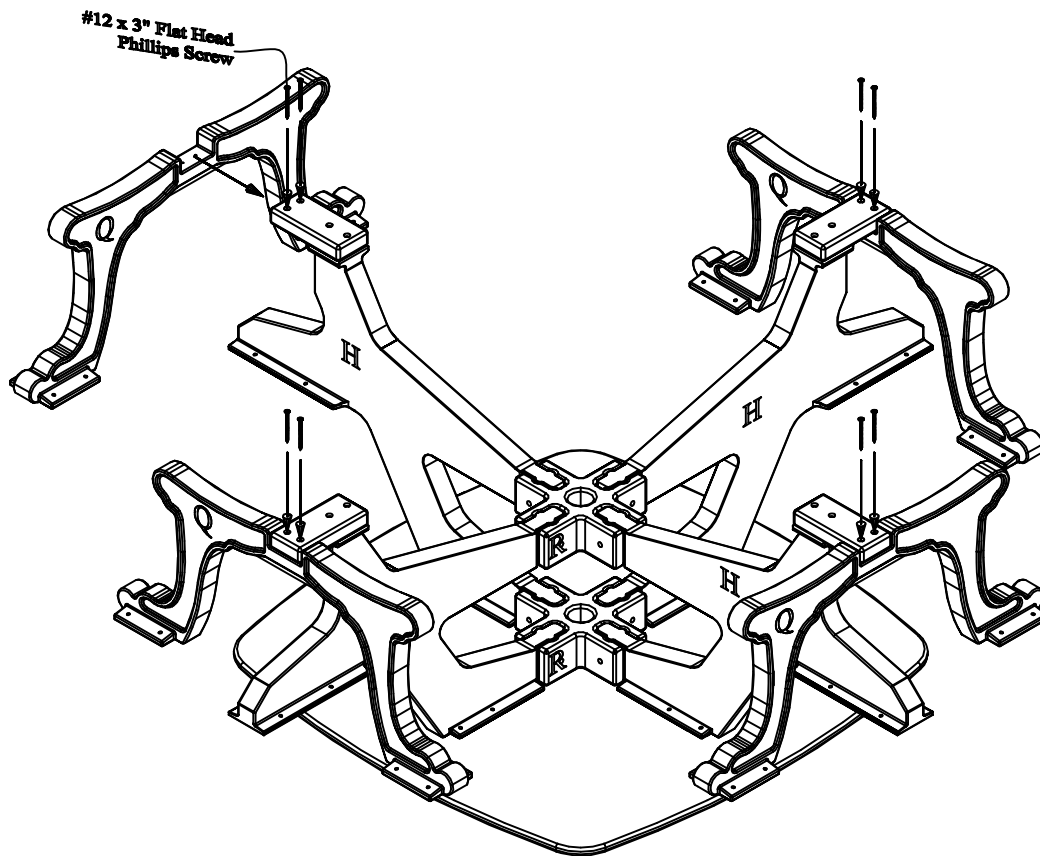
Do not tighten bolts completely. This will be done in a later step.



Step #3:

Place the Table Top upside down onto a piece of cardboard or another soft surface to protect it during installation. Place the leg assembly onto the Table Top as shown above. Align the pre-drilled holes in the Table Legs with the pilot holes in the Table Top. Use (1) One #12 x 1" Pan Head Screw per hole to secure.

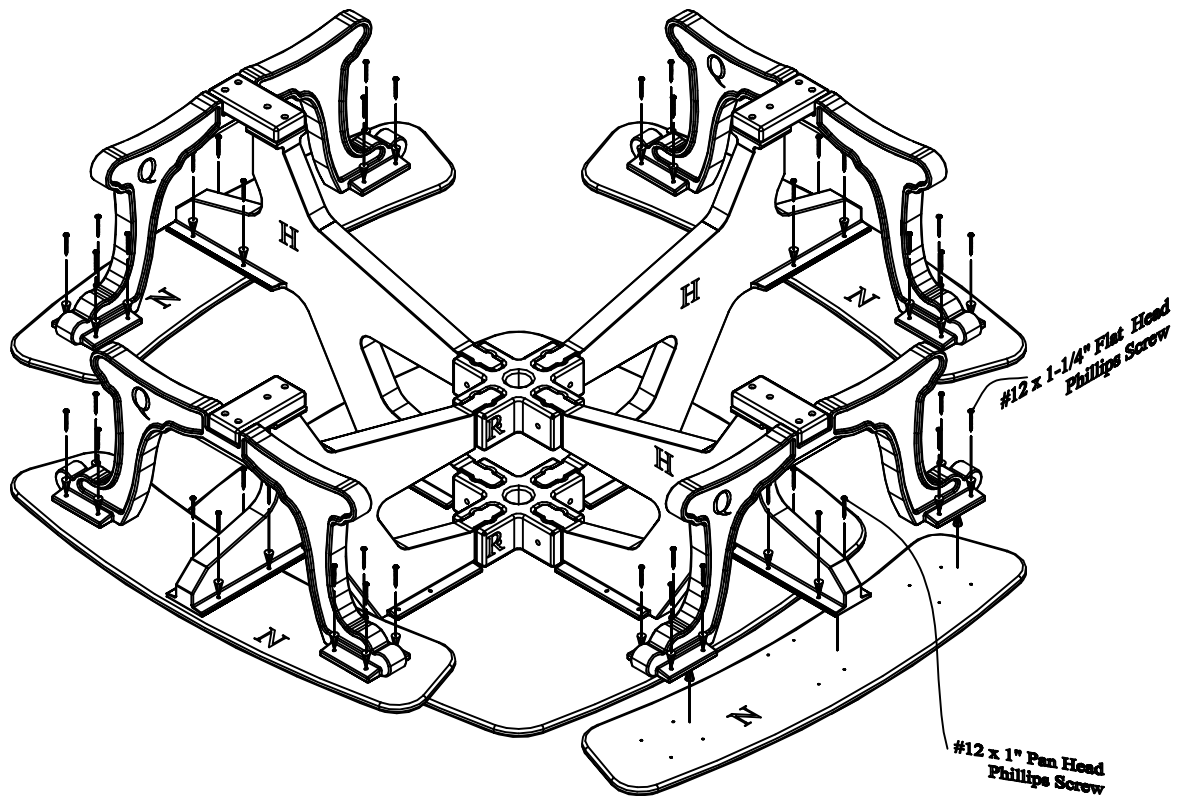
Be sure to tighten all screws and bolts after completing this step.



Step #4:

While the table is upside down, align the pre-drilled holes in the Table Leg to the pilot holes in the Seat Support as shown above. Use (1) One #12 x 3" Flat Head Screw per hole to secure.

Do not tighten screws completely. This will be done in a later step.

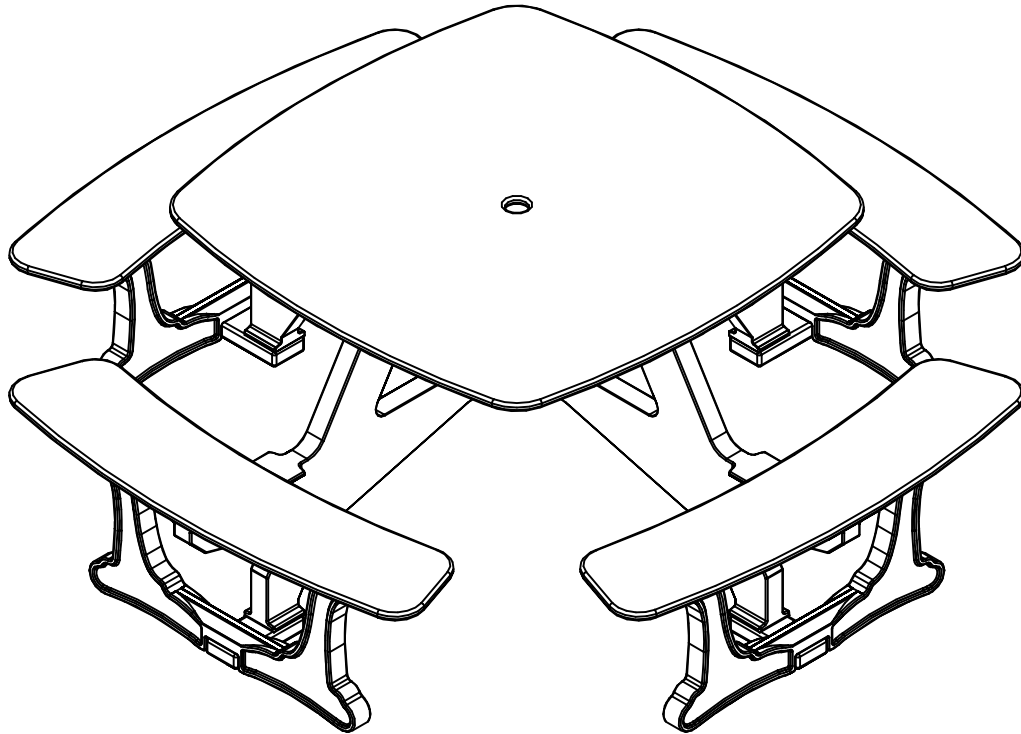


Step #5:

While the table is upside down, align the pre-drilled holes in the Seat to the pilot holes in the Table Leg as shown above. Use (1) One #12 x 1" Pan Head Screw per hole to secure.

Align the pre-drilled holes in the Seat to the pilot holes in the Seat Support as shown above. Use (1) One #12 x 1-1/4" Flat Head Screw per hole to secure.

Be sure to tighten all loose screws after completing this step.



Step #6:

Turn the table over on to its legs, please use caution for the table weighs approximately 200 pounds.