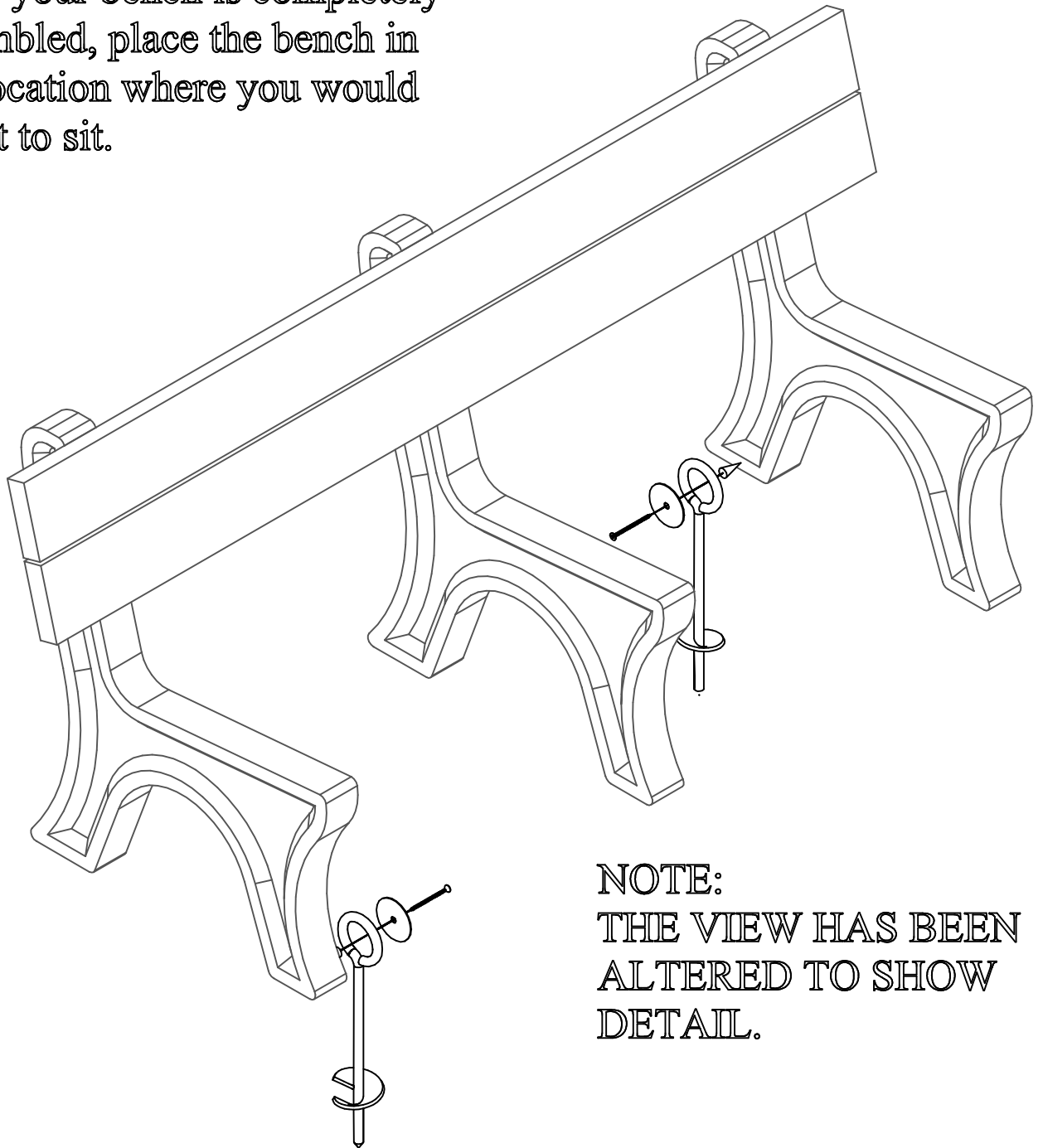


Backed Bench

GROUND ANCHORING INSTRUCTIONS

STEP #1:

After your bench is completely assembled, place the bench in the location where you would like it to sit.



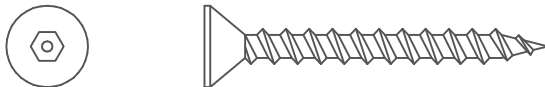
NOTE:
THE VIEW HAS BEEN
ALTERED TO SHOW
DETAIL.

Before assembly, please make sure all fasteners are included.

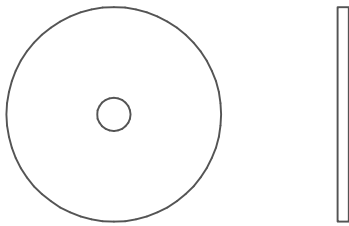
- 1 - 1/4" T-25 Torx Security Bit



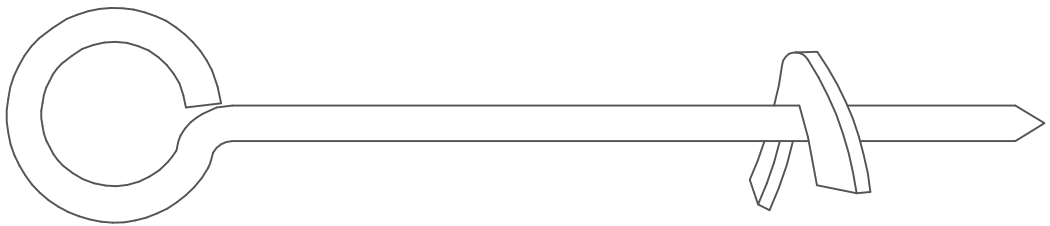
- 2 - #14 x 2" Flat Head 6 Lobe Screw



- 2 - 5/16" Flat Washer w/ 2" Outer Diameter



- 2 - 15" Screw-In Earth Anchors

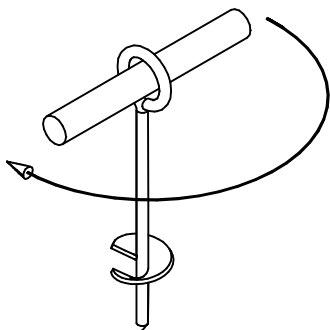


The following materials will also be needed for this assembly:

- Metal or Solid Wood Rod/Dowel about 1/2" to 1" in Diameter and at least 12" in Length
- Cordless Driver
- 1/8" Drill Bit
- 1/4" Bit Holder

STEP #2:

With the bench in place, find the center of the inside portion of the legs to be attached to the anchors. Mark a hole in the ground about 1/2" away from the legs. This is where you need to screw in the earth anchors.

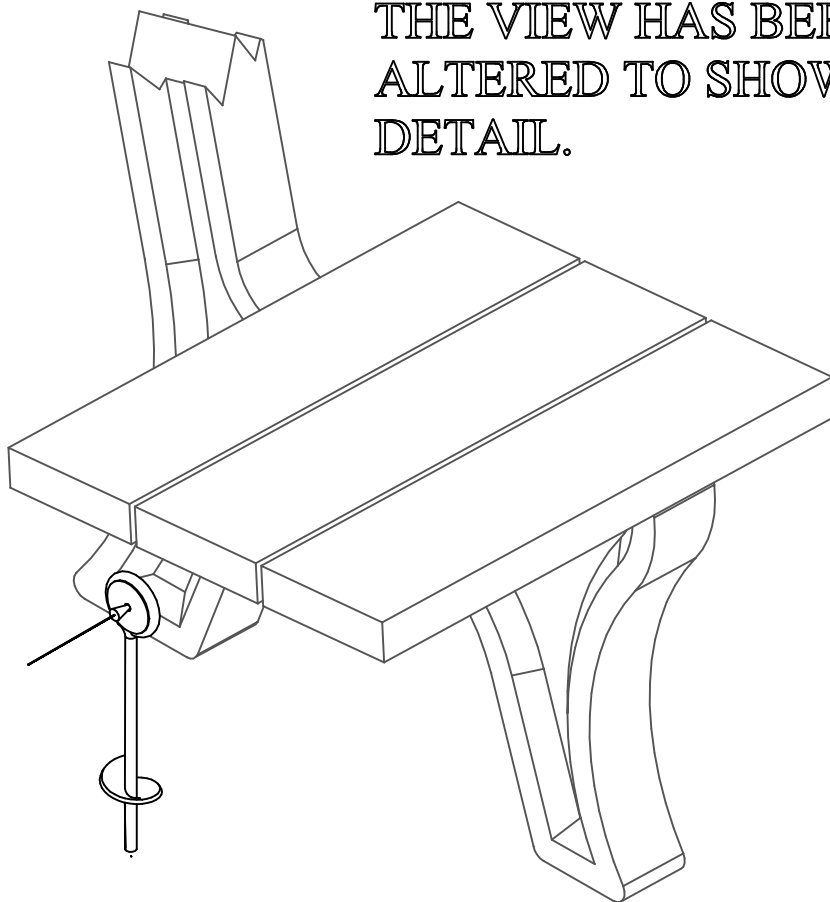


STEP #3:

Move the bench out of the way and screw in the 15" Earth Anchors clockwise using a stiff rod/dowel for added leverage. Make sure to spin the anchors so that the "eye" is parallel with the leg.

STEP #4:

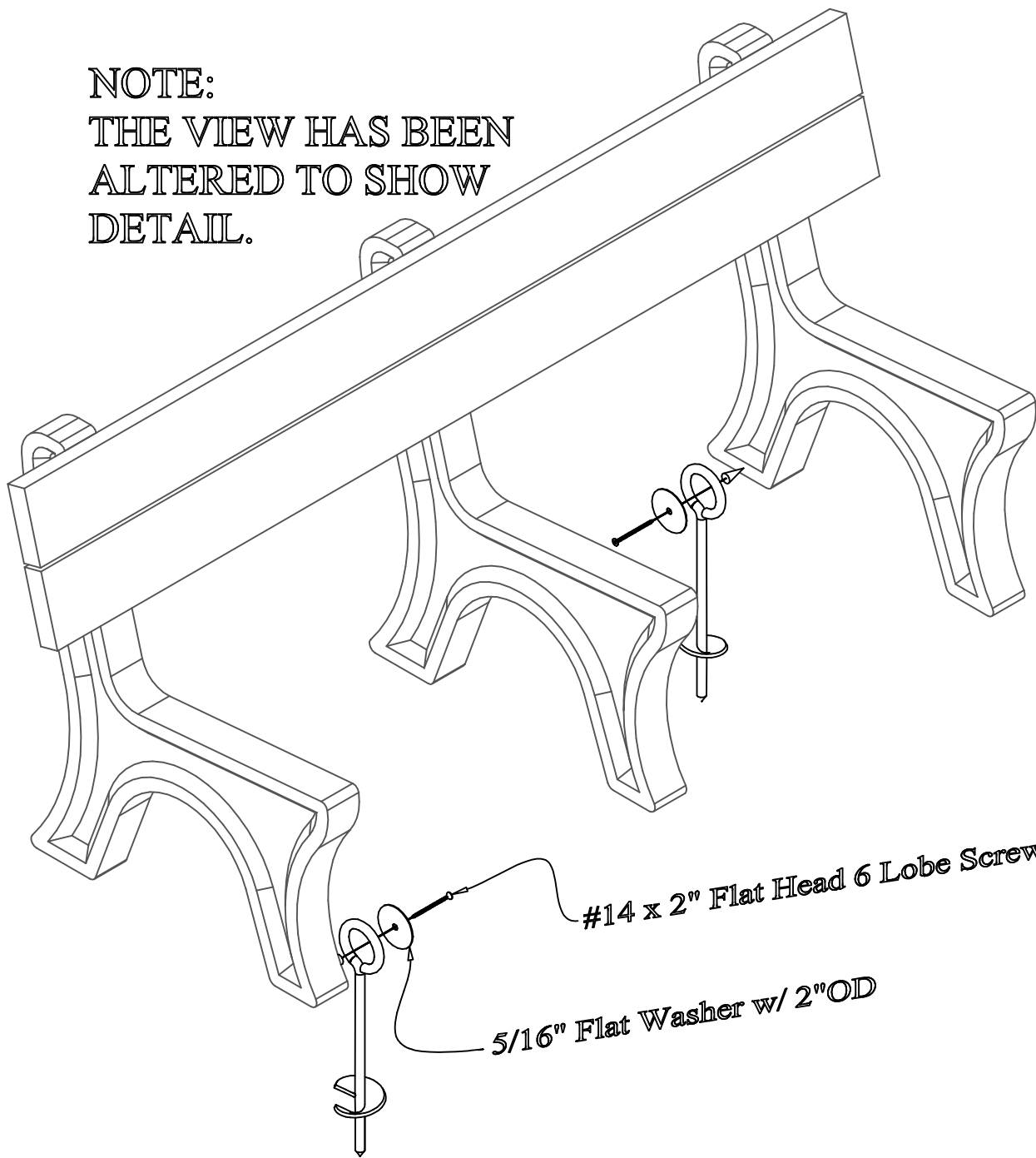
With the ground anchors in place, use the washers to mark the bench legs for pilot holes lined up with the center of the "eye" on the anchors. Drill in the location of the marks using an 1/8" drill bit going about 3/8" deep.



NOTE:

THE VIEW HAS BEEN ALTERED TO SHOW DETAIL.

NOTE:
THE VIEW HAS BEEN
ALTERED TO SHOW
DETAIL.



STEP #5:

Line up the #14 x 2" Flat Head 6 Lobe Screw, 5/16" Flat Washer w/ 2"OD, and Screw-In Earth Anchor with the holes just drilled and secure using the provided 1/4" T-25 Torx Security Bit.

DEAR VALUED CUSTOMER,

THANK YOU FOR PURCHASING THIS PRODUCT. THIS PRODUCT IS MANUFACTURED USING RECYCLED MATERIALS AND MAY HAVE SLIGHT COLOR VARIATIONS, OCCASIONAL SPECKS OF COLOR OR IRREGULAR SURFACE PATTERNS. THESE ARE NORMAL CONDITIONS OF RECYCLED PLASTICS AND MAKE EACH PIECE OF FURNITURE UNIQUE. THESE CHARACTERISTICS DO NOT AFFECT THE STRENGTH, QUALITY OR PERFORMANCE OF THE PRODUCT.

THANK YOU AGAIN FOR PURCHASING THIS PRODUCT AND HELPING OUR ENVIRONMENT.