

OPTIONAL/ADDITIONAL EQUIPMENT WITH WIRELESS AMPLIFIERS

Your lectern includes two corded microphones. For complete freedom of movement, use any of these wireless accessories.

HAND-HELD WIRELESS MIC. / LWM-5

This wireless hand-held Mic. Uses a 9-volt battery. Select channel A or B to eliminate outside frequency interruption. Move freely up to 200 ft. away!

**TIE-CLIP LAVELIER WIRELESS MIC. / LWM-6**

Includes pocket-size transmitter with a clip-on mic. Uses a 9-volt battery. Select channel A or B to eliminate outside frequency interruption. Move freely up to 200 ft. away!

**HEADSET WIRELESS MIC. / LWM-7**

Includes pocket-size transmitter with a headset mic. Uses a 9 volt battery. Select channel A or B to eliminate outside frequency interruption. Move freely up to 200 ft. away!

**12V LANTERN STYLE RECHARGEABLE BATTERY / #PS12V**

12V 5 amp rechargeable battery pack w/included cable connects to any of our lecterns for battery power. 20 hr life.



For these and other OS accessories, please contact your dealer, or:

OKLAHOMA SOUND

149 Entin Road, Clifton, NJ 07014

Tel 973-594-9000 • Fax 973-594-9339

www.oklahomasound.com • email: info@oklahomasound.com

**Orator Lectern****INSTRUCTION MANUAL****MODEL #800X**

INTRODUCTION

Congratulations! You are now the owner of the Orator, #800X Lectern, from Oklahoma Sound. Now also includes wireless options built in. We wish you long-lasting trouble-free usage for years to come. If you have any questions or experience any difficulty with the product, please feel free to call our Customer Service at 973-594-9000.

IMPORTANT SAFETY INFORMATION

As with any electric / electronic device, care should be taken during use. Always turn off amplifier before opening or servicing any part of the unit. Please handle your lectern with the care it deserves

Manufacturers Warranty

Our Lecterns undergo the most rigid and exacting tests for superior quality and performance before leaving the factory. Oklahoma Sound Corporation warrants this product to be free from defective material and workmanship on the electronic product speakers and microphones for five years from the date of resale by an authorized Oklahoma Sound distributor. Oklahoma Sound will replace defective parts and repair malfunctioning products under this warranty when the defect occurs under normal installation and use, provided the unit is returned to our factory via prepaid transportation after direct authorization and approval by Oklahoma Sound. This warranty provides that examination of the returned product must disclose in our judgement, a manufacturing defect. This warranty does not extend to any product which has been subject to misuse, neglect, accident, improper installation, or where the serial number has been removed or defected and is given in lieu of any other warranty implied or expressed and will not cover any consequential damages.

AMPLIFIER OPERATING INSTRUCTIONS

Operating Precautions

Before operating the amplifier, be sure you fully understand all instructions and features of the amplifier. DO NOT turn amplifier on until all input and output connections have been made. NEVER replace fuses unless power is off.

Microphone Input Connection

The microphone input accepts 1/4" phone jack. Do not position microphone next to or facing speakers. This may cause acoustic feedback.

Gooseneck Microphone

Install microphone into XLR input located on reading surface. Use Condenser Microphone Control to adjust volume.

Wireless Operation

Turn on the power on both the wireless receiver and wireless mic-1 making sure both are set to matching channels, either "A" or "B".

Auxiliary Input

One auxiliary input is provided for radio tuner, tape recorder, cd player or multimedia equipment. Output level is adjusted by the auxiliary volume control.

Tone / Equalization Controls

The Low and High frequency controls are similar to the bass and treble controls found on most stereo systems. Optimum tone is achieved by first setting both knobs half-way; adjust Low and High frequency controls to suit environment.

Auxiliary / Line Out

Connect speaker line to navy line out connector of the amplifier. For maximum power transfer and to avoid amplifier overload, be sure that the total impedance of the speaker line matches the output impedance setting on amplifier. Be sure that speaker terminals are not shorted together by speaker line connecting cables. Can also be used for a recording device.

Power Supply 12V DC Operation

Connect a 12 volt rechargeable battery 5 amp (not included) to the battery input connector located on the panel of the amplifier (using 6' battery cable). Note the positive line is equipped with an in-line fuse, as this is the only polarity identifier. Be sure that the positive line (in-line fuse) is connected to the positive pole of the battery (Red terminal) and the negative line (no fuse) is connected to the negative pole (Black terminal). When lectern is plugged into a standard wall outlet, the battery will automatically recharge. Green indicator light illuminates during recharge mode.

Precautions

- Set Mic volume control on lowest when turning unit on.
- Insure correct polarity for D.C. supply connections.
- Reverse connection will blow the fuse and may damage internal circuitry.
- Always replace fuse with specified rating.

Removal and Installation of Amplifier

If your amplifier has to be removed for servicing — follow these simple steps:

- 1) Disconnect A/C wall plug.
- 2) Remove 2 side screws one on each side panel under podium top. Model 800 owners, simply loosen height adjustment knob and remove top.
- 3) Disconnect speaker wire at rear of amplifier card.
- 4) Remove 4 wood screws holding chassis to podium and remove amplifier.
- 5) Pack it into a strong box with ample cushioning and return to factory.
- 6) To install new amplifier reverse the above procedure.



AMPLIFIER CONTROL PANEL

Microphone Inputs

Use the XLR input on the reading surface for the included Gooseneck mic or the Tie Clip mic in the Condenser jack for audio output. A dynamic mic can be purchased and used in the dynamic input.

Volume Control

Adjusts from 0 –10 to suit your environment.

Tone/Base Control

-0 to -5= min/max tone control +0 to +5= min/max base control

Auxiliary Input

For radio tuner, tape recorder, cd player or multi-media equipment Output level can be adjusted by the auxiliary volume control.

Fuse Box

Self contained sliding drawer holder for 2 amp fuse, with easy access.

Power Light

When in use red light comes on.

Output Jack

Use with 1/4" jack for auxiliary extension speaker to broaden audio coverage and volume. Also for recording device, to record speeches etc.

External Battery Jack

Plug in battery cable (not included) and attach to a 12V Lantern Battery.

Recharging Light

Illuminates when recharging.

On/Off Switch

Flick the switch for automatic power to the sound system.

Wireless Receiver

Select channel A or B.
The output stage is well protected against speaker short circuit/overload and has built in 'Thermal Shutdown' facility to guard against excessive temperatures.

Bluetooth/USB

- Turn power button on
- Press & hold MP3 Power button once to activate
- Insert USB drive or turn on bluetooth function on your device
- While device is playing:
- Press & hold down vol + button to increase volume
- Press & hold down volume - button to decrease volume
- Press MP3 Power button once to pause; press again once to resume
- Press & hold MP3 Power button to stop
- Press vol + button once to play next track
- Press vol- button once to play previous track
- Turn Tone control knobs to adjust Bass & Treble

TABLE OF CONTENTS

Introduction 2

Safety Information 2

Manufacturer’s Warranty 2

Assembly Instructions — Diagram 4

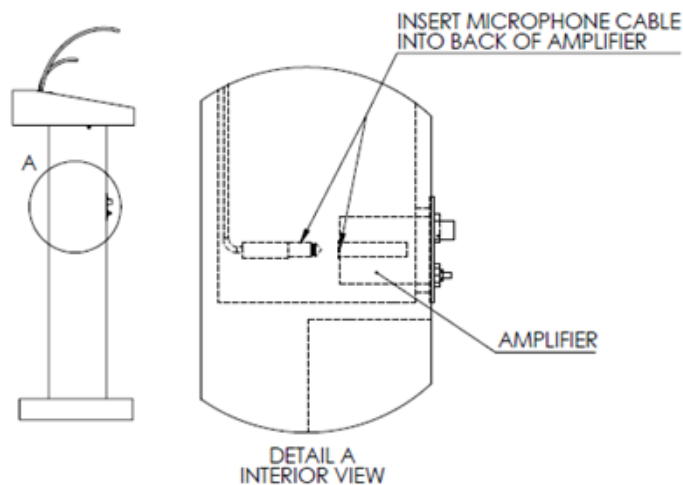
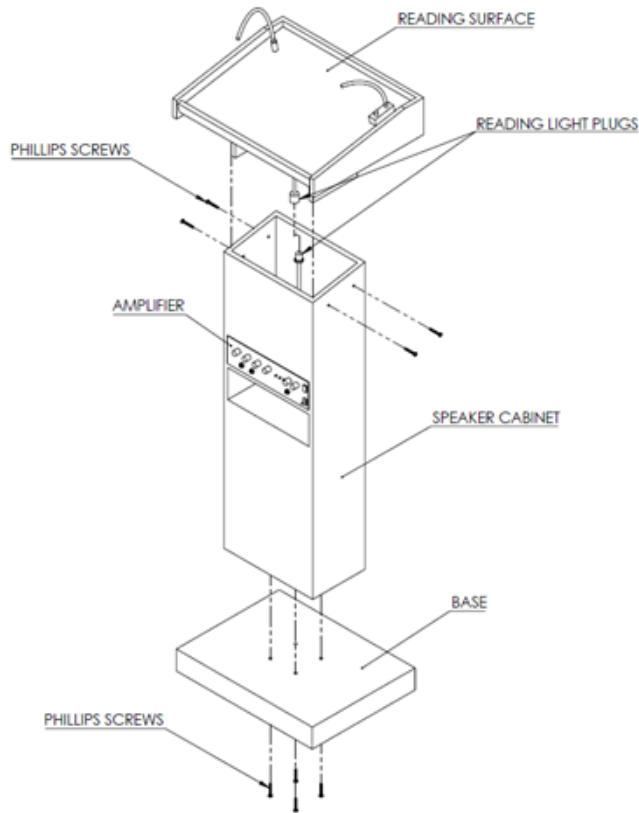
Assembly Instructions 5

Amplifier Control Panel — Features 6

Amplifier Operating — Instructions 7

Technical Specifications 8

Optional Equipment 8



ASSEMBLY DIAGRAM

ASSEMBLY INSTRUCTIONS

Parts

- (1) Reading Desk
- (1) Speaker Cabinet
- (1) Base Section
- (4) 1 ¼" Phillips Bolts
- (4) Phillips Screws

Tools Required

Phillips-Head Screwdriver.

Assembling Instructions

- 1) Place base section (with casters) upside down and line up the bolt holes to match with speaker cabinet holes. Insert and tighten the four (4) Phillips bolts.
- 2) Turn cabinet with base right-side up.
- 3) Insert reading surface into column of unit. Connect reading light wires to plastic receiver on amplifier. Connect microphone cable to back of amplifier. Top front end should be facing as speakers do.
- 4) Once all the wiring is properly connected, use the (4) provided screws and attach the reading surface in place. Screw the (4) screws through the pre-drilled holes located on the upper portion of both sides of the speaker cabinet. Two on each side.
- 5) Install gooseneck microphone into XLR Input located on reading surface.

Connection for Optional Battery

White cable from battery cord goes to Positive (+); Brass to Negative (-).

IMPORTANT do not reverse!

TECHNICAL SPECIFICATIONS

Power Output	30 Watts
Microphones	<ul style="list-style-type: none"> • 20" Gooseneck • Tie Clip/Lavalier type with 10' Cable
Speakers	Four 8" Full range
Inputs	Three Mic; One Aux
Outputs	8 Ohm for additional Speaker & recording
Power Supply	117 Volt AC; 12V DC with optional battery
Wireless Frequency	657.2MHz & 662.6MHz.