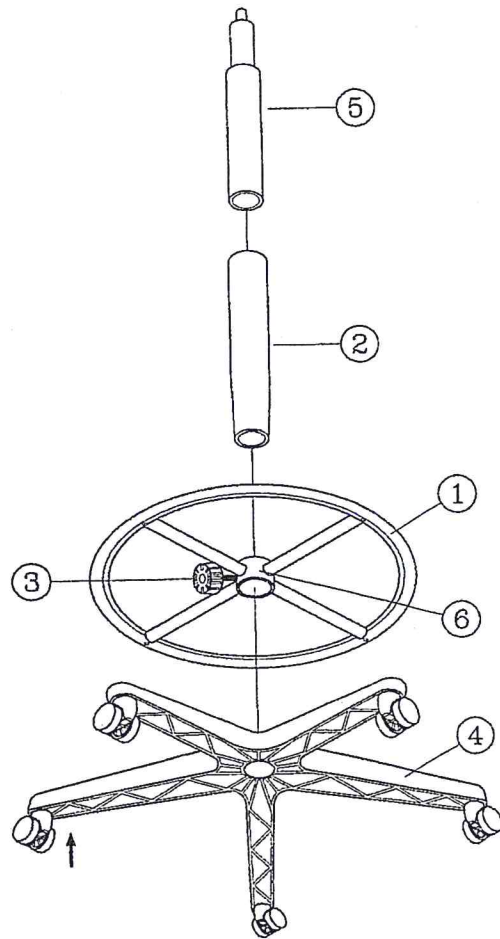
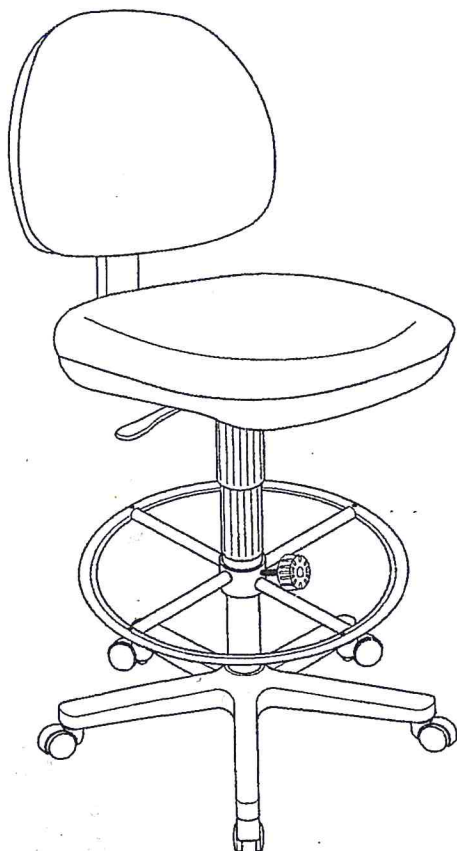


ASSEMBLY INSTRUCTION

Remove all items from the carton . Verify all pieces before assembly.

PART LIST

KEY	QTY	DESCRIPTION
1	1	Footring
2	1	Extension Tube
3	1	Footring Height Adjustment Knob
4	1	Base
5	1	Seat Post
6	1	Round Plastic Liner



- Place upper assembled part of your chair on (5) seat post.
- (1) footring is now ready to lock at any position on (2) extension tube with (3) footring height adjustment knob.

Assembly Instructions

1. Slide (1) footring onto (2) extension tube.
2. Insert tapered end of (2) extension tube into (4) Base.
3. Put (5) seat post into (2) extension tube.
4. For chair bases that may have thicker center posts or upright stems , it may be necessary to remove the (6) round plastic liner from the inner center ring to accommodate footring.

PREVENTIVE MAINTENANCE AND WARNING!

- USE THIS PRODUCT ONLY FOR SEATING ONE PERSON AT A TIME.
- DO NOT USE THIS CHAIR AS A STEP STOOL / LADDER.
- DO NOT SIT ON ANY PART OF THE CHAIR EXCEPT THE SEAT.
- DO NOT USE CHAIR ON UNEVEN FLOOR SURFACES.
- DO NOT USE CHAIR UNLESS ALL BOLTS , SCREWS AND KNOBS ARE TIGHT . AT LEAST EVERY SIX MONTHS , CHECK ALL BOLTS , SCREWS AND KNOBS TO BE SURE THEY ARE TIGHT.
- IF ANY PARTS ARE MISSING , BROKEN , DAMAGED OR WORN , STOP USE OF THE PRODUCT UNTIL REPAIRS ARE MADE USING FACTORY AUTHORIZED PARTS.
- DISPOSE OF PACKAGING PROPERLY . PLASTIC BAG IS NOT A TOY . DO NOT USE PLASTIC BAG AS HEAD COVERING - IT MAY CAUSE SUFFOCATION.
- FAILURE TO FOLLOW THESE WARNINGS COULD RESULT IN SERIOUS INJURY .

SK1 / SK7 / SK3