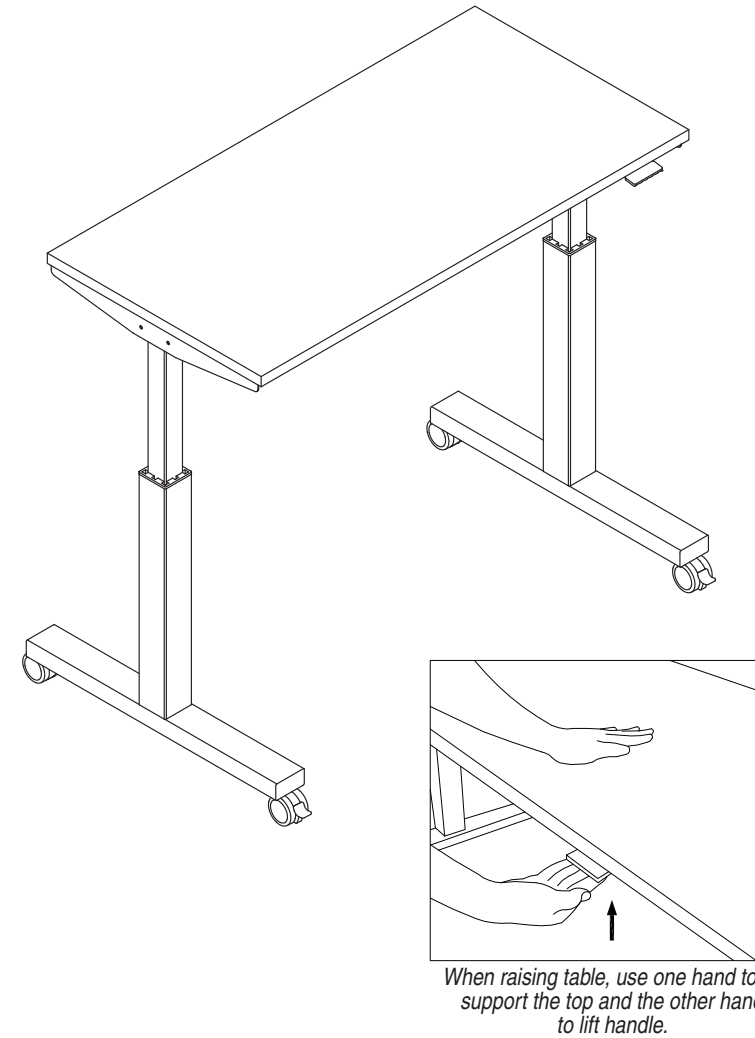




PHAT PNEUMATIC HEIGHT ADJUSTABLE TABLES OPERATING INSTRUCTIONS

48" x 24" = 842T24 + HB6024
60" x 24" = 842T25 + HB6025
72" x 24" = 842T26 + HB6026



When raising table, use one hand to support the top and the other hand to lift handle.

FEATURES

- 13" height adjustable work surface.
- 1" thick laminate top.
- Locking casters.

WARNING

- Use this product only one person at a time.
- Use this product for its intended purpose.
- Do not put any item on top when raising/lowering the top.
- When top is in a resting position, the maximum weight of all items on top is 165lbs.
- Do not stand on product.
- Do not use this product as a step stool or ladder.
- Do not use product unless all metal fasteners are tight. At least every six months, check all fasteners and joints to ensure they are tight.
- Do not modify product in any way.
- If any parts are missing, broken, damaged or worn, stop use of the product until repairs are made using factory authorized parts.
- Dispose of packing material properly. Do not use any packing materials as head covering. It may cause suffocation.
- Failure to follow these warnings could result in serious injury.

NOTE: Be sure to lift handle *completely* when raising / lowering table. Failing to do so may cause noise in height adjustment mechanism.

OSP FURNITURE LIMITED WARRANTY

PHAT tables are warranted from the date of purchase against failure due to material and workmanship as follows:

- 3 years from the date of purchase.

Grain, color and finishes

Variation of grain and color are natural, inherent characteristics of wood, a living material. This variation is part of the beauty of real wood and anticipated in wood veneer furnishings. Therefore, Proline II furniture is not warranted to match in grain or color or texture. It is a natural phenomenon for wood grain to change in color as it ages, and wood finishes are not warranted for colorfastness.

To make a warranty claim, contact Parts Department. Provide model number, proof of purchase, description of the problem and obtain return authorization. At it's option Office Star Products will:

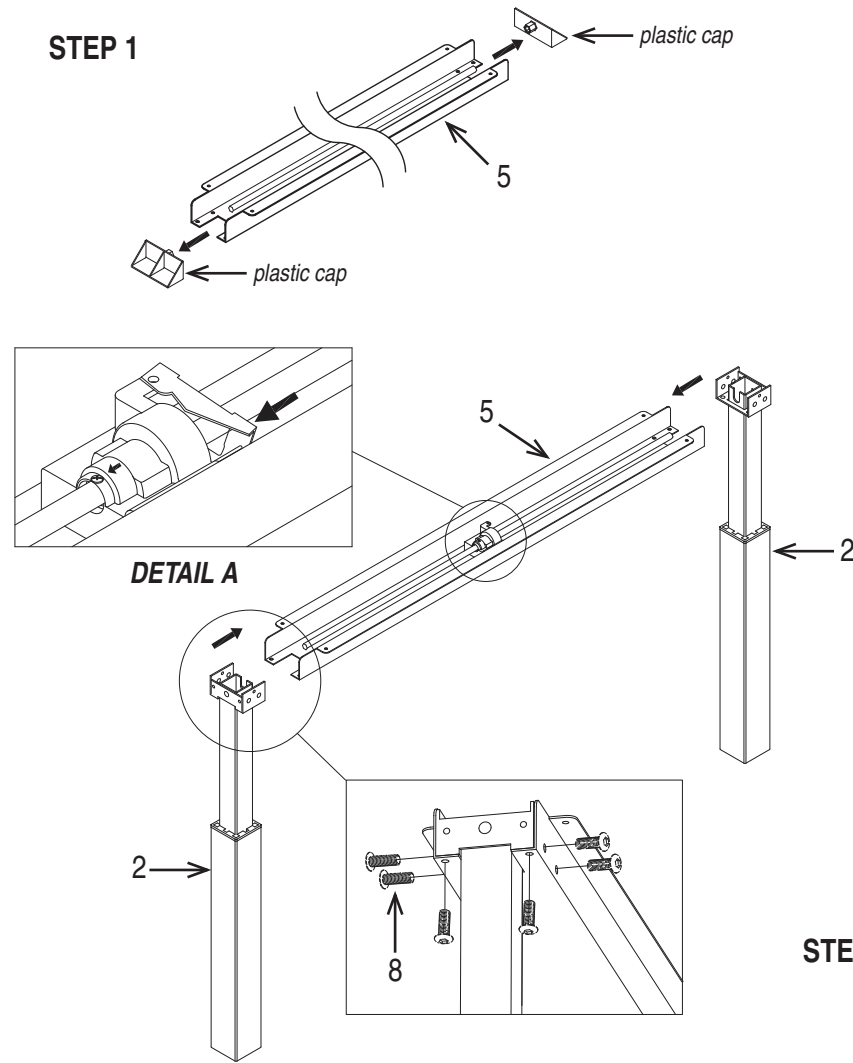
- (a) Supply compatible components of current manufacture.
- (b) Repair the customer's component. The customer must prepay freight on any components returned to the factory. Return freight on components still in warranty will be paid by Office Star Products.

Our quality standards are among the highest in the industry. Sometimes, no matter how hard we try, there are times when parts are damaged or missing. Our Parts Department will do everything possible to promptly remedy the problem. Contact us via e-mail parts@officestar.net, by Fax 1-909-930-5629, or toll free parts number 1-800-950-7262, Monday through Friday 8:00 a.m. - 5:00 p.m. Pacific Time.



PHAT PNEUMATIC HEIGHT ADJUSTABLE TABLES ASSEMBLY INSTRUCTIONS

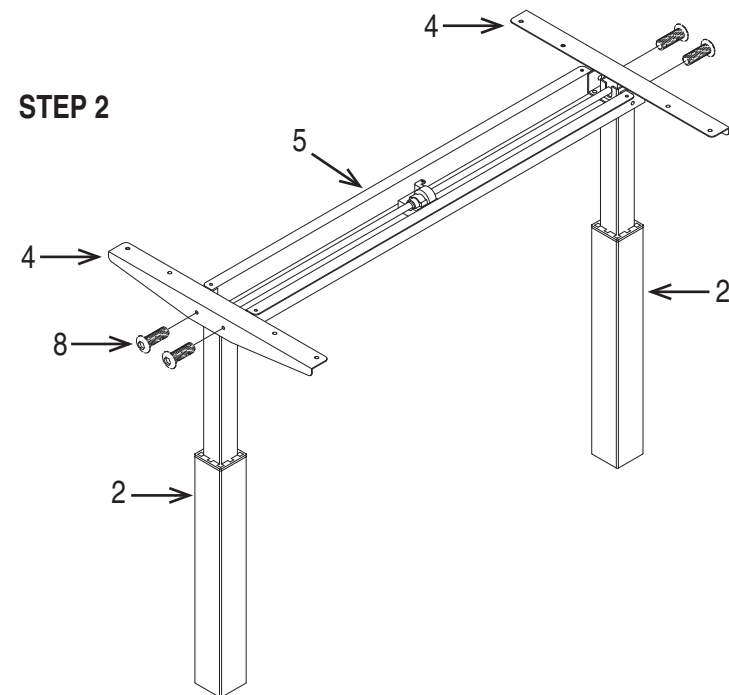
STEP 1



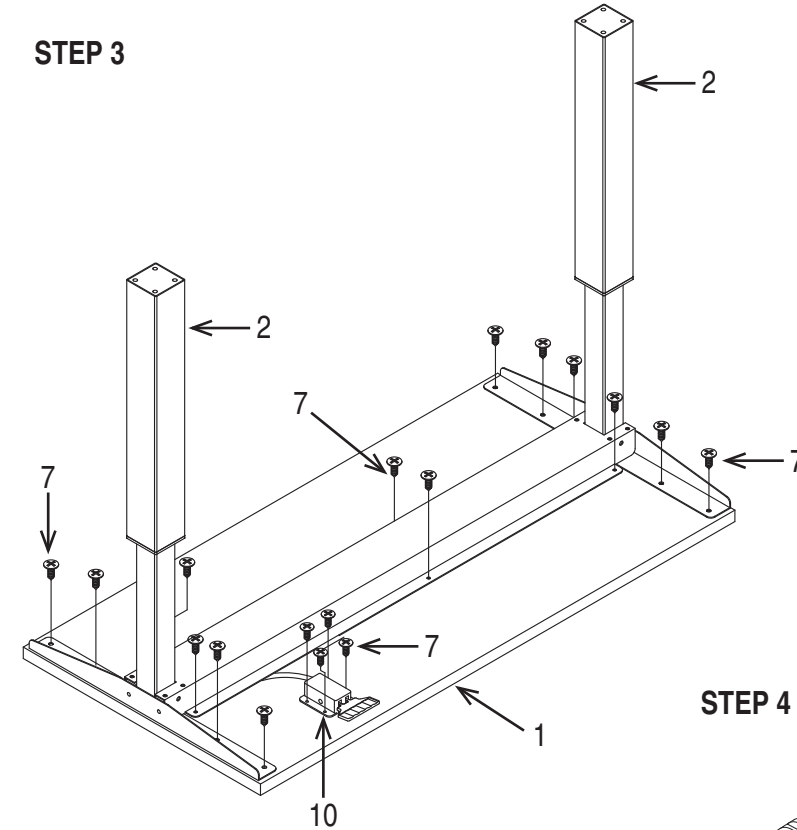
PART	QTY
1. Table Top	1
2. Leg Post	2
3. Foot	2
4. Top Support	2
5. Channel	1
6. Caster	1
7. Short Screw	18
8. Medium Bolt	16
9. Long Bolt	8
10. Height Adjustment Lever	1
11. Allen Wrench (not shown)	1
12. Key Wrench (not shown)	1

Phillips screwdriver also needed for assembly (not provided)

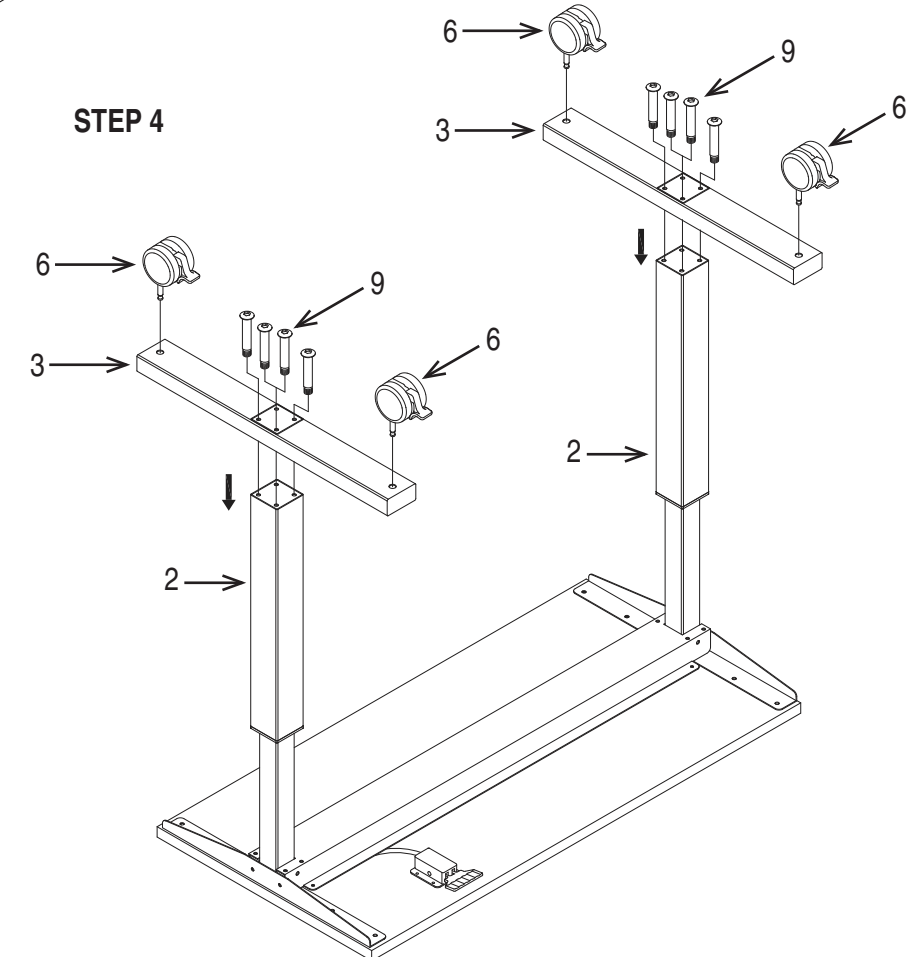
STEP 2



STEP 3



STEP 4



Remove all the parts from carton, separate them into part numbers indicated on the list and make sure part quantities are correct.
STEP 1 Remove plastic caps from ends of Channel (5). Attach Channel (5) between Leg Posts (2). To align rod with Leg Posts (2), squeeze lever to turn rod into position. **SEE DETAIL A.** Secure Leg Posts (2) to Channel (5) using six Medium Bolts (8) for each Leg Post (2). **DO NOT FULLY TIGHTEN BOLTS.**
Note: You can slightly angle Leg Posts (2) to assist in aligning screw holes with holes in Channel (5).
STEP 2 Attach Top Supports (4) to Leg Posts (2) using two Medium Bolts (8) for each Leg Post (2). **FULLY ALL BOLTS USING ALLEN WRENCH (11).**

STEP 3 Attach Leg Post (2) assembly to Table Top (1) using fourteen Short Screws (7). **FULLY TIGHTEN SHORT SCREWS (7).** Attach Height Adjustment Lever (10) to Table Top (1) using four Medium Screws (7). **FULLY TIGHTEN SHORT SCREWS (7).**
STEP 4 Attach Feet (3) to Leg Posts (2) using four Long Bolts (9) for each Foot (3). **FULLY TIGHTEN LONG BOLTS (9).** Screw in two Casters (6) into each Foot (3). **FULLY TIGHTEN CASTERS (6) USING KEY WRENCH (12).**
ATTENTION: MAKE SURE ALL BOLTS, SCREWS & CASTERS ARE FULLY TIGHTENED BEFORE USING TABLE.