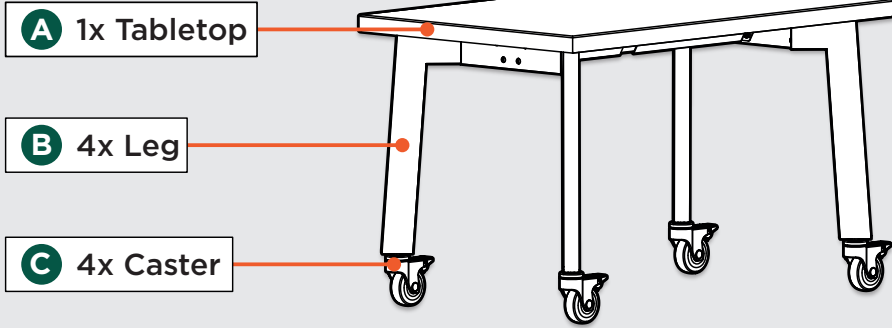
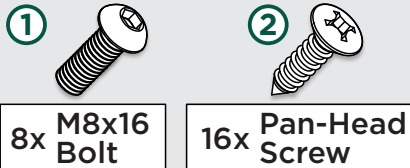




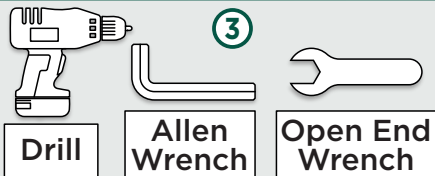
TABLE COMPONENTS



INCLUDED HARDWARE

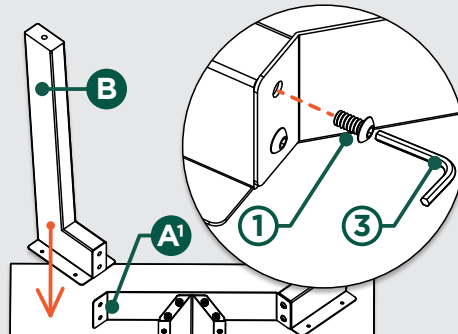


TOOLS FOR ASSEMBLY



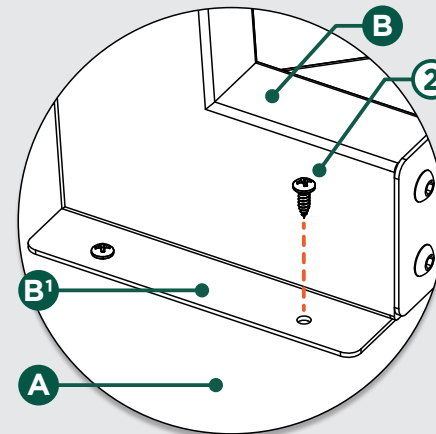
1 Place the Tabletop **A** on a clean, flat surface with the frame facing upwards.

2 To install each Leg **B** align the two holes **B** of the Leg with the two holes of the Tabletop Frame **A**, secure it with two M8x16 Bolts **1** using allen wrench **3**.



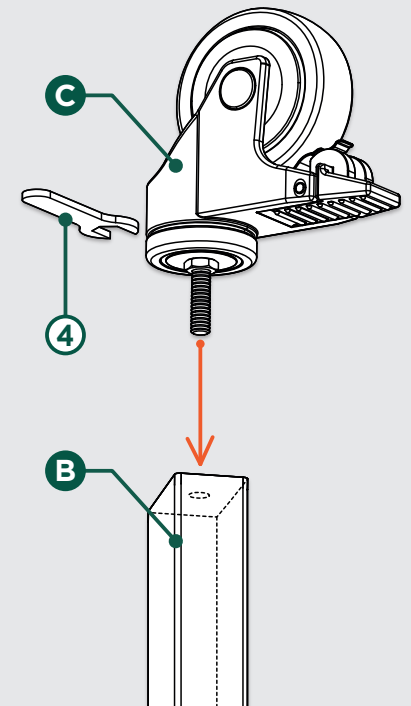
! Ensure that all bolts are fastened tightly.

3 To complete the Leg installation, secure each Leg **B** using four Pan-Head Screw **2** through the Leg Plate **B¹** to the Tabletop **A**.



! Double check all bolts and screws to be tightened securely before use. Check all bolts and screws periodically. Failure to completely tighten the bolts and screws may result in tipping and possible injury!

4 Install each Caster **C** into the end hole of each Leg **B**. Swivel and tighten the Caster in place using an Open End Wrench.



Congratulations, your table is now assembled and ready to be used!

Dear Customer, Thank you for your purchase. Although extreme care goes into manufacturing & packaging of this product, mistakes are possible. If you encounter any missing parts or difficulty in assembly, please contact our customer service Toll Free at 1-800-261-4112 or info@nationalpublicseating.com for courteous & immediate resolution to your problem.