



CoGo

Mobile Tablet Chair

Assembly Instructions



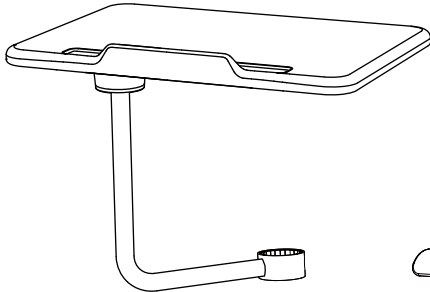
Dear Customer,

Thank you for your purchase.

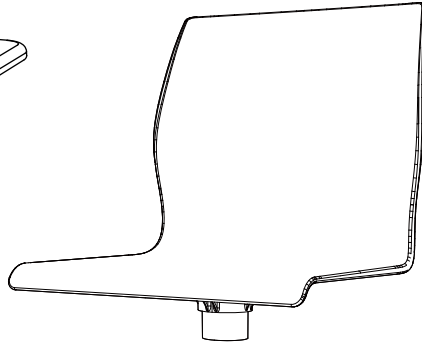
Although extreme care goes into manufacturing & packaging of this product, mistakes are possible. If you encounter any missing parts or difficulty in assembly, etc. please call our customer service TOLL FREE at 1-800-261-4112 or email service@nationalpublicseating.com for courteous & immediate resolution to your problem.

Parts List

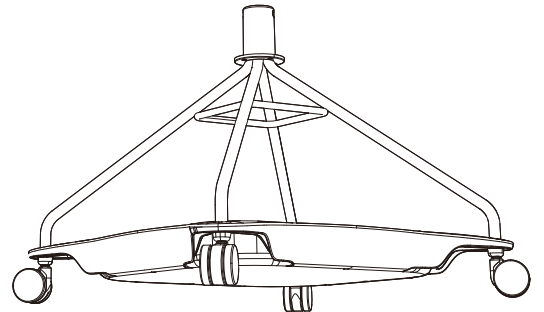
A Tablet Structure



B Shell Structure



C Chair Base Structure



D

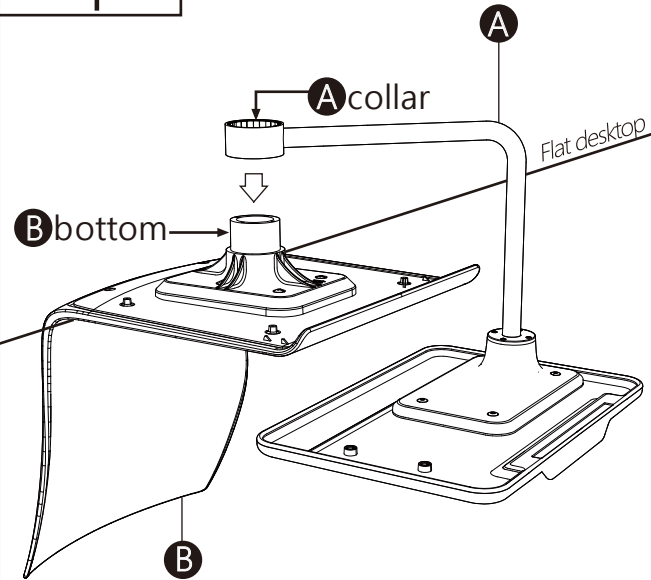
 M3X10
Screws x 4

E



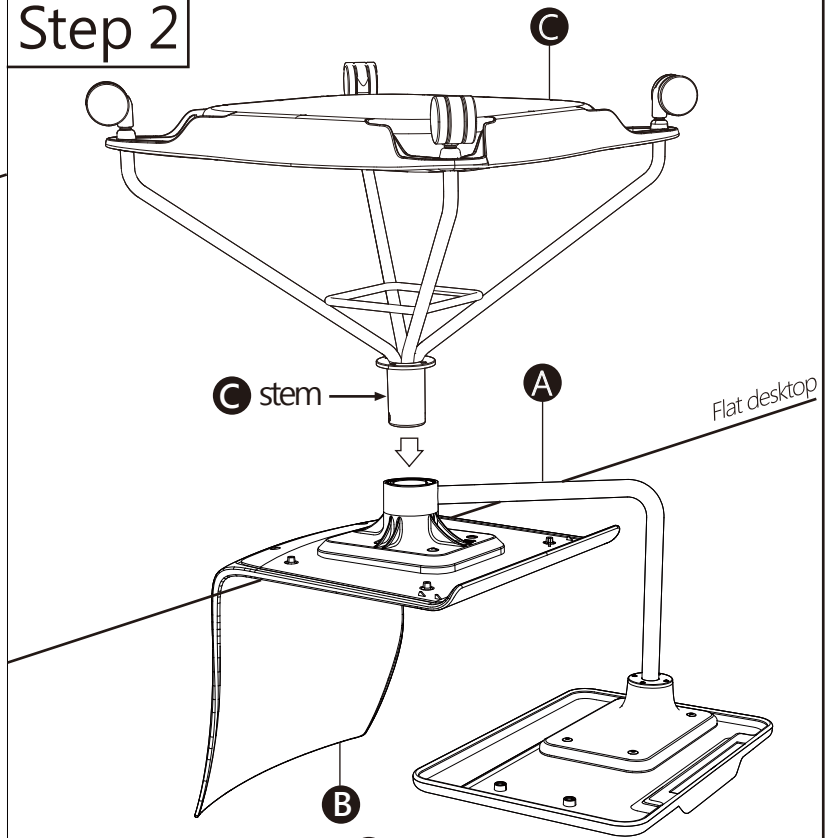
Allen Wrench x 1

Step 1



Face part **B** downward, and place it on a flat surface. Put the part **A** collar vertically onto the Part **B** bottom cover.

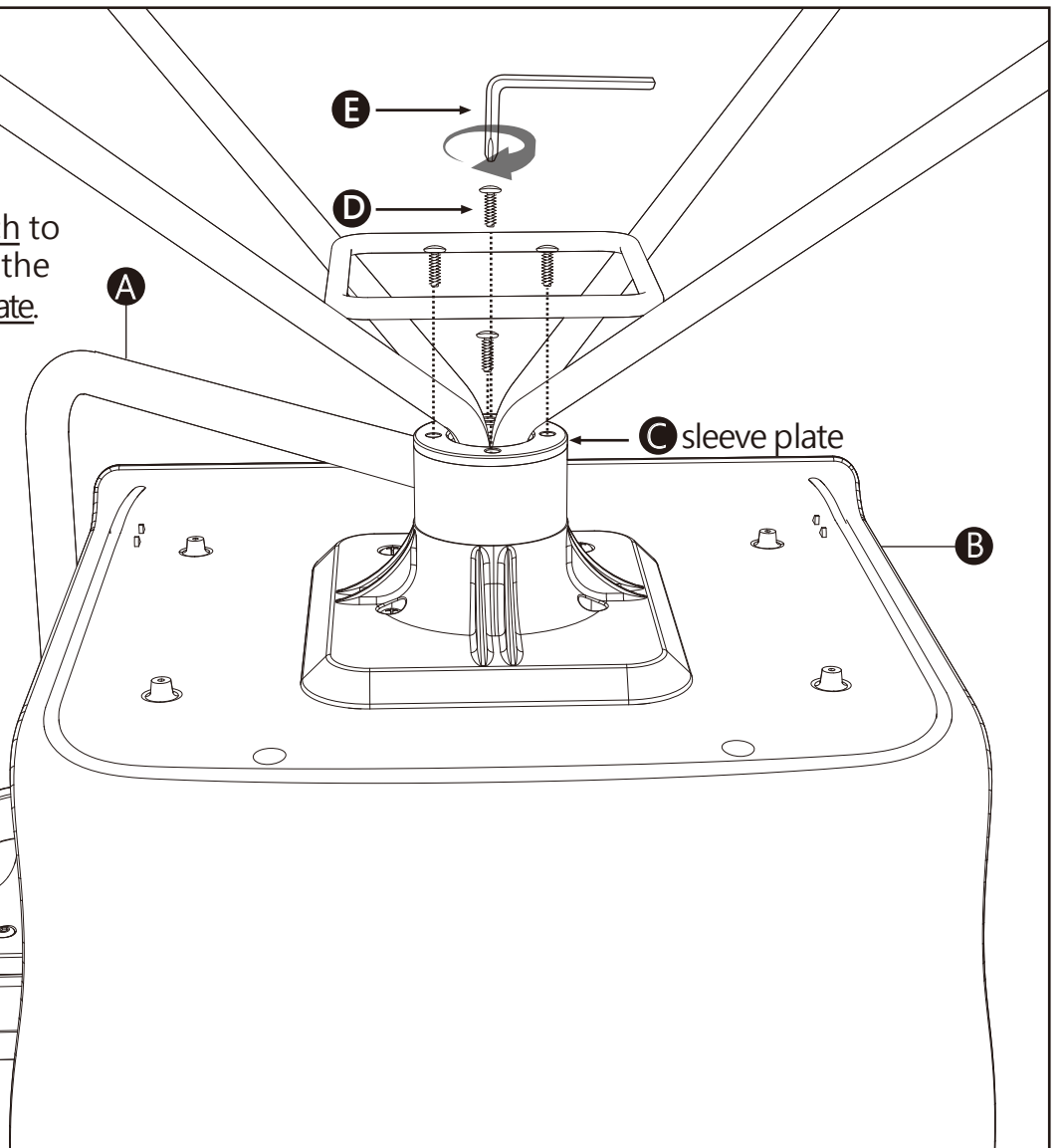
Step 2



Insert the stem of Part **C** into the assembled parts from Step 1.

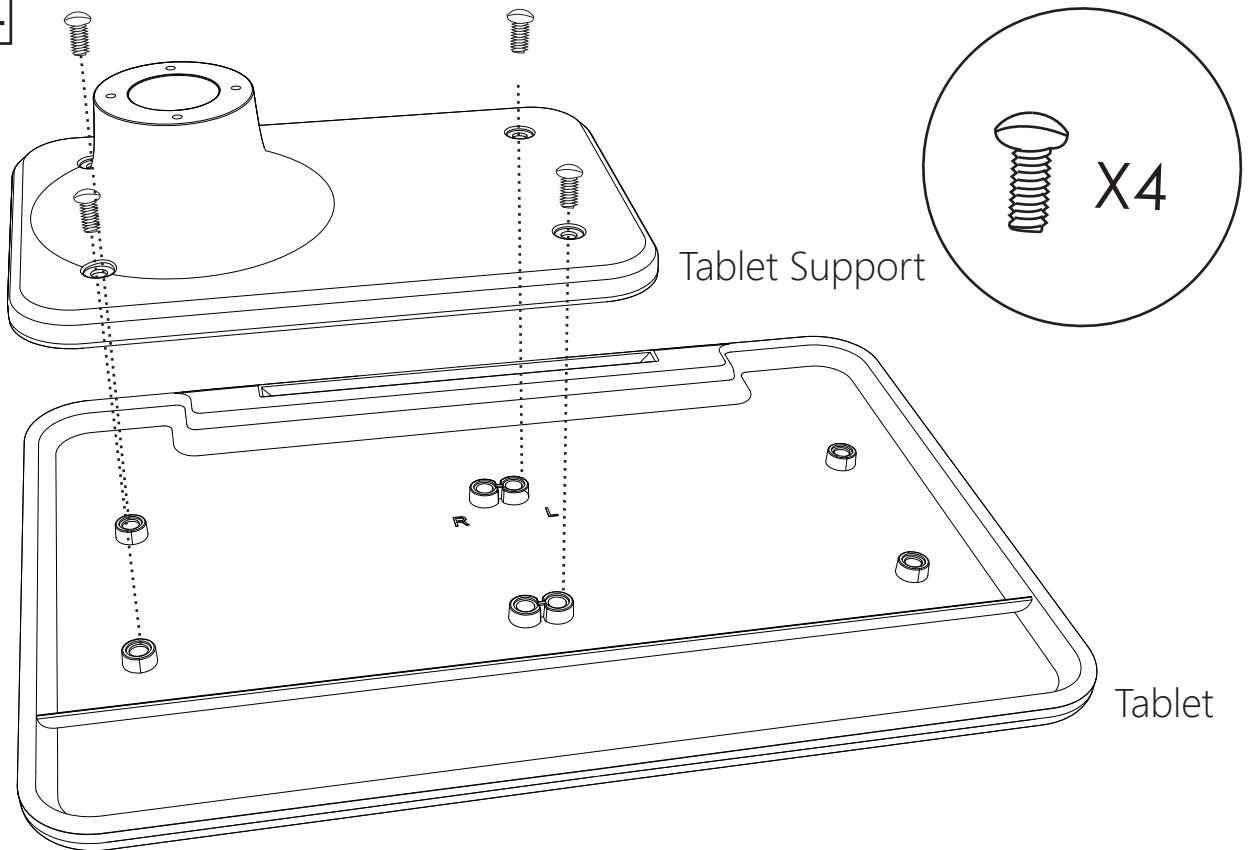
Step 3

Use the Part **E** allen wrench to fasten the Part **D** screws to the holes on the Part **C** sleeve plate.



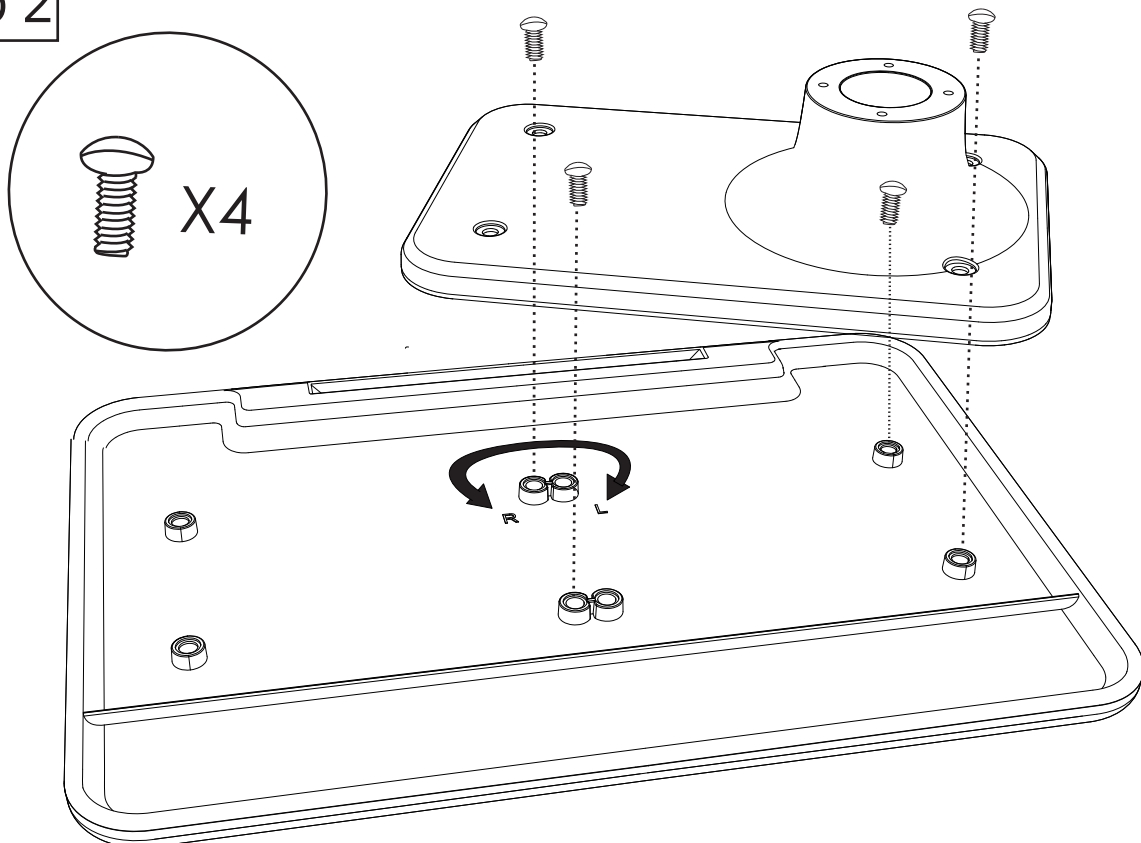
Adjusting the Tablet for Left-Handed Use

Step 1



Using the allen wrench, remove the 4 screws attaching the tablet support mount to the underside of the tablet.

Step 2



Rotate the tablet support mount from R or L and fasten it to the underside of the tablet using the 4 screws.