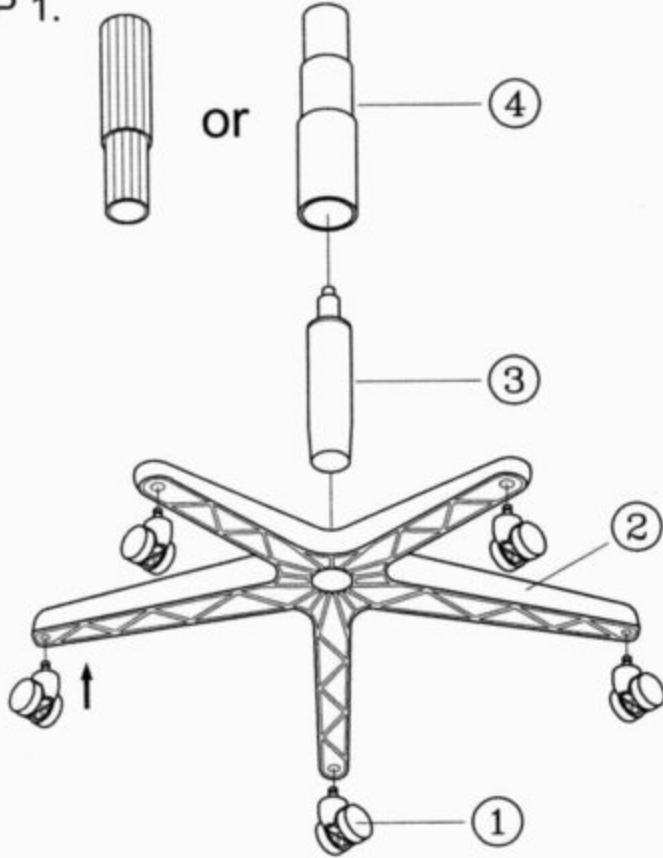


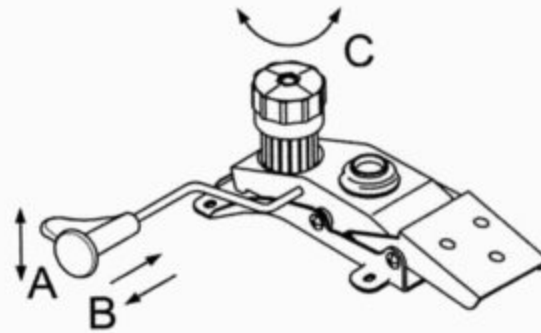
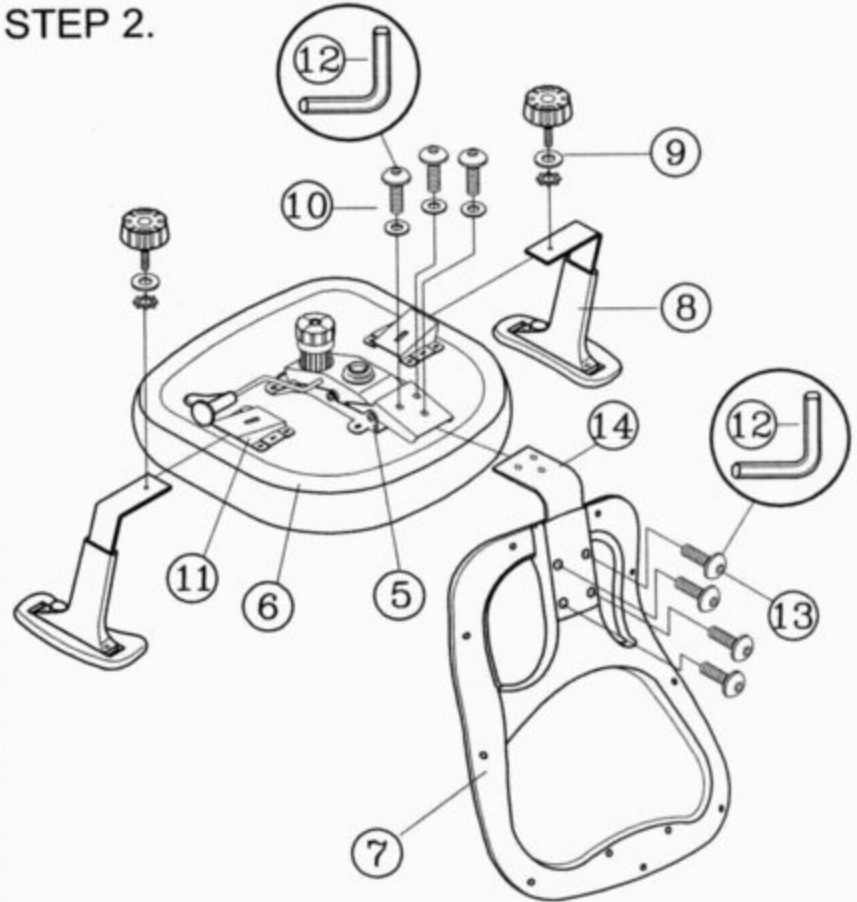
## PART LIST

KEY QTY	DESCRIPTION	KEY QTY	DESCRIPTION	KEY QTY	DESCRIPTION
1	5	Caster	7	1	Backrest
2	1	Base	8	2	Armrest
3	1	Seat Post	9	2	Arm Width Adjustment Knob + Washers
4	1	Seat Post Cover	10	3	Mechanism Bracket Screw + Washer(8*20mm)
5	1	Mechanism	11	2	Arm Bracket
6	1	Seat	12	1	M5 Size Allen Wrench
			13	4	Backrest Screw (8*25mm)
			14	1	Back bar

### STEP 1.



### STEP 2.



### **MECHANISM OPERATING INSTRUCTION WHILE SEATING :**

- (A) **SEAT HEIGHT ADJUSTMENT :**  
Pull lever up and downward . Release lever when desired position is reached.
- (B) **BACK TILT ADJUSTMENT :**  
Pull lever horizontally . Move backrest to tilt . To lock in upright position , push lever in.
- (C) **TILT TENSION ADJUSTMENT KNOB :**  
Rotate knob clockwise / counterclockwise to adjust tilt tension based on body weight.

### **PREVENTIVE MAINTENANCE AND WARNING!**

- USE THIS PRODUCT ONLY FOR SEATING ONE PERSON AT A TIME.
- DO NOT USE THIS CHAIR AS A STEP STOOL / LADDER.
- DO NOT SIT ON ANY PART OF THE CHAIR EXCEPT THE SEAT.
- DO NOT USE CHAIR ON UNEVEN FLOOR SURFACES.
- DO NOT USE CHAIR UNLESS ALL BOLTS, SCREWS AND KNOBS ARE TIGHT. AT LEAST EVERY SIX MONTHS, CHECK ALL BOLTS, SCREWS AND KNOBS TO BE SURE THEY ARE TIGHT.
- IF ANY PARTS ARE MISSING, BROKEN, DAMAGED OR WORN, STOP USE OF THE PRODUCT UNTIL REPAIRS ARE MADE USING FACTORY AUTHORIZED PARTS.
- DISPOSE OF PACKAGING PROPERLY. PLASTIC BAG IS NOT A TOY. DO NOT USE PLASTIC BAG AS HEAD COVERING - IT MAY CAUSE SUFFOCATION.
- FAILURE TO FOLLOW THESE WARNINGS COULD RESULT IN SERIOUS INJURY.